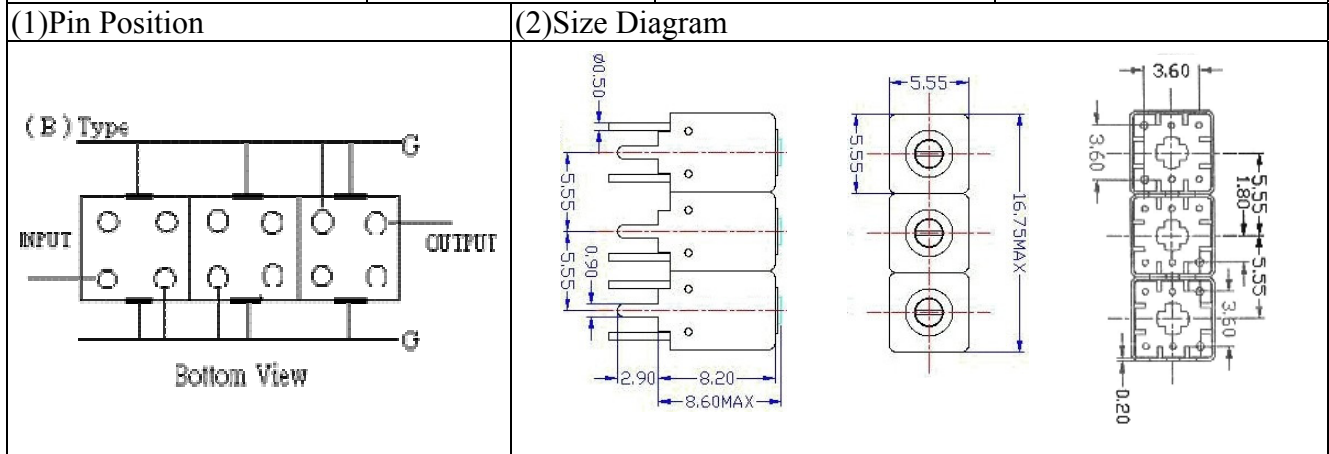
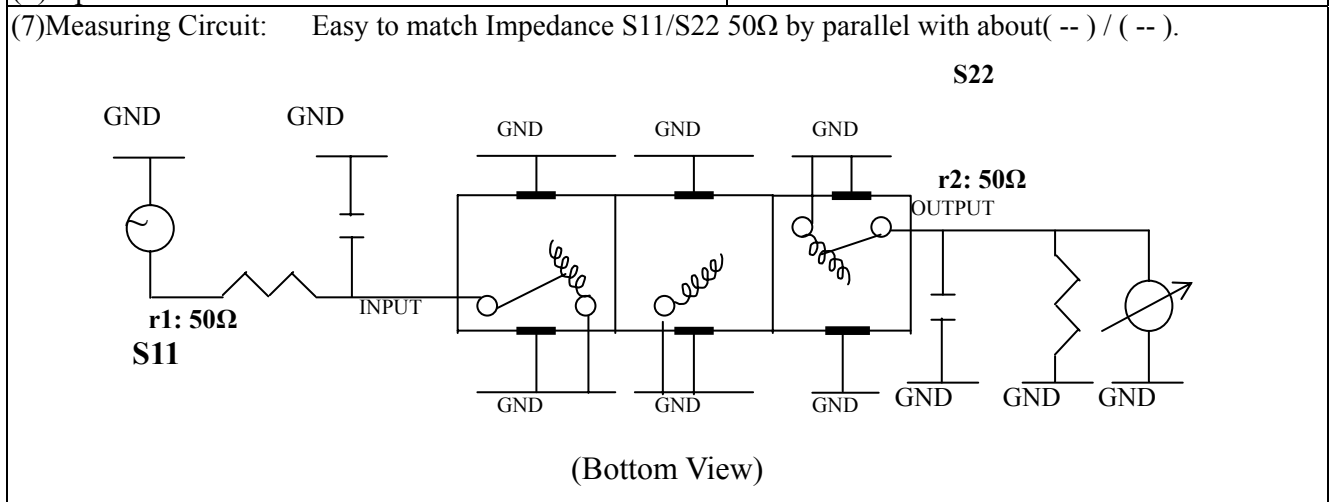


VHF UHF Helical Filter Specification Sheet

Customer Name		Temwell's Part No.	TTW3684B-915M
Approval No. /dated	201107080CD	Temwell's Print Name.	3684B 915M
Work Instruction No.	201107080CD	Date	Oct.31.2011



(3) Electric Character	
Item	Specify
Center Freq.(Fo) +/- 0.5 %	915 MHz
Insertion Loss	Typ. 3.5 dB
-3 dB Bandwidth	Typ. 25 MHz
Sensitivity (Attenuation)	Fo - 100 MHz Typ. 42 dBc
	Fo + 100 MHz Typ. 32 dBc
	Fo - ()MHz Typ. dBc
	Fo +()MHz Typ. dBc
Return Loss	Min. 12 dB
Ripple	< 1 dB
Impedance	In / Out : 50 Ω
(4) Torque for Tuning Screw	
> 60gf cm	
(5) Temperature Condition:	
Operating Temperature	0 ~ +60
Storage Temperature	-20 ~ +70
(6) Input Power	
> 0.5Watt	

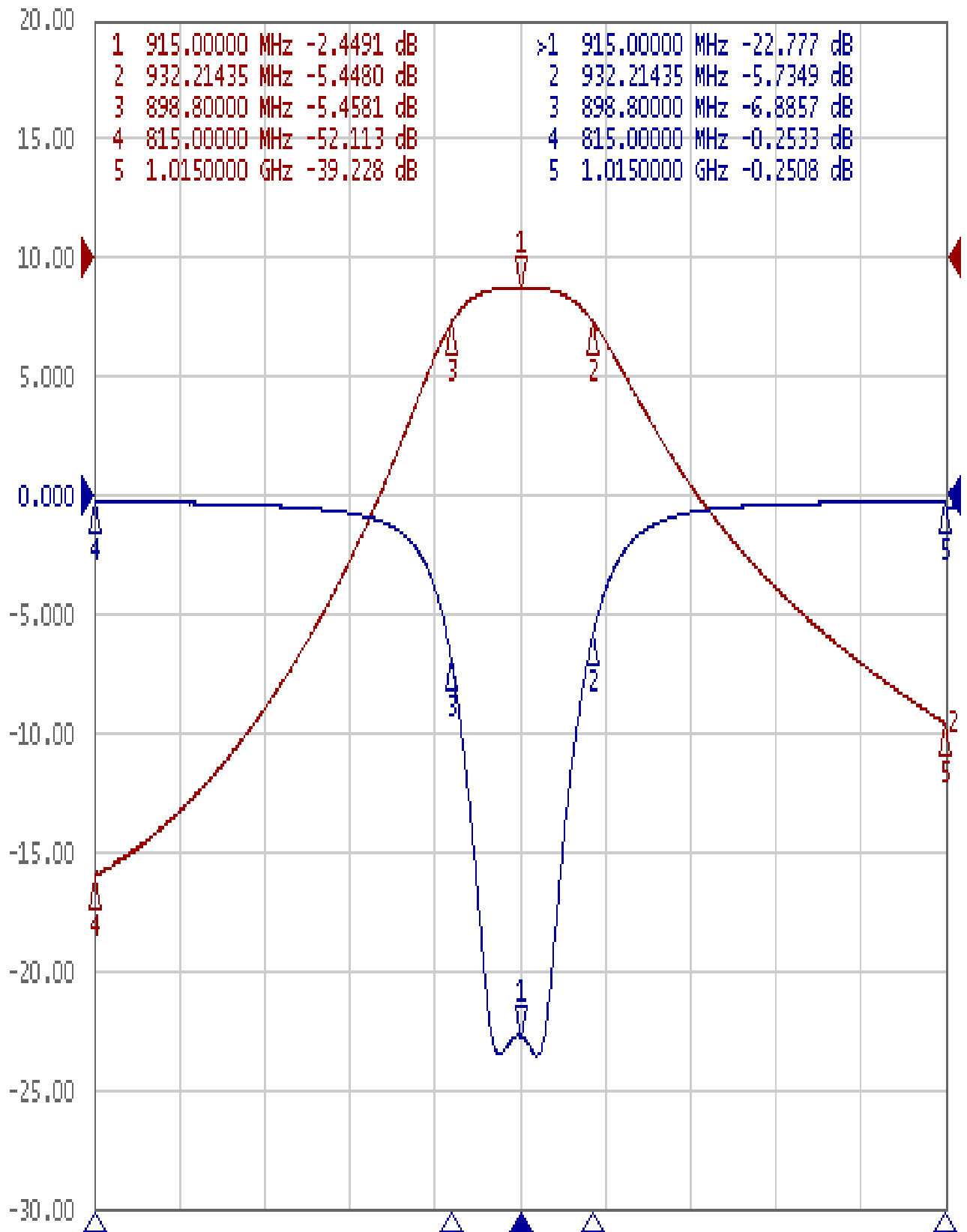


Approval C.Y.Chang	Supervisor C.K.Chang	Designer F.L.Lai	Aperture size 5W3S(3.8*4.0)(4.06) 5HW024RB3
TEMWELL CORPORATION			

Performance-TTW3684B-915M

201107080CD

▶ Tr1 S11 Log Mag 5.000dB/ Ref 0.000dB [F2]
Tr2 S21 Log Mag 10.00dB/ Ref 0.000dB [F2]



1 Center 915 MHz

IFBW 10 kHz

Span 200 MHz Cor !