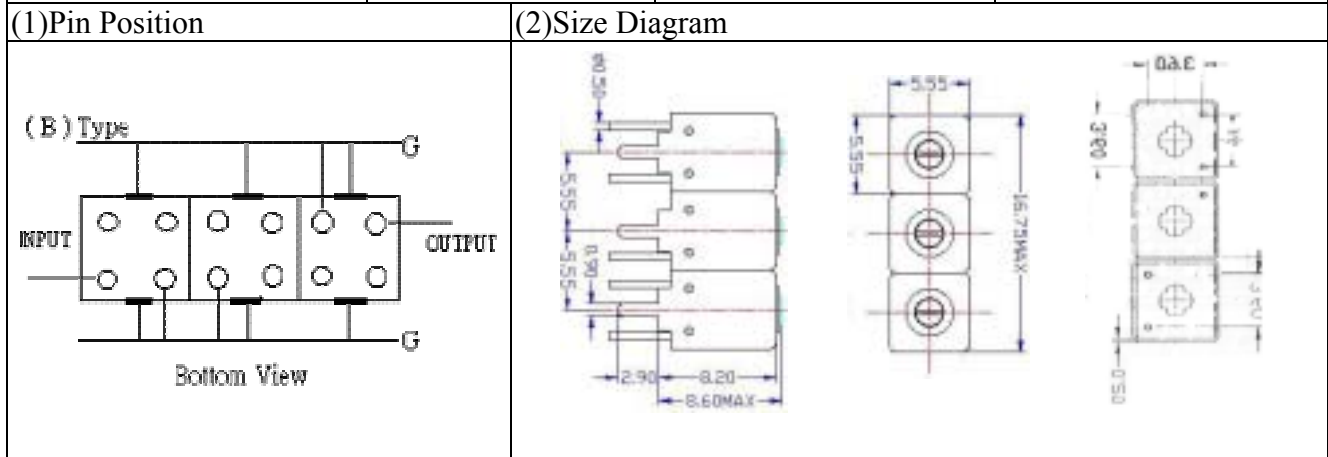
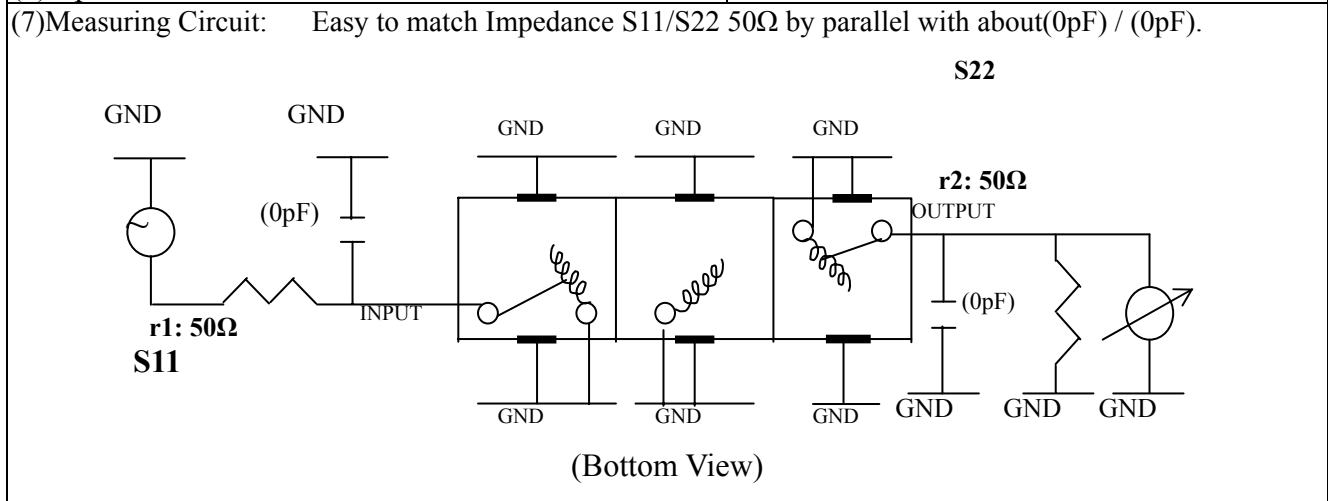


# VHF UHF Helical Filter Specification Sheet

Customer Name		Temwell's Part No.	TTW3739B-1275M
Approval No. /dated	0808101APR	Temwell's Print Name.	3739B 1275M
Work Instruction No.	200906006A	Date	Jun.15.2009



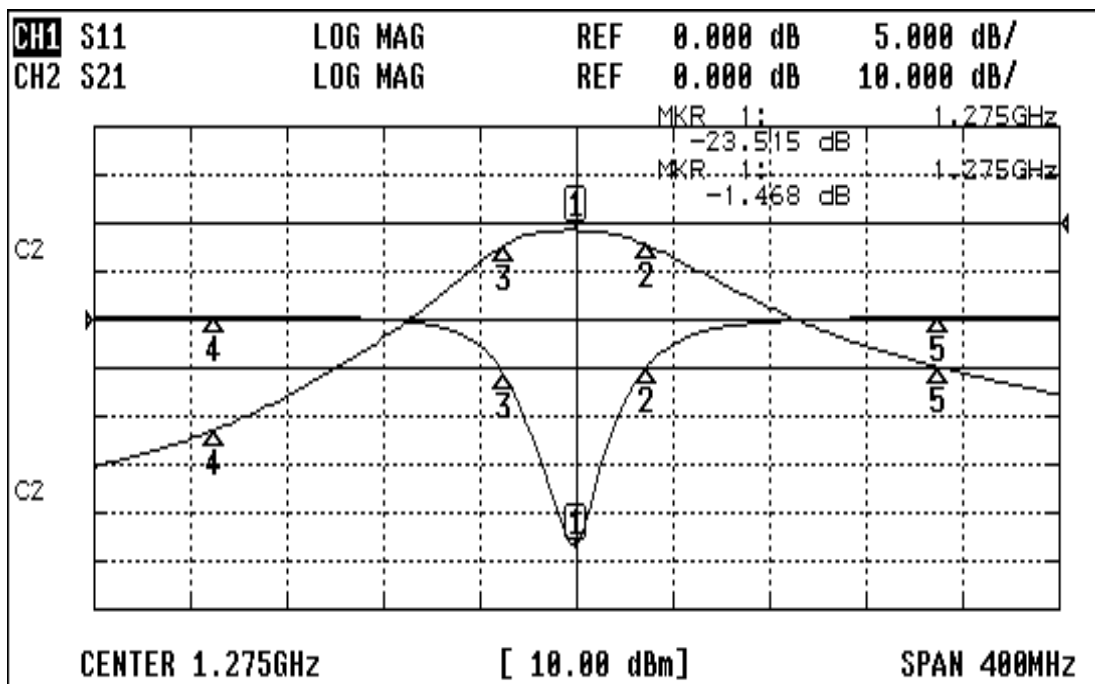
(3) Electric Character			
Item		Specify	
Center Freq.(Fo) +/- 0.75 %		1275	MHz
Insertion Loss	Typ.	3.0	dB
-3 dB Bandwidth	Typ.	50	MHz
Sensitivity (Attenuation)	Fo - 150 MHz	Typ.	38 dBc
	Fo +150 MHz	Typ.	26 dBc
	Fo - ( )MHz	Typ.	dBc
	Fo +( )MHz	Typ.	dBc
Return Loss	Min.	12	dB
Ripple		< 1	dB
Impedance		In / Out : 50 Ω	
(4) Torque for Tuning Screw > 60gf cm			
(5) Temperature Condition:			
Operating Temperature		-30 ~ +70	
Storage Temperature		-30 ~ +80	
(6) Input Power > 0.5Watt			



Approval	Supervisor	Designer	Aperture size
C.Y.Chang	C.K.Chang	W.S.Chen	5W3S(3.8*4.0)(4.05) 5HW046RB3.2

# Performance-TTW3739B-1275M

## 200906006A



### CH1 MARKER LIST

1:	1.275	000GHz	-23.515	dB
2:	1.304	000GHz	-4.475	dB
3:	1.245	000GHz	-5.596	dB
4:	1.125	000GHz	0.417	dB
5:	1.425	000GHz	0.316	dB

### CH2 MARKER LIST

1:	1.275	000GHz	-1.468	dB
2:	1.304	000GHz	-4.475	dB
3:	1.245	000GHz	-4.488	dB
4:	1.125	000GHz	-42.874	dB
5:	1.425	000GHz	-29.762	dB