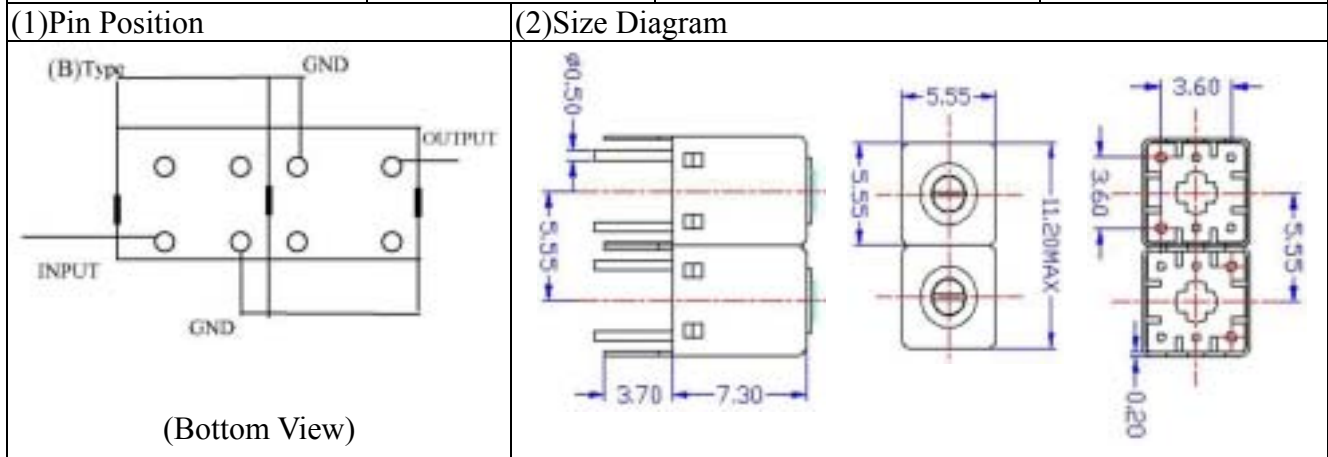
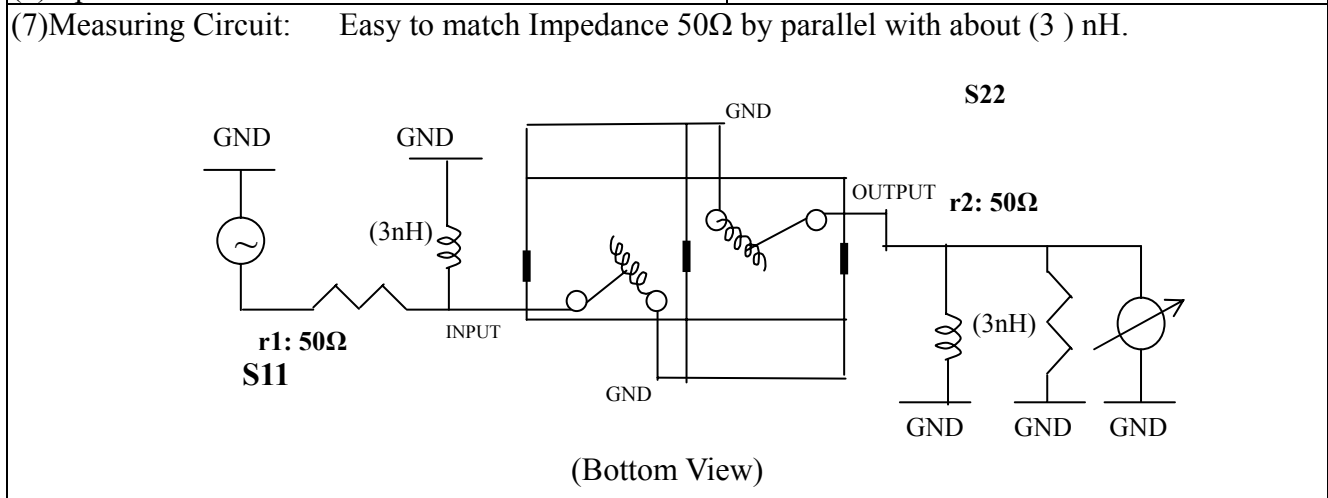


# VHF UHF Helical Filter Specification Sheet

Customer Name		Temwell's Part No.	K2RB-545M-14M
Approval No. /dated	20402129DC	Customer's Part No.	
Work Instruction No.	20402129DC	Date	Mar.04.2004



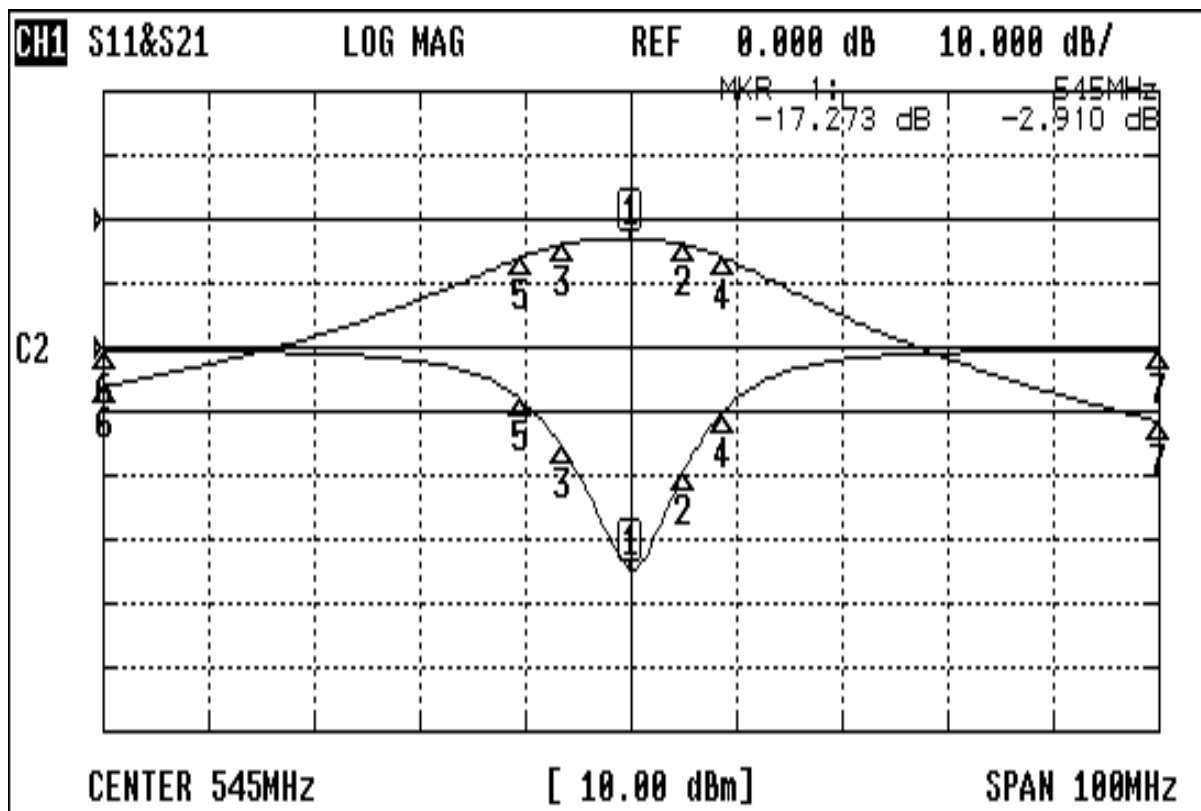
(3) Electric Characteristic	
Item	Specify
Center Freq.(Fo) +/- 0.5 %	545 MHz
Tunable Range: <input checked="" type="checkbox"/> Fo±5MHz    Fo±10MHz    Fo±15MHz	545±5 MHz
Insertion Loss	Typ.. 3.5 dB
-3 dB Bandwidth	Typ. 14 MHz
Sensitivity (Attenuation)	Fo - 50 MHz    Typ. 20 dB
	Fo + 50 MHz    Typ. 24 dB
	Fo - ( )MHz    Typ. dB
	Fo +( )MHz    Typ. dB
Return Loss	Min. 12 dB
Ripple	< 1 dB
Impedance	In / Out : 50 Ω
(4) Torque for Tuning Screw	> 60gf cm
(5) Temperature Condition:	
Operating Temperature	0 ~ +60
Storage Temperature	20 ~ +70
(6) Input Power	> 1Watt



Approval C.Y. CHANG	Supervisor C.S.Chang	Designer Enlan	Aperture size 5R2(3*3.5)(3.71) 5HW024LB3
TEMWELL CORPORATION			

# Performance- K2RB-545M-14M

## 20402129DC



### CH1 MARKER LIST

1:	545.000MHz	-17.278 dB	-2.910 dB
2:	550.000MHz	-9.827 dB	-3.917 dB
3:	538.500MHz	-7.742 dB	-3.937 dB
4:	553.666MHz	-5.098 dB	-5.920 dB
5:	534.583MHz	-4.062 dB	-5.931 dB
6:	495.000MHz	-0.194 dB	-26.005 dB
7:	595.000MHz	-0.195 dB	-31.618 dB
8:			
9:			
10:			