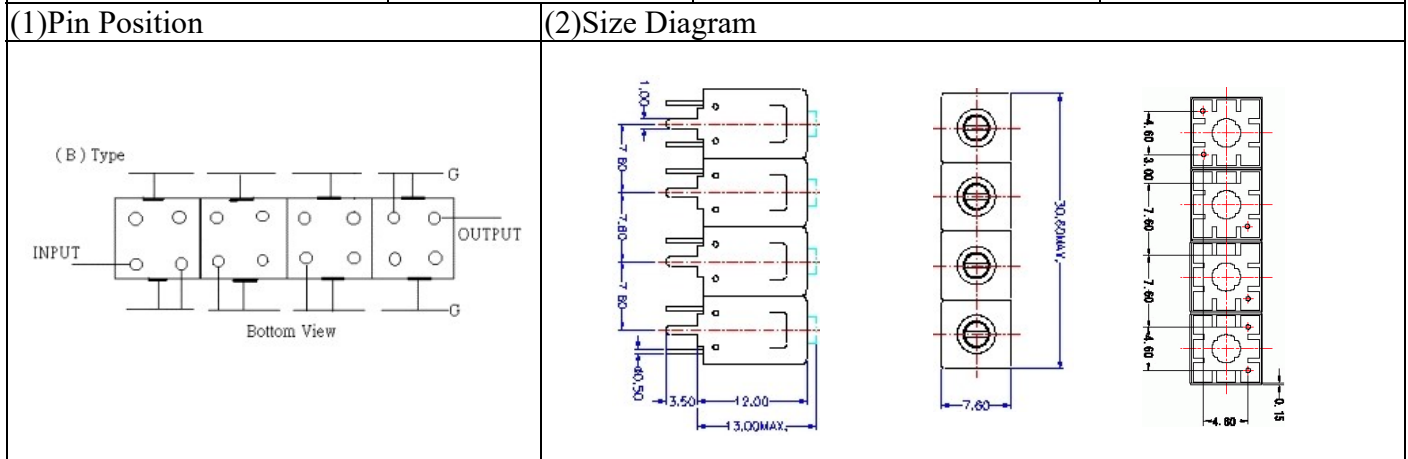


VHF UHF Helical Filter Specification Sheet

Customer Name		Temwell's Part No.	TF64723B-160M
Approval No. /dated	201802050CD	Temwell's Print Name	64723B 160M
Work Instruction No.	201802050CD	Date	Mar.14.2018



(3) Electric Charasteric

Item	Specify	Performance
Center Freq.(Fo) +/- 0.5 %	160 MHz	160 MHz
Insertion Loss	Typ. 7.0 dB	6.07 dB
-3 dB Bandwidth	Typ. 2 MHz	4.0 MHz
Sensitivity (Attenuation)	Fo - (10)MHz	Typ. 53 dBc
	Fo + (10) MHz	Typ. 43 dBc
	Fo - ()MHz	Typ. dBc
	Fo +()MHz	Typ. dBc
Return Loss	Min. 12 dB	20.7 dB
Ripple	< 1 dB	dB
Impedance	In / Out : 50 Ω	In / Out : 50 Ω
(4) Torque for Tuning Screw	> 60gf · cm	

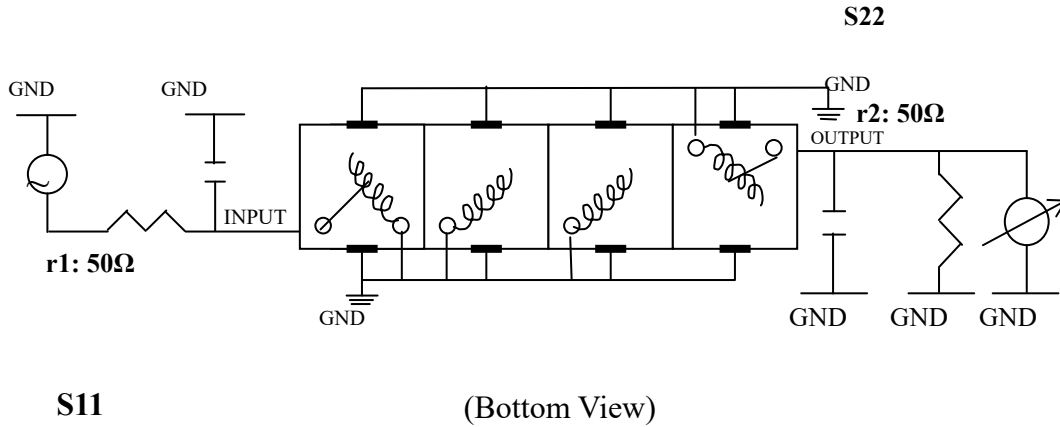
(5) Temperature Condition:

Operating Temperature	0°C ~ +60°C
Storage Temperature	-20°C ~ +70°C

(6) Input Power

> 1Watt

(7) Measuring Circuit: ※Easy to match Impedance S11/S22 50Ω by parallel with about(--)



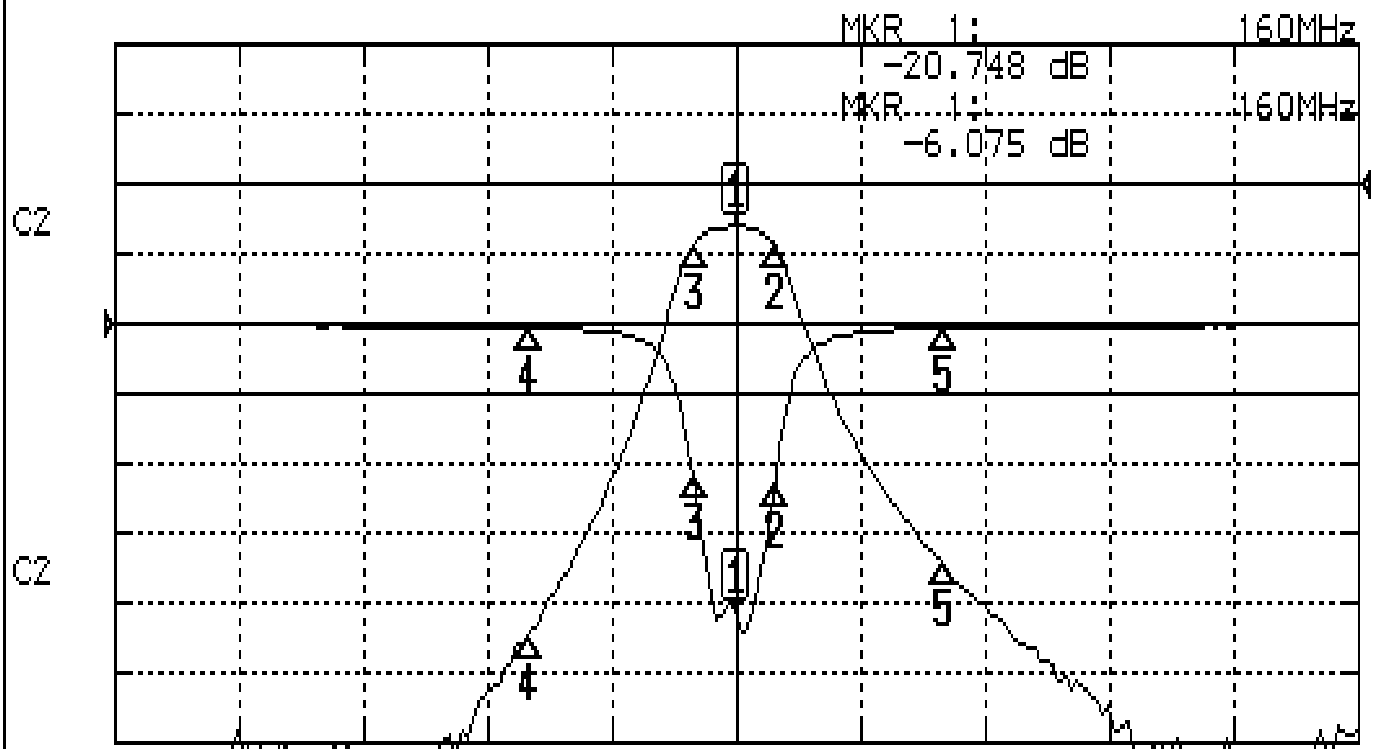
Approval	Supervisor	Designer	Aperture size
C.Y.Chang	C.K.Chang	Y.C.Kuo	7H4S(4*5.5)(5.57) 7H024LB4

TEMWELL CORPORATION

Performance-TF64723B-160M

201802050CD

CH1 S11 LOG MAG REF 0.000 dB 5.000 dB/
CH2 S21 LOG MAG REF 0.000 dB 10.000 dB/



CENTER 160MHz

[10.00 dBm]

SPAN 60MHz

CH1 MARKER LIST

Marker	Frequency (MHz)	Magnitude (dB)
1	160.0000	-20.748
2	161.9000	-11.329
3	157.8800	-10.566
4	150.0000	-0.282
5	170.0000	-0.296

CH2 MARKER LIST

Marker	Frequency (MHz)	Magnitude (dB)
1	160.0000	-6.075
2	161.9000	-1.902
3	157.8800	-1.951
4	150.0000	-4.500
5	170.0000	-4.500