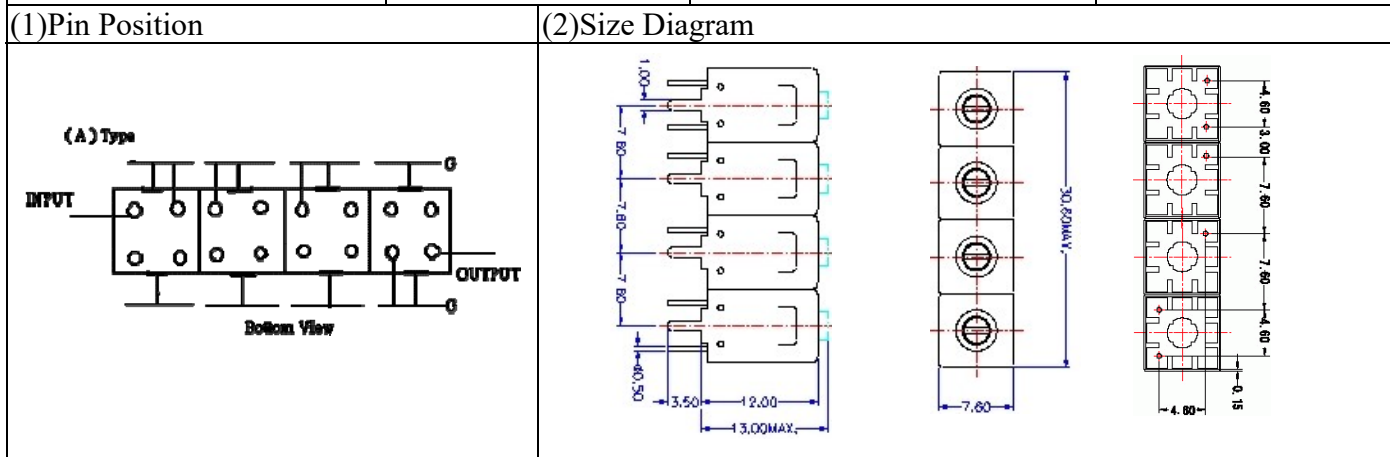


VHF UHF Helical Filter Specification Sheet

Customer Name		Temwell's Part No.	TF64726A-700M
Approval No. /dated	201802053CD	Temwell's Print Name	64726A 700M
Work Instruction No.	201802053CD	Date	Mar.20.2018



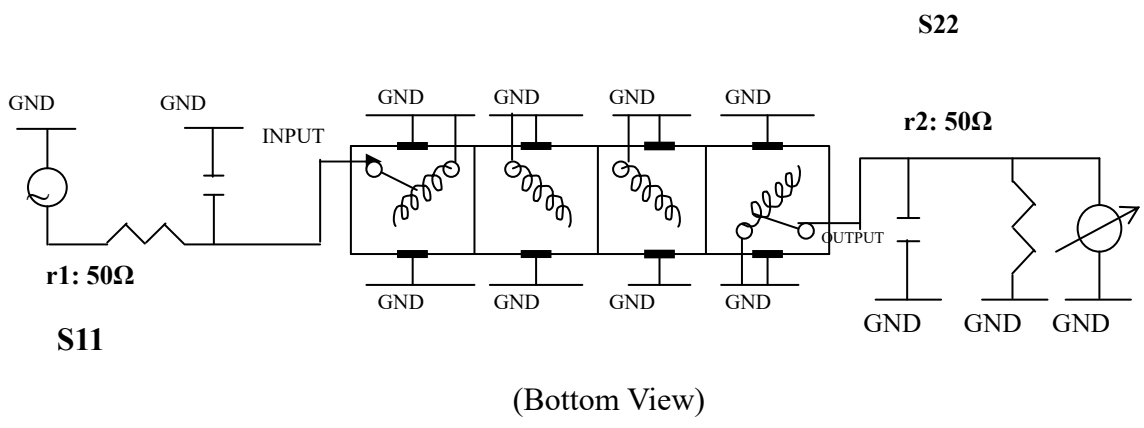
(3)Electric Charasteric			
Item	Specify	Performance	
Center Freq.(Fo) +/- 0.5 %	700 MHz	700 MHz	
Insertion Loss	Typ. 9.5 dB	8.48 dB	
-3 dB Bandwidth	Typ. 2 MHz	6.9 MHz	
Sensitivity (Attenuation)	Fo - 50 MHz	Typ. 64 dBc	69 dBc
	Fo + 50 MHz	Typ. 66 dBc	71 dBc
	Fo - ()MHz	Typ. dBc	dBc
	Fo +()MHz	Typ. dBc	dBc
Return Loss	Min. 12 dB	24.6 dB	
Ripple	< 1 dB	dB	
Impedance	In / Out : 50 Ω	In / Out : 50 Ω	

(4)Torque for Tuning Screw > 60gf · cm

(5)Temperature Condition:
 Operating Temperature 0°C ~ +60°C
 Storage Temperature -20°C ~ +70°C

(6)Input Power > 1Watt

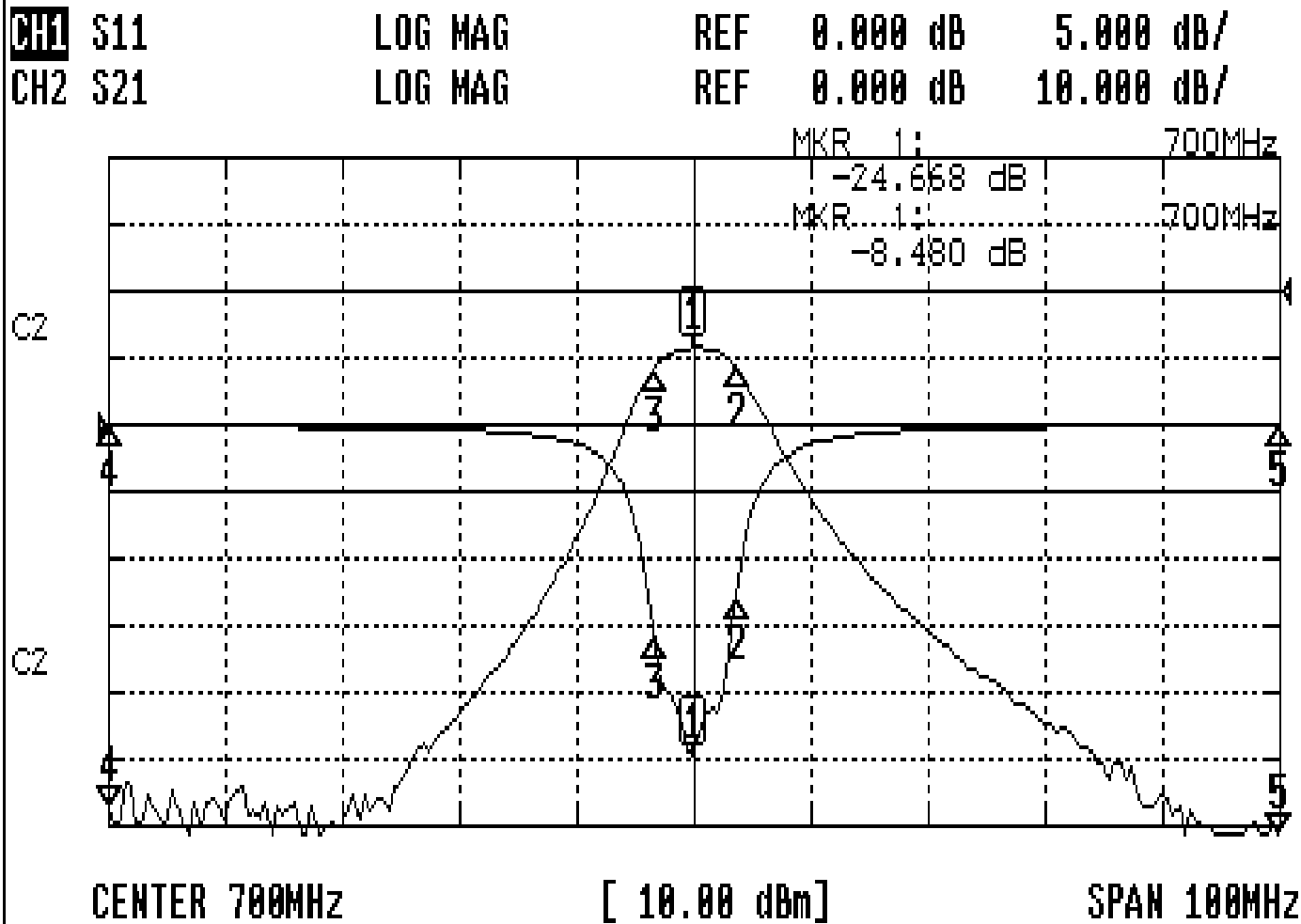
(7) Measuring Circuit: ※Easy to match Impedance S11/S22 50Ω by parallel with about(- -).



Approval C.Y.Chang	Supervisor C.K.Chang	Designer Y.C.Kuo	Aperture size 7H4S(4*4.65)(4.68) 7H046LB4.3 聚 3
-----------------------	-------------------------	---------------------	---

Performance-TF64726A-700M

201802053CD



CH1 MARKER LIST

1	700.000MHz	-24.673	dB
2	703.666MHz	-12.695	dB
3	696.675MHz	-16.090	dB
4	650.000MHz	-0.080	dB
5	750.000MHz	-0.053	dB

CH2 MARKER LIST

1	700.000MHz	-8.480	dB
2	703.666MHz	-11.486	dB
3	696.675MHz	-11.483	dB
4	650.000MHz	-77.542	dB
5	750.000MHz	-79.496	dB