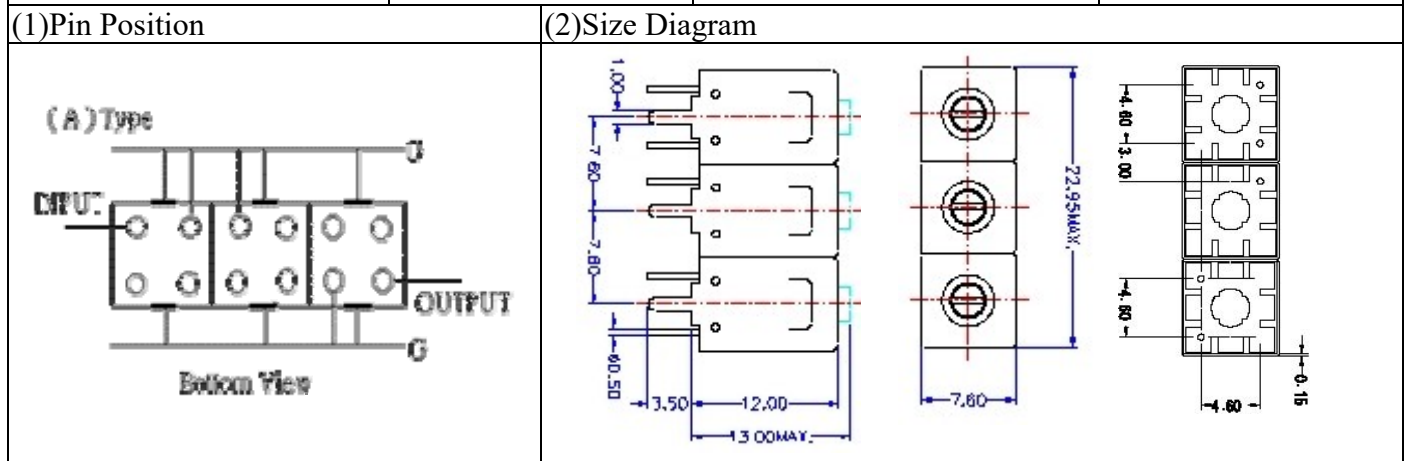


# VHF UHF Helical Filter Specification Sheet

Customer Name		Temwell's Part No.	TT63724A-172M
Approval No. /dated	201711008CD	Temwell's Print Name.	63724A 172M
Work Instruction No.	201711008CD	Date	Dec.05.2017



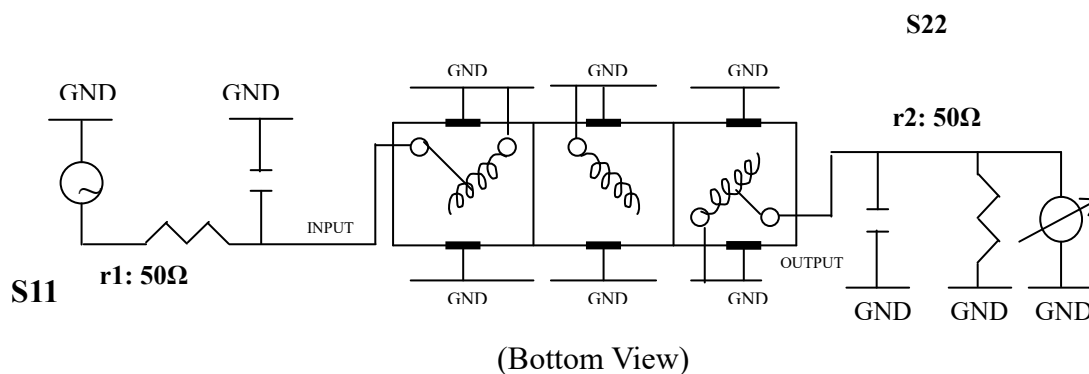
(3) Electric Characteristic			
Item		Specify	Performance
Center Freq.(Fo) +/- 0.5 %		172 MHz	172 MHz
Insertion Loss		Typ. 5.0 dB	3.95 dB
-3 dB Bandwidth		Typ. 2 MHz	4.2 MHz
Sensitivity (Attenuation)	Fo - 10 MHz	Typ. 32 dBc	37 dBc
	Fo + 10 MHz	Typ. 27 dBc	32 dBc
	Fo - ( )MHz	Typ. dBc	dBc
	Fo +( )MHz	Typ. dBc	dBc
Return Loss		Min. 12 dB	33.6 dB
Ripple		< 1 dB	dB
Impedance		In / Out : 50 Ω	In / Out : 50 Ω

(4) Torque for Tuning Screw > 60gf · cm

(5) Temperature Condition:	
Operating Temperature	0°C ~ +60°C
Storage Temperature	-20°C ~ +70°C

(6) Input Power > 1Watt

(7) Measuring Circuit: ※Easy to match Impedance S11/S22 50Ω by parallel with about( --)



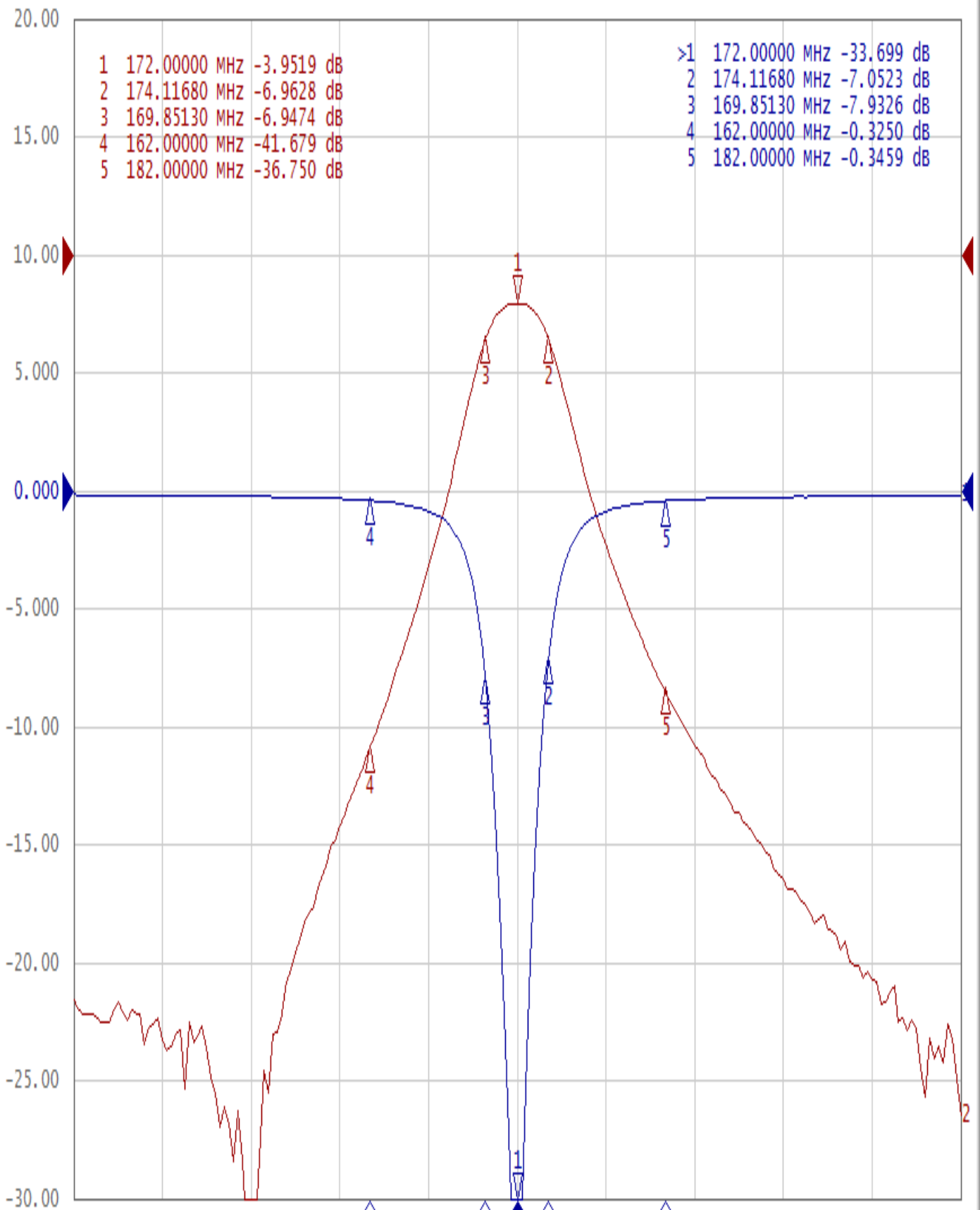
Approval C.Y.Chang	Supervisor C.K.Chang	Designer C.S.Chang	Aperture size 7H3S(4*5.5)(5.58) 7H024LB4
-----------------------	-------------------------	-----------------------	--

TEMWELL CORPORATION

# Performance-TT63724A-172M

## 201711008CD

Tr1 S11 Log Mag 5.000dB/ Ref 0.000dB [F2]  
Tr2 S21 Log Mag 10.00dB/ Ref 0.000dB [F2]



Point	Frequency (MHz)	Magnitude (dB)
>1	172.00000	-33.699
2	174.11680	-7.0523
3	169.85130	-7.9326
4	162.00000	-0.3250
5	182.00000	-0.3459

1 Center 172 MHz

IFBW 70 kHz

Span 60 MHz Cor !