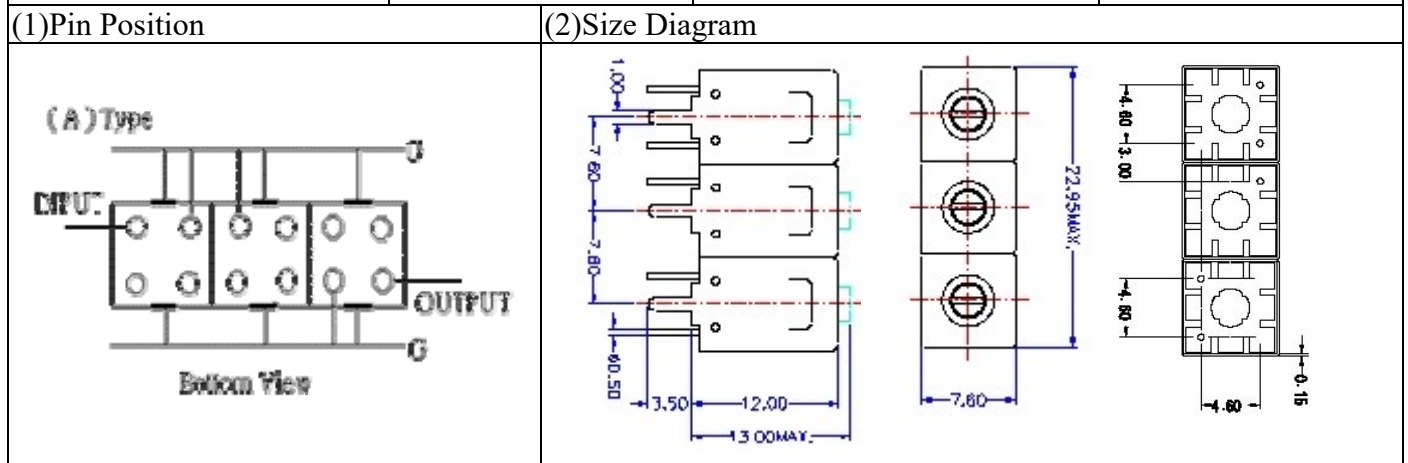


VHF UHF Helical Filter Specification Sheet

Customer Name		Temwell's Part No.	TT63728A-915M
Approval No. /dated	201711012CD	Temwell's Print Name.	63728A 915M
Work Instruction No.	201711012CD	Date	Nov.23.2017



(3) Electric Characteristic

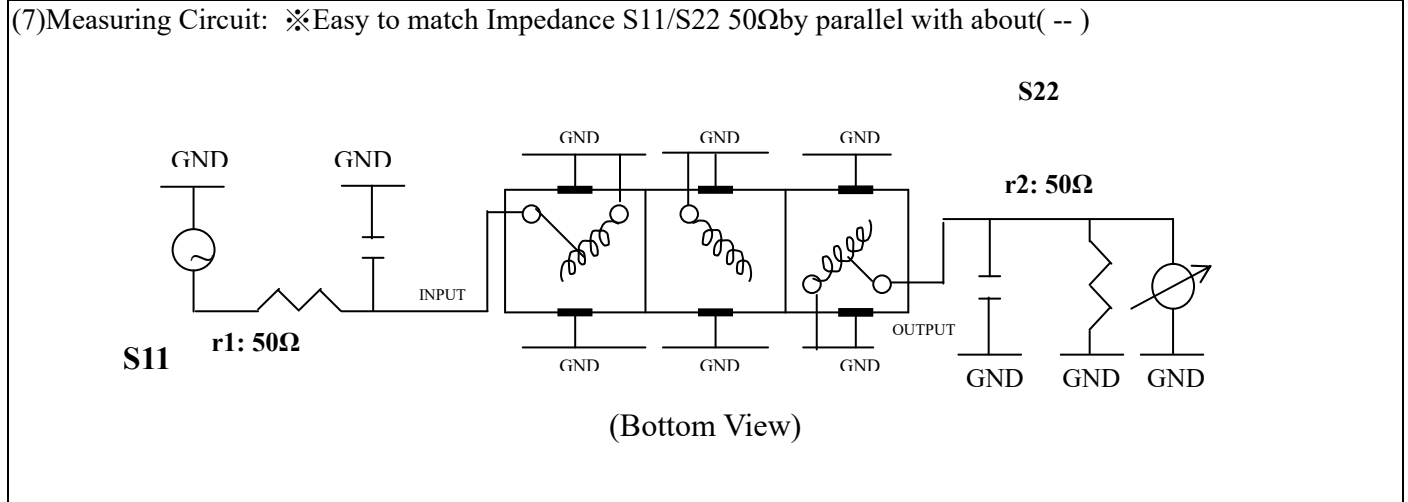
Item	Specify	Performance	
Center Freq.(Fo) +/- 0.5 %	915 MHz	915 MHz	
Insertion Loss	Typ. 7.5 dB	6.45 dB	
-3 dB Bandwidth	Typ. 2 MHz	8.7 MHz	
Sensitivity (Attenuation)	Fo - 50 MHz	Typ. 55 dBc	65 dBc
	Fo + 50 MHz	Typ. 44 dBc	49 dBc
	Fo - ()MHz	Typ. dBc	dBc
	Fo +()MHz	Typ. dBc	dBc
Return Loss	Min. 12 dB	25.8 dB	
Ripple	< 1 dB	dB	
Impedance	In / Out : 50 Ω	In / Out : 50 Ω	

(4) Torque for Tuning Screw > 60gf · cm

(5) Temperature Condition:

Operating Temperature	0°C ~ +60°C
Storage Temperature	-20°C ~ +70°C

(6) Input Power > 1Watt

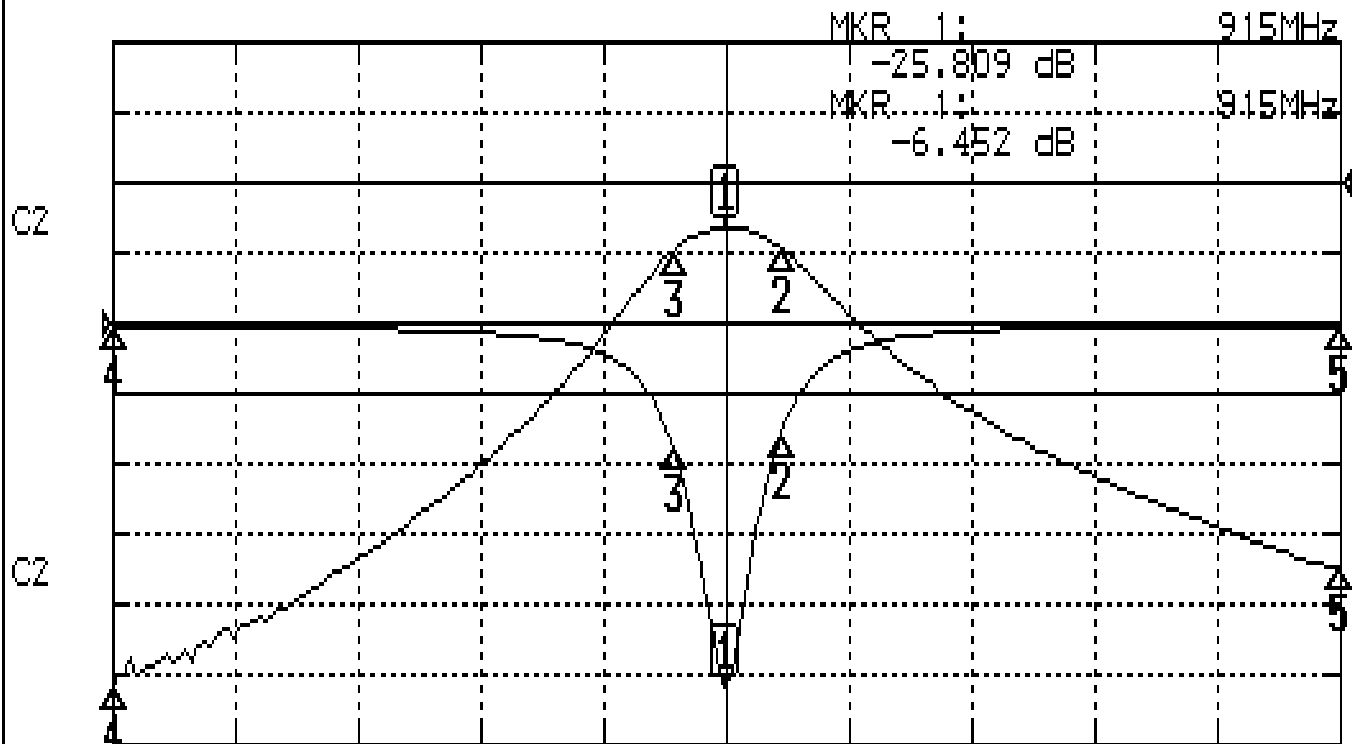


Approval C.Y.Chang	Supervisor C.K.Chang	Designer C.H.Yeh	Aperture size 7H3S(4*4.65)(4.68) 7H046LB4.3 聚 3
-----------------------	-------------------------	---------------------	---

Performance-TT63728A-915M

201711012CD

CH1 S11 LOG MAG REF 0.000 dB 5.000 dB/
CH2 S21 LOG MAG REF 0.000 dB 10.000 dB/



CENTER 915MHz

[10.00 dBm]

SPAN 100MHz

CH1 MARKER LIST

1:	915.000MHz	-25.809 dB
2:	919.600MHz	-7.795 dB
3:	910.840MHz	-9.089 dB
4:	865.000MHz	-0.216 dB
5:	965.000MHz	-0.160 dB

CH2 MARKER LIST

1:	915.000MHz	-6.452 dB
2:	919.600MHz	-9.445 dB
3:	910.840MHz	-9.439 dB
4:	865.000MHz	-71.787 dB
5:	965.000MHz	-55.438 dB