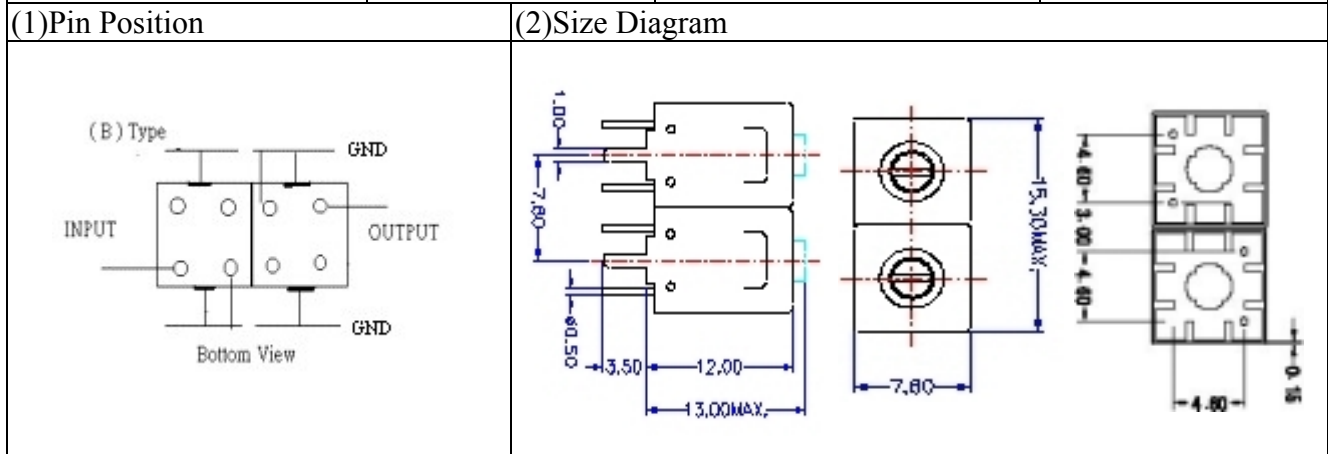


VHF UHF Helical Filter Specification Sheet

Customer Name		Temwell's Part No.	K2B-319.5M-11M
Approval No. /dated		Temwell's Part name	K2B 319.5M
Work Instruction No.	201311054CD	Date	Dec.05.2013



(3) Electric Charasteric

Item	Specify	
Center Freq.(Fo) +/- 0.5 %	319.5	MHz
Insertion Loss	Typ. 4.5	dB
-3 dB Bandwidth	Typ. 11	MHz
Sensitivity (Attenuation)	Fo - 40 MHz	Typ. 30 dB
	Fo + 40 MHz	Typ. 30 dB
	Fo - ()MHz	Typ. dB
	Fo +()MHz	Typ. dB
Return Loss	Min. 12	dB
Ripple	< 1	dB
Impedance	In / Out : 50 Ω	

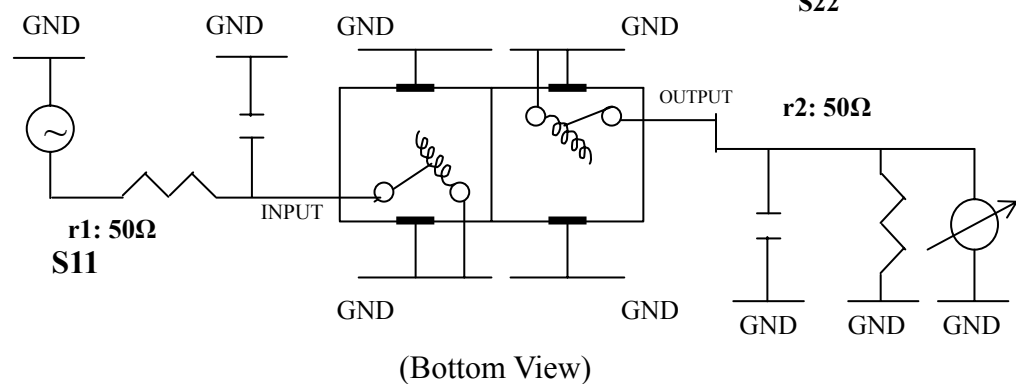
(4) Torque for Tuning Screw > 60gf cm

(5) Temperature Condition:

Operating Temperature	0 ~ +60
Storage Temperature	-20 ~ +70

(6) Input Power > 1Watt

(7) Measuring Circuit: Easy to match Impedance S11/S22 50Ω by parallel with about (--)



Approval C.Y.Chang	Supervisor C.K.Chang	Designer P.H.Chiang	Aperture size 7H2S(4*6.5)(6.57) 7H046LB4.3 聚 3 (J1)
TEMWELL CORPORATION			

Performance-K2B-319.5M-11M

201311054CD

