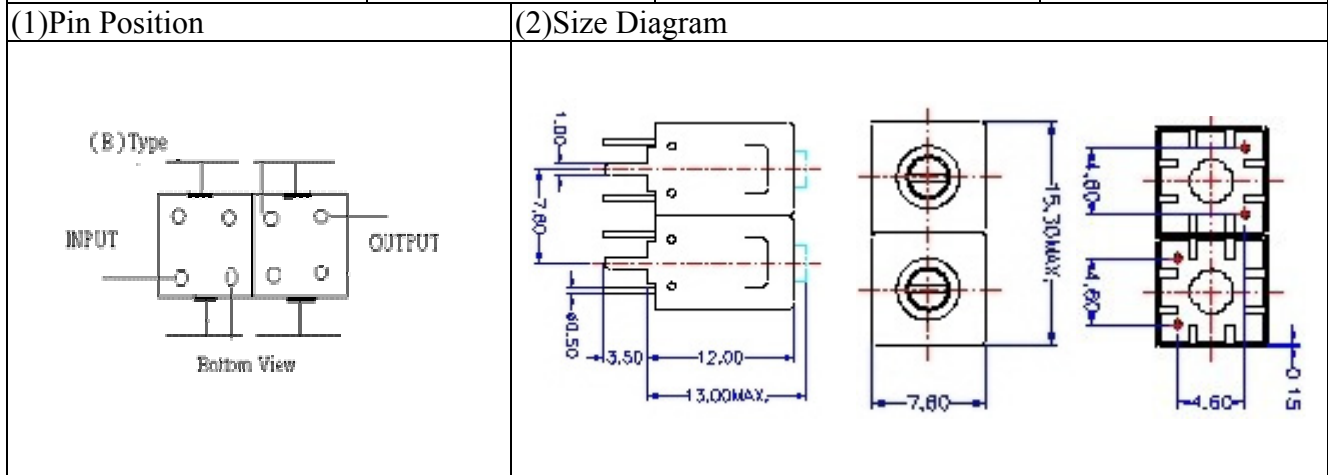


VHF UHF Helical Filter Specification Sheet

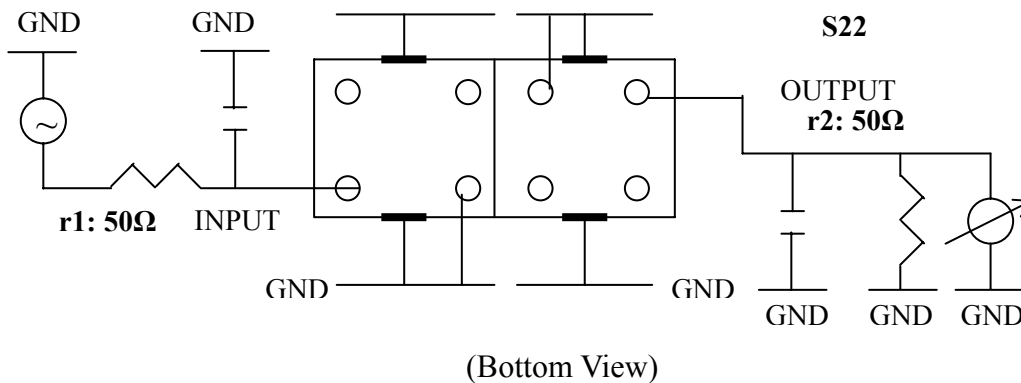
Customer Name		Temwell's Part No.	K2B-380M-21M
Approval No. /dated		Temwell's Print name.	K2B 380M
Work Instruction No.	201012091C	Date	Dec.28.2010



(3)Electric Charasteric

Item	Specify	
Center Freq.(Fo) +/- 0.75 %	380	MHz
Insertion Loss	Typ. 3.5	dB
-3 dB Bandwidth	Typ. 21	MHz
Sensitivity (Attenuation)	Fo - 90 MHz	Typ. 40 dB
	Fo + 90 MHz	Typ. 27 dB
	Fo - ()MHz	Typ. dB
	Fo +()MHz	Typ. dB
Return Loss	Min. 12	dB
Ripple	< 1	dB
Impedance	In / Out : 50 Ω	
(4)Torque for Tuning Screw	> 60gf cm	
(5)Temperature Condition:		
Operating Temperature	-30 ~ +70	
Storage Temperature	-30 ~ +80	
(6)Input Power	> 1Watt	

(7)Measuring Circuit: Easy to match Impedance S11/S22 50Ω by parallel with about ().

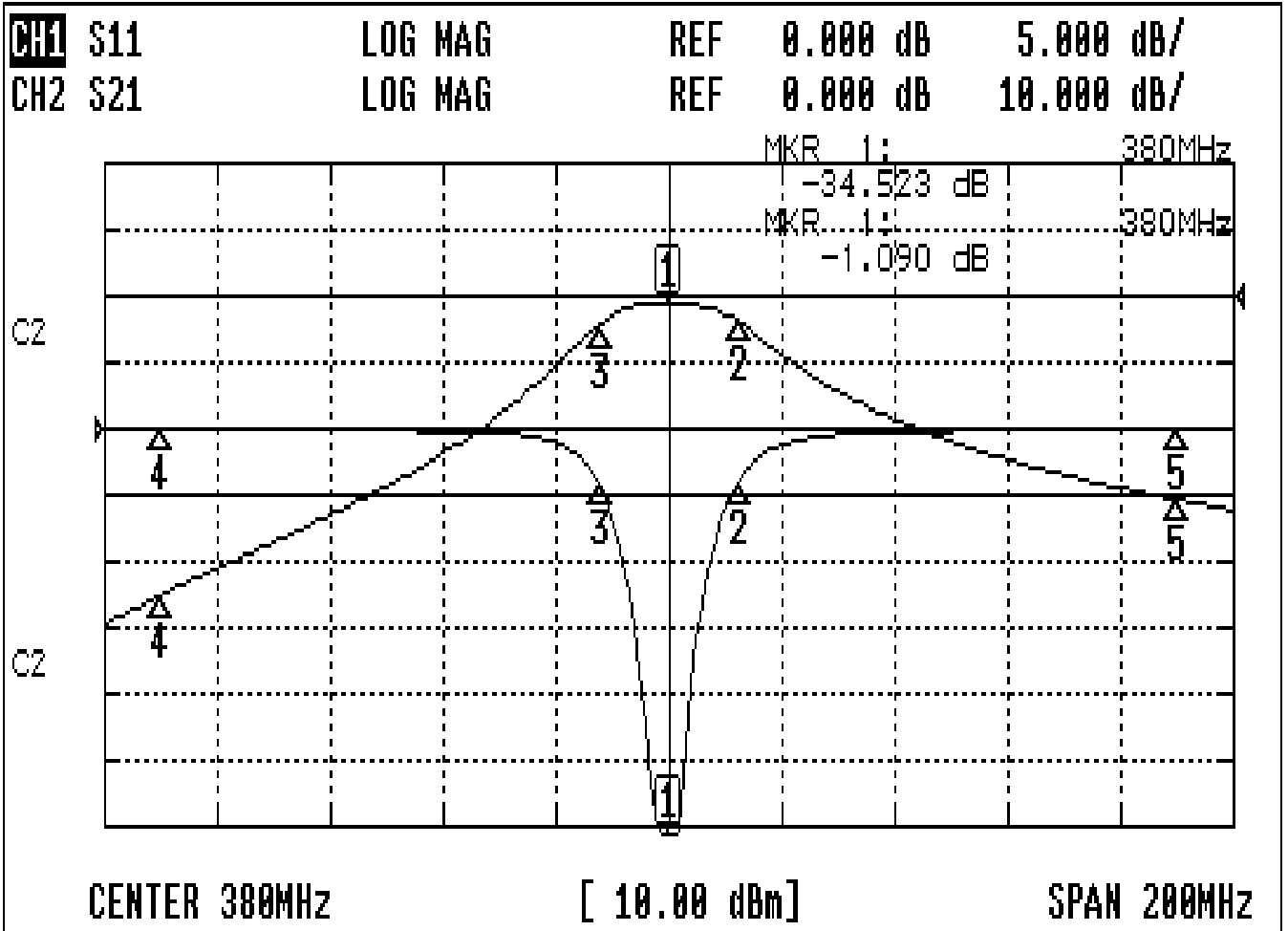


Approval	Supervisor	Designer	Aperture size
C.Y.Chang	C.K.Chang	P.H.Chiang	7H2S(4*5.35)(5.38) 7H046RB5.5

TEMWELL CORPORATION

Performance-K2B-380M-21M

201012091C



CH1 MARKER LIST

1	380.000MHz	-34.523	dB
2	392.500MHz	-1.0915	dB
3	367.833MHz	-4.203	dB
4	290.000MHz	-0.091	dB
5	470.000MHz	-0.054	dB

CH2 MARKER LIST

1	380.000MHz	-1.092	dB
2	392.500MHz	-4.043	dB
3	367.833MHz	-4.054	dB
4	290.000MHz	-45.131	dB
5	470.000MHz	-30.663	dB