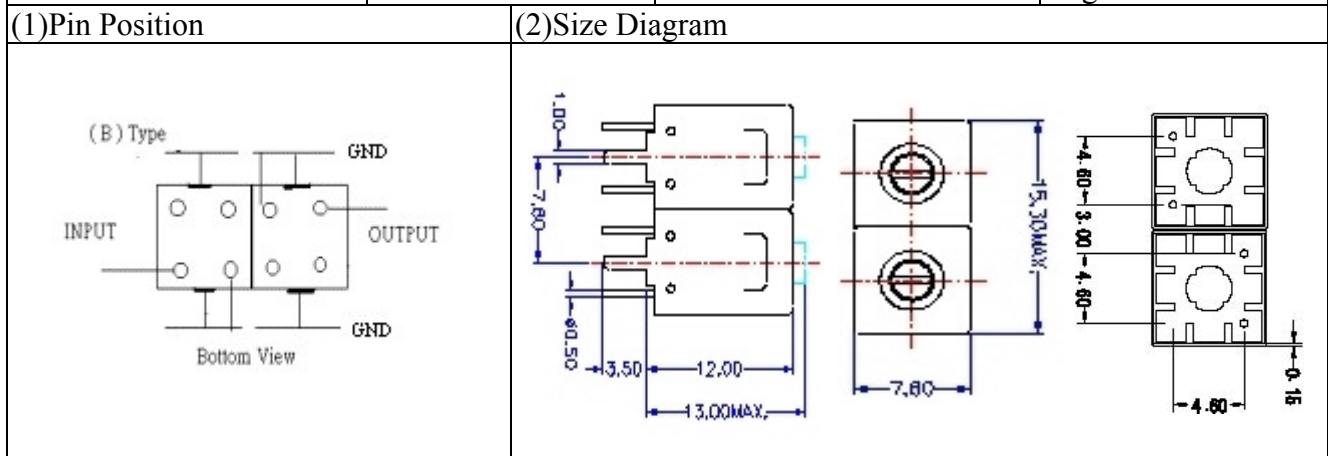


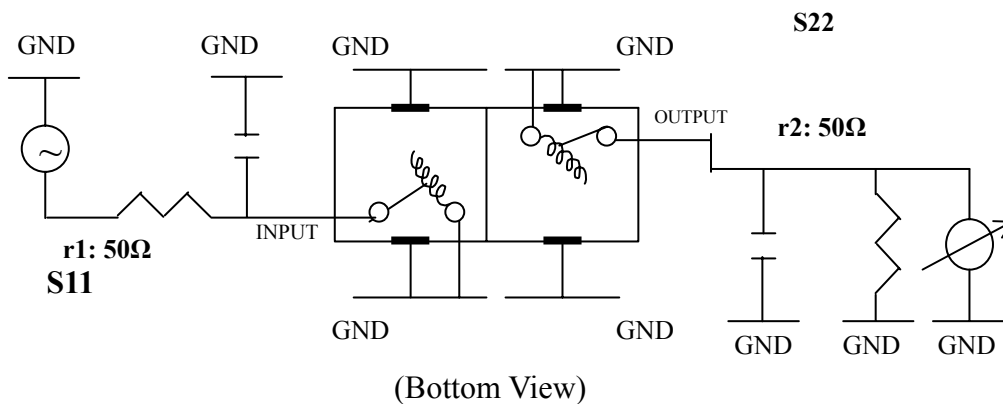
VHF UHF Helical Filter Specification Sheet

Customer Name		Temwell's Part No.	K2B-462M-20M
Approval No. /dated	201008097CD	Temwell's print Name.	K2B 462M
Work Instruction No.	201008097CD	Date	Aug.23.2010



(3) Electric Charasteric	
Item	Specify
Center Freq.(Fo) +/- 0.75 %	462 MHz
Insertion Loss	Typ. 2.0 dB
-3 dB Bandwidth	Typ. 20 MHz
Sensitivity (Attenuation)	Fo - 50 MHz Typ. 22 dBc
	Fo + 50 MHz Typ. 16 dBc
	Fo - ()MHz Typ. dBc
	Fo +()MHz Typ. dBc
Return Loss	Min. 12 dB
Ripple	< 1 dB
Impedance	In / Out : 50 Ω
(4) Torque for Tuning Screw > 100gf cm	
(5) Temperature Condition:	
Operating Temperature	-30 ~ +70
Storage Temperature	-30 ~ +80
(6) Input Power > 1Watt	

(7) Measuring Circuit: Easy to match Impedance S11/S22 50Ω by parallel with about (--) .



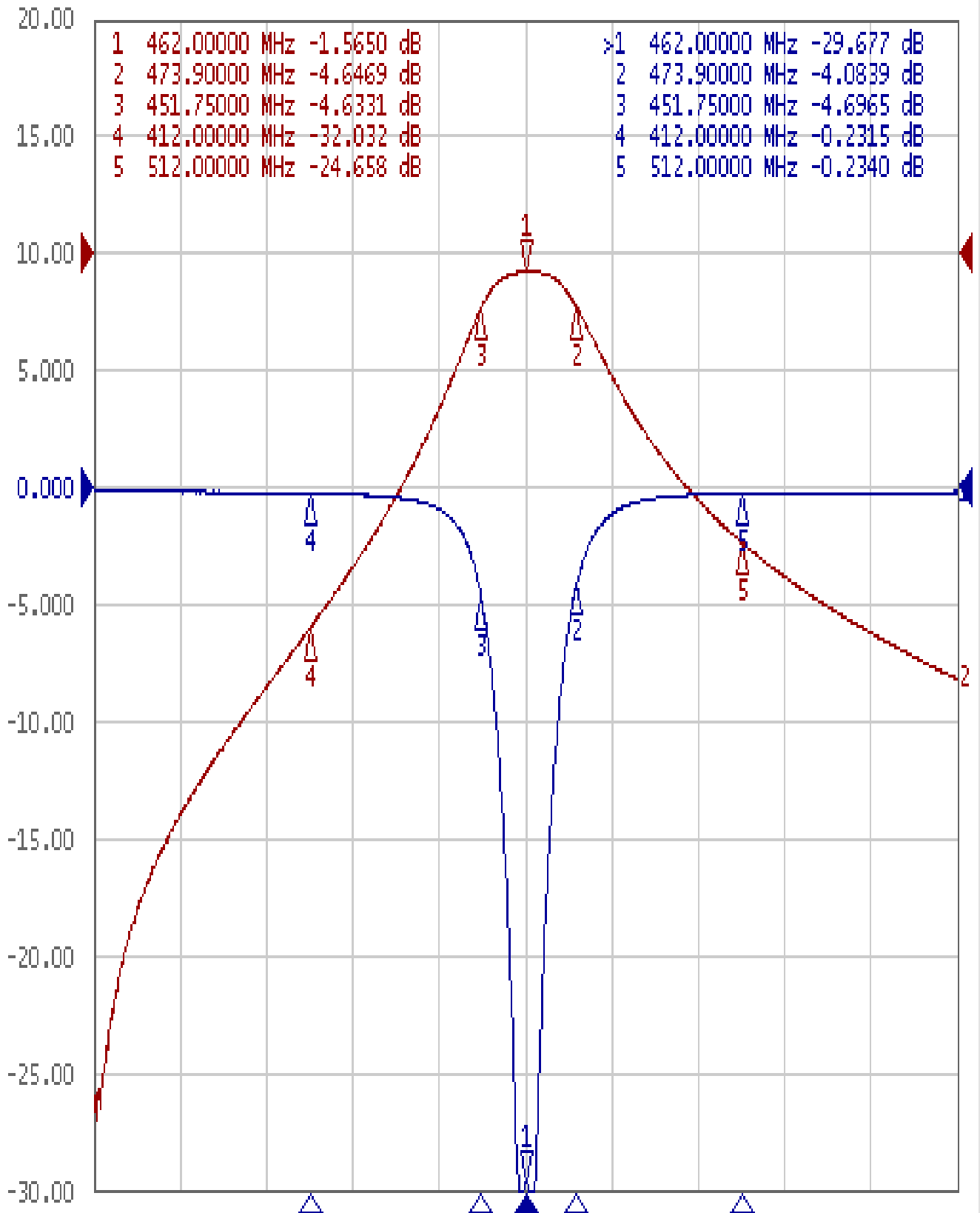
Approval C.Y.Chang	Supervisor C.K.Chang	Designer M.Y.Kang	Aperture size 7H2S(4*5.5)(5.65) 7H046RB4
TEMWELL CORPORATION			

Performance-K2B-462M-20M

201008097CD

Tr1 S11 Log Mag 5.000dB/ Ref 0.000dB [F2]

Tr2 S21 Log Mag 10.00dB/ Ref 0.000dB [F2]



1 Center 462 MHz

IFBW 10 kHz

Span 200 MHz Cor !