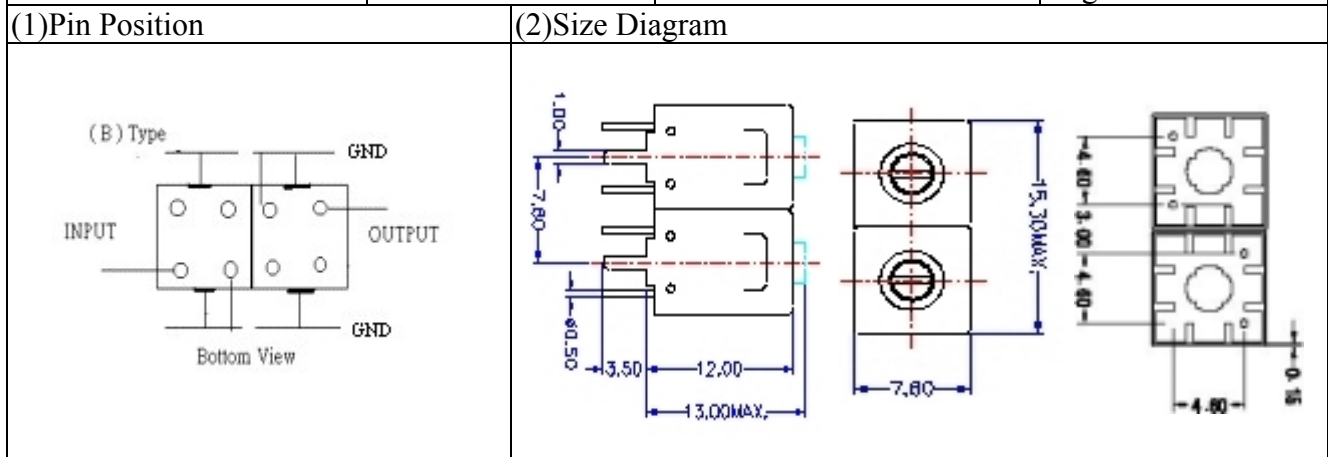


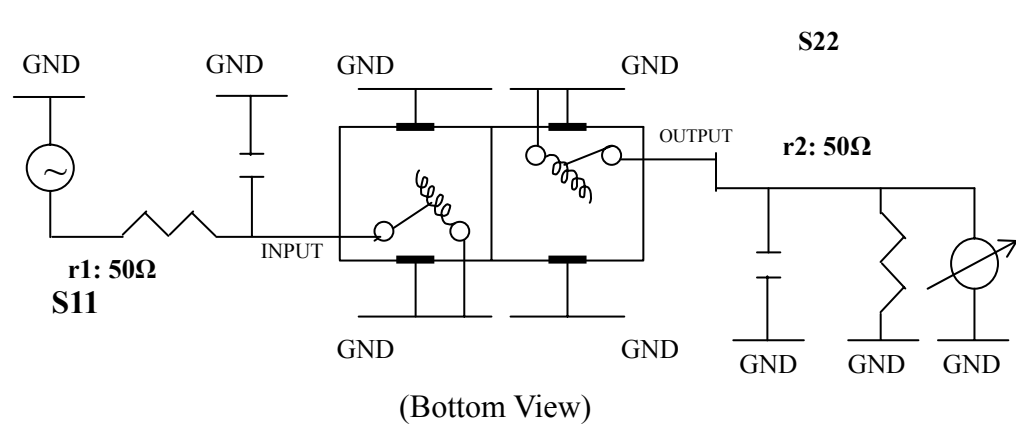
VHF UHF Helical Filter Specification Sheet

Customer Name		Temwell's Part No.	K2B-480M-10M
Approval No. /dated	201007079CD	Temwell's print Name.	K2B 480M
Work Instruction No.	201007079CD	Date	Aug.11.2010



(3)Electric Charasteric	
Item	Specify
Center Freq.(Fo) +/- 0.5 %	480 MHz
Insertion Loss	Typ. 2.5 dB
-3 dB Bandwidth	Typ. 10 MHz
Sensitivity (Attenuation)	Fo - 50 MHz Typ. 30 dBc
	Fo + 50 MHz Typ. 20 dBc
	Fo - ()MHz Typ. dBc
	Fo +()MHz Typ. dBc
Return Loss	Min. 12 dB
Ripple	< 1 B
Impedance	In / Out : 50 Ω
(4)Torque for Tuning Screw	> 60gf cm
(5)Temperature Condition:	
Operating Temperature	0 ~ +60
Storage Temperature	-20 ~ +70
(6)Input Power	> 1Watt

(7)Measuring Circuit: Easy to match Impedance S11/S22 50Ω by parallel with about (--) .

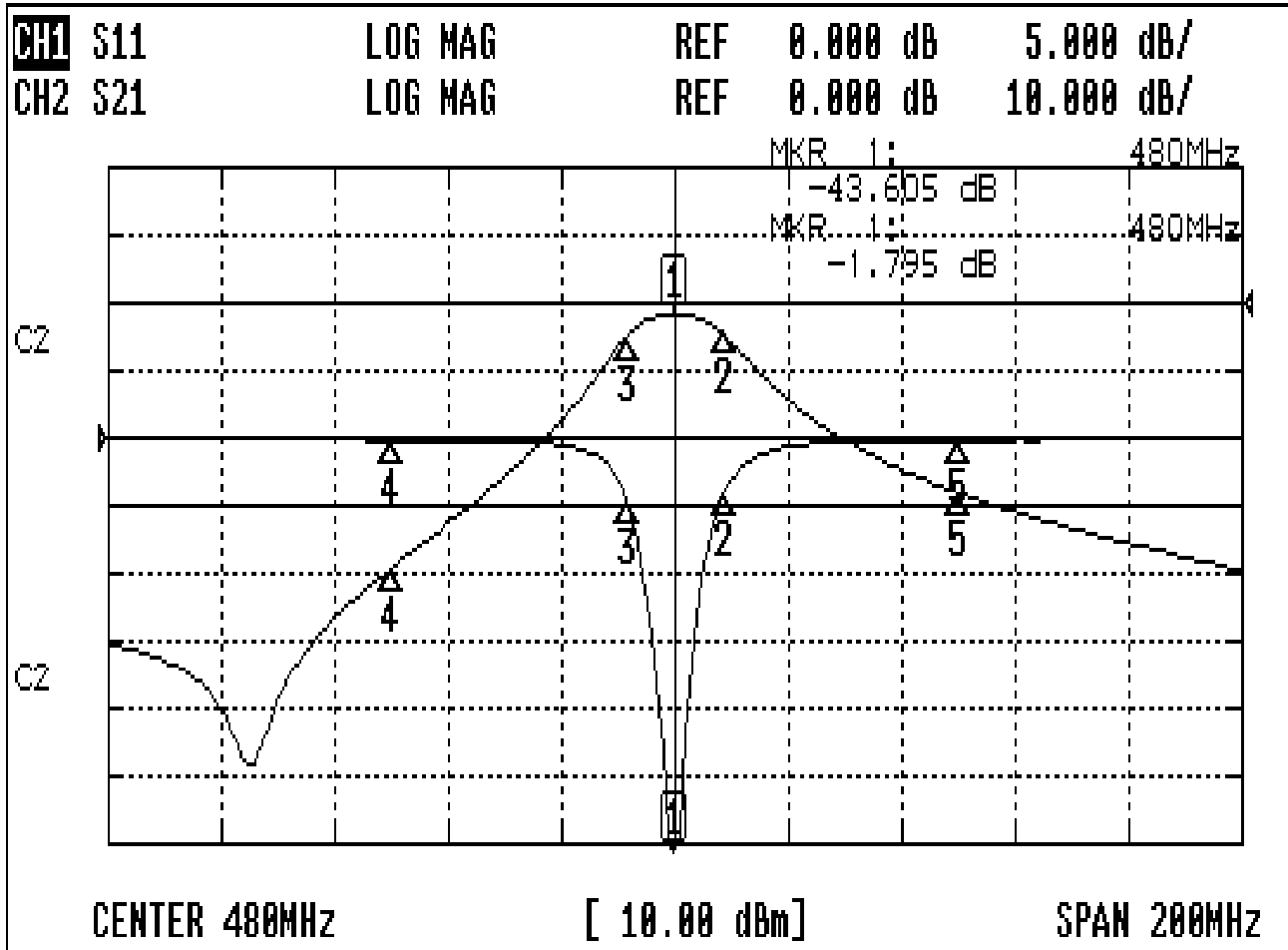


Approval C.Y.Chang	Supervisor C.K.Chang	Designer M.Y.Kang	Aperture size 7H2S(4*5.5)(5.65) 7H046RB4
-----------------------	-------------------------	----------------------	--

TEMWELL CORPORATION

Performance-K2B-480M-10M

201007079CD



CH1 MARKER LIST

1:	480.000MHz	-43.605 dB
2:	488.833MHz	-4.096 dB
3:	471.833MHz	-4.919 dB
4:	430.000MHz	-0.158 dB
5:	530.000MHz	-0.170 dB

CH2 MARKER LIST

1:	480.000MHz	-1.792 dB
2:	488.833MHz	-4.815 dB
3:	471.833MHz	-4.768 dB
4:	430.000MHz	-39.195 dB
5:	530.000MHz	-28.059 dB