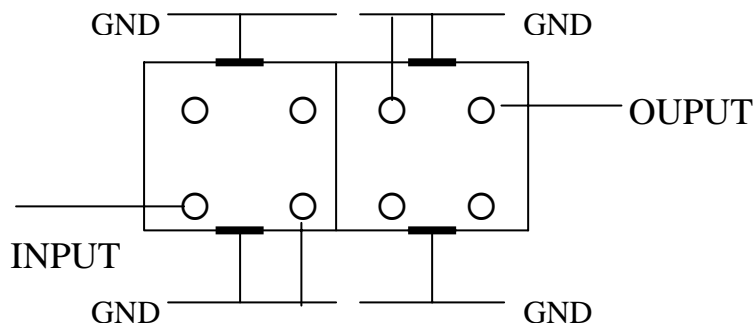


VHF UHF Helical Filter Specification Sheet

Customer Name		Temwell's Part No.	K2B-500M-10M
Approval No. /dated	20401009DC	Customer's Part No.	
Work Instruction No.	20401009DC	Date	Jan.09.2004
<input type="checkbox"/> Buyer Print name		<input type="checkbox"/> Temwell,s print name	
Case Name	7H2	Case size :	
Terminator Type	B		

* Pin Position (Pin Connection) diagram as following

(B) Type



(Bottom View)

(3) Electric Charasteric

Item		Specify
Center Freq.(Fo) +/- 0.5 %		500 MHz
Tuning Range		500 ± 5 MHz
Insertion Loss	Typ.	2.5 dB
-3 dB Bandwidth	Typ.	10 MHz
Sensitivity (Attenuation)	Fo - 50 MHz	Typ. 30 dB
	Fo + 50 MHz	Typ. 20 dB
	Fo - () MHz	Typ. dB
	Fo +() MHz	Typ. dB
Return Loss	Min.	12 dB
Ripple		< 1 dB
Impedance		In / Out : 50 Ω

4. Temperature Condition:

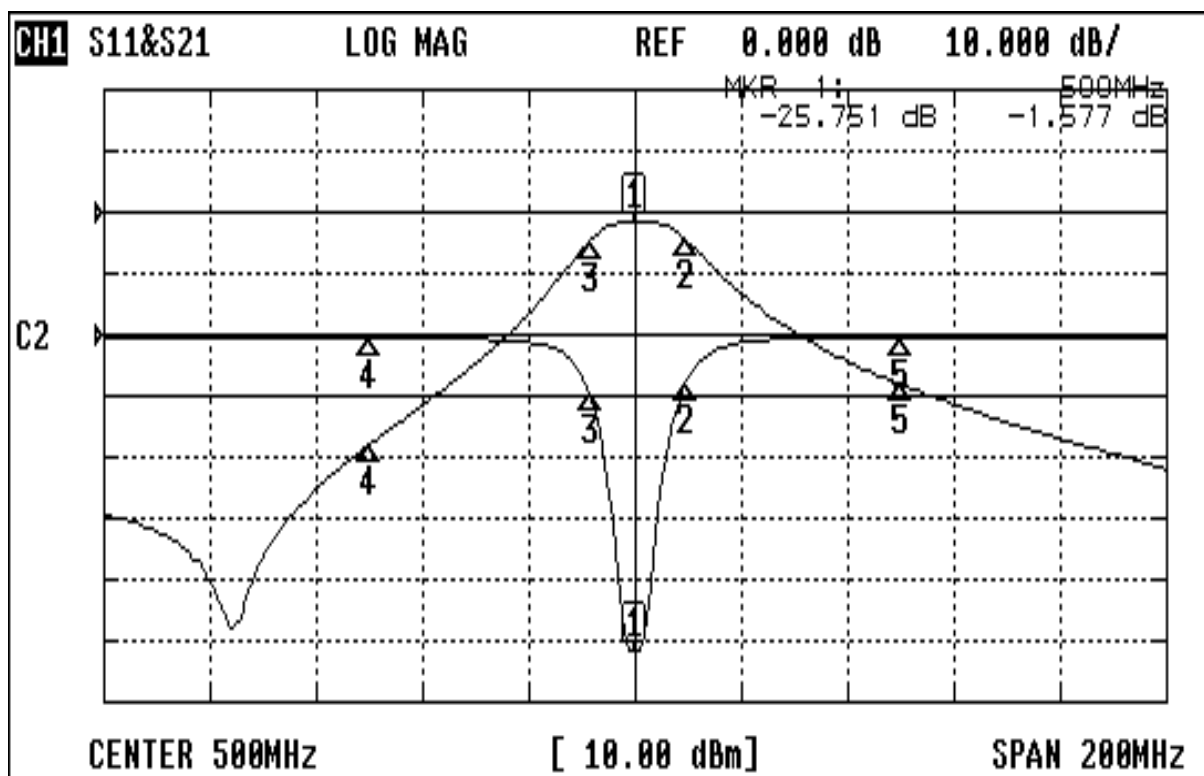
Operating Temperature	0 ~ +60
Storage Temperature	-20 ~ +70

Approval	Supervisor	Designer	Aperture size
	C.S.Chang	P.H.Ching	7H2(4*5.5)(5.56) 7H046RB4

TEMWELL CORPORATION

Performance-K2B-500M-10M

20401009DC



CH1 MARKER LIST

1:	500.000MHz	-25.751 dB	-1.577 dB
2:	509.833MHz	-3.861 dB	-4.597 dB
3:	491.666MHz	-4.936 dB	-4.537 dB
4:	450.000MHz	-0.214 dB	-37.983 dB
5:	550.000MHz	-0.183 dB	-28.118 dB
6:			
7:			
8:			
9:			
10:			