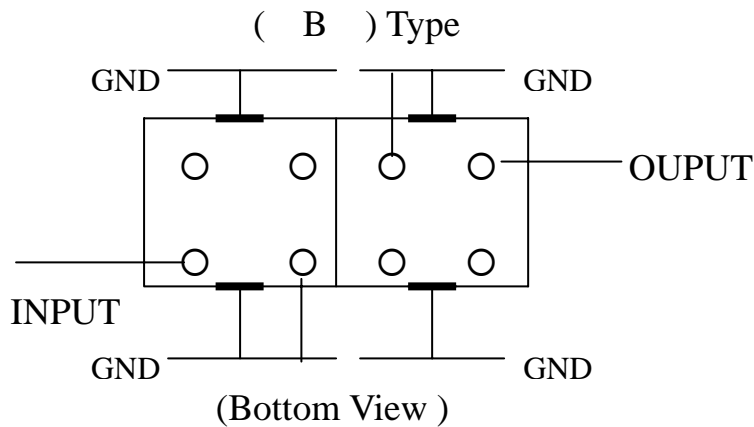


## VHF UHF Helical Filter Specification Sheet

Customer Name		Temwell's Part No.	K2B-520M-10M
Approval No. /dated	20401036C	Customer's Part No.	
Work Instruction No.	20401036C	Date	Feb.05.2004
<input type="checkbox"/> Buyer Print name		<input type="checkbox"/> Temwell,s print name	
Case Name	7H2	Case size :	
Terminator Type	B		

\* Pin Position (Pin Connection) diagram as following



(3) Electric Charastic

Item	Specify
Center Freq.(Fo ) +/- 0.5 %	520 MHz
Insertion Loss	2.5 dB
-3 dB Bandwidth	10 MHz
Sensitivity (Attenuation )	Fo - 50 MHz Typ. 30 dB
	Fo + 50 MHz Typ. 20 dB
	Fo - ( ) MHz Typ. dB
	Fo +( ) MHz Typ. dB
Return Loss	Min. 12 dB
Ripple	< 1 dB
Impedance	In / Out : 50 Ω
Torque for Tuning Screw	> 60gf cm

4. Temperature Condition:

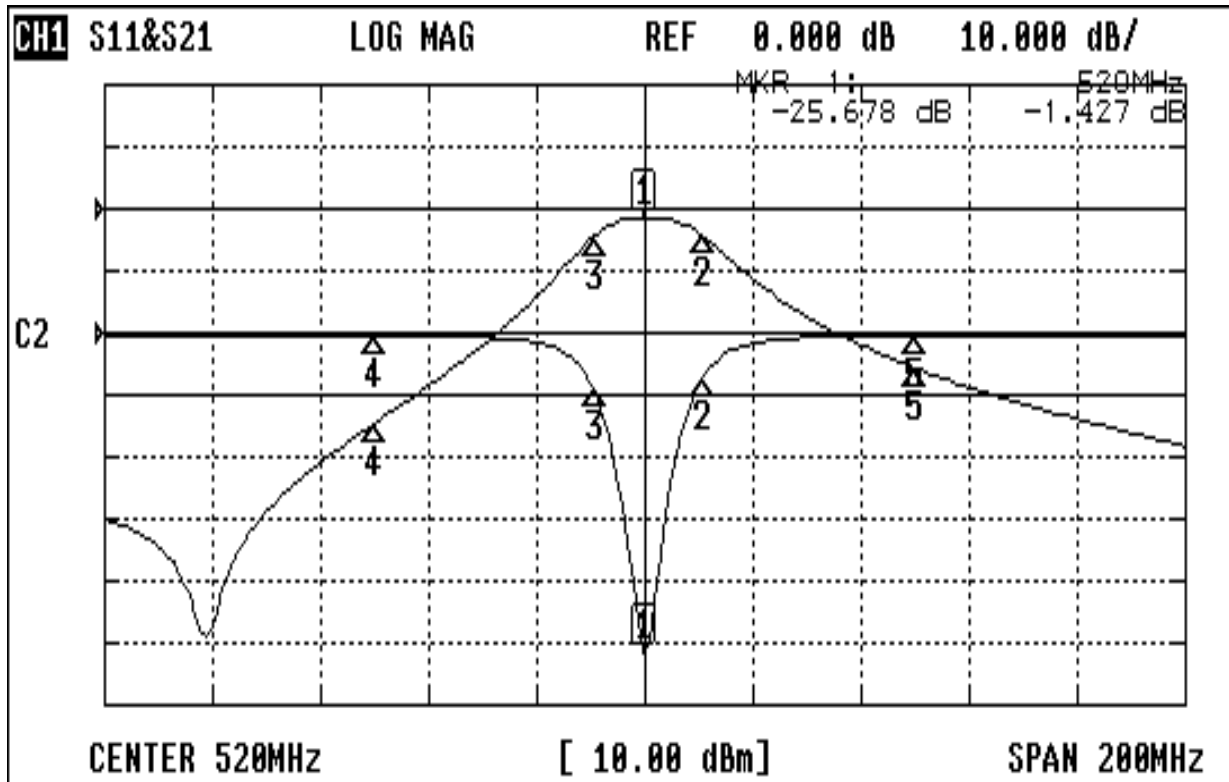
Operating Temperature	0 ~ +60
Storage Temperature	-20 ~ +70

Approval	Supervisor	Designer	Aperture size
C.Y.Chang	C.S.Cgang	P.H.Ching	7H2(4*5.5)(5.62) F 7H046RB4

**TEMWELL CORPORATION**

# Performance- K2B-520M-10M

## 20401036C



### CH1 MARKER LIST

1:	520.000MHz	-25.678 dB	-1.427 dB
2:	530.833MHz	-3.623 dB	-4.456 dB
3:	510.666MHz	-4.506 dB	-4.402 dB
4:	470.000MHz	-0.223 dB	-34.597 dB
5:	570.000MHz	-0.208 dB	-25.648 dB
6:			
7:			
8:			
9:			
10:			