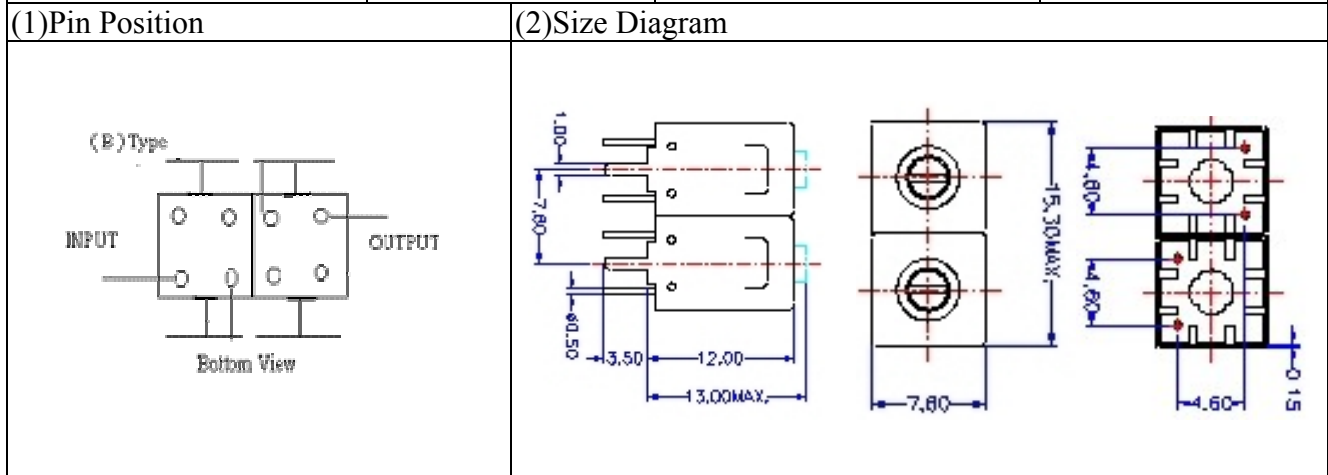


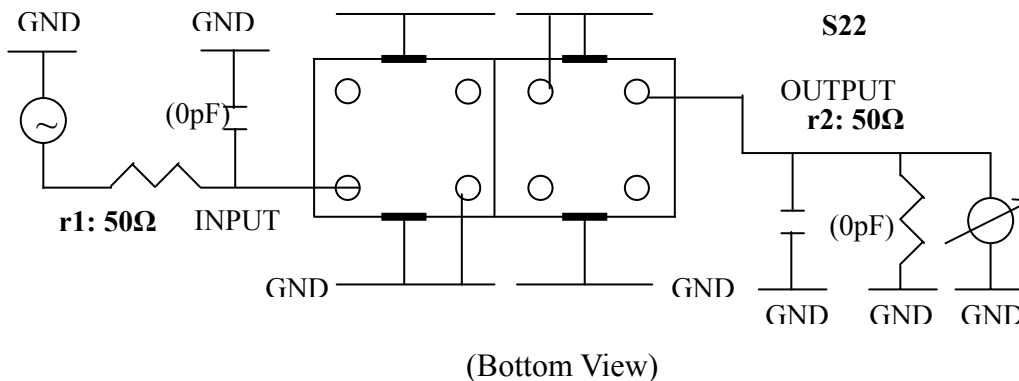
VHF UHF Helical Filter Specification Sheet

Customer Name		Temwell's Part No.	K2B1-360M-10M
Approval No. /dated	20402052DC	Customer's Part No.	7HW-35515A-360
Work Instruction No.	20402052DC	Date	Feb.12.2004



(3) Electric Characteristic	
Item	Specify
Center Freq.(Fo) +/- 0.5 %	360 MHz
Tunable Range: Fo±5MHz Fo±10MHz Fo±15MHz	360±4 MHz
Insertion Loss	Max. 2.5 dB
-3 dB Bandwidth	Typ. 10 MHz
Sensitivity (Attenuation)	Fo - 50 MHz Typ. 35 dBc
	Fo + 50 MHz Typ. 25 dBc
	Fo - ()MHz Typ. dBc
	Fo +()MHz Typ. dBc
Return Loss	Min. 12 dB
Ripple	< 1 dB
Impedance	In / Out : 50 Ω
(4) Torque for Tuning Screw	> 60gf cm
(5) Temperature Condition:	
Operating Temperature	0 ~ +60
Storage Temperature	20 ~ +70
(6) Input Power	> 1Watt

(7) Measuring Circuit: Easy to match Impedance 50Ω by parallel with about (0) pF.

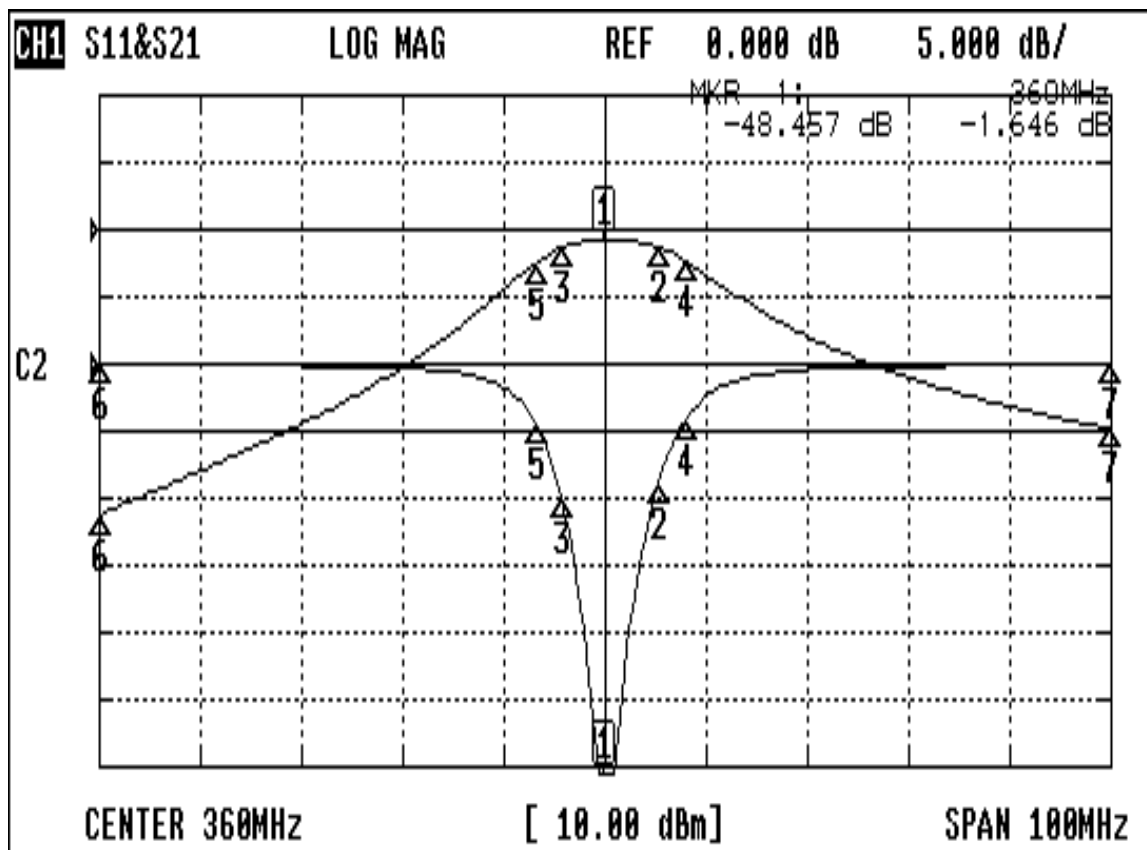


Approval	Supervisor	Designer	Aperture size
C.Y.Chang	C.S.Chang	Enlan	7H2(4*6.5)(4*6.58) 7H046RB4

TEMWELL CORPORATION

Performance-K2B1-360M-10M

20402052DC



CH1 MARKER LIST

1:	360.000MHz	-48.457 dB	-1.646 dB
2:	365.333MHz	-8.925 dB	-2.636 dB
3:	355.750MHz	-9.888 dB	-2.640 dB
4:	368.000MHz	-4.157 dB	-4.616 dB
5:	353.333MHz	-4.574 dB	-4.670 dB
6:	310.000MHz	-0.083 dB	-42.424 dB
7:	410.000MHz	-0.081 dB	-29.606 dB
8:			
9:			
10:			