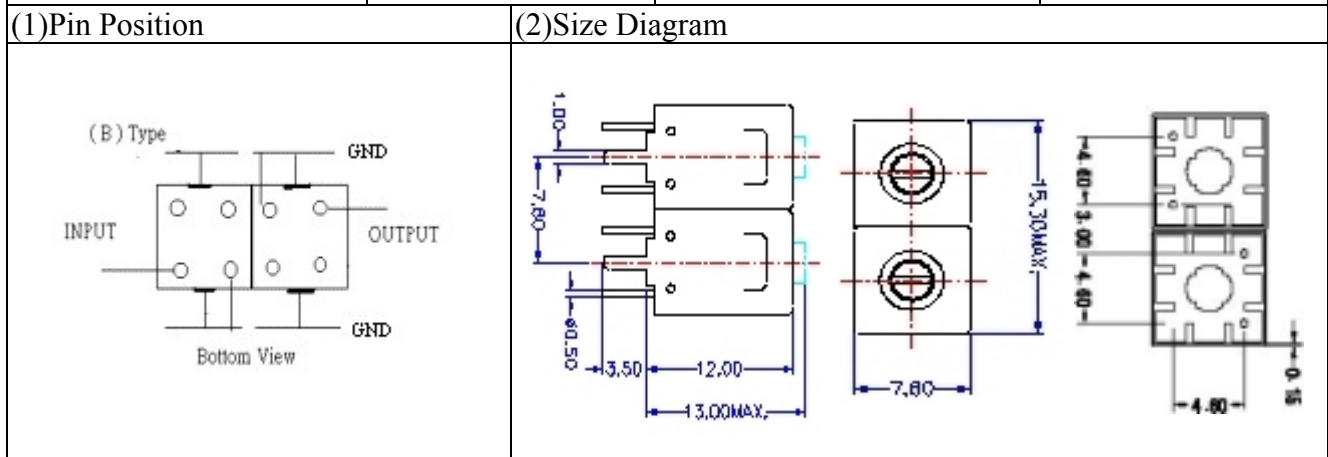


VHF UHF Helical Filter Specification Sheet

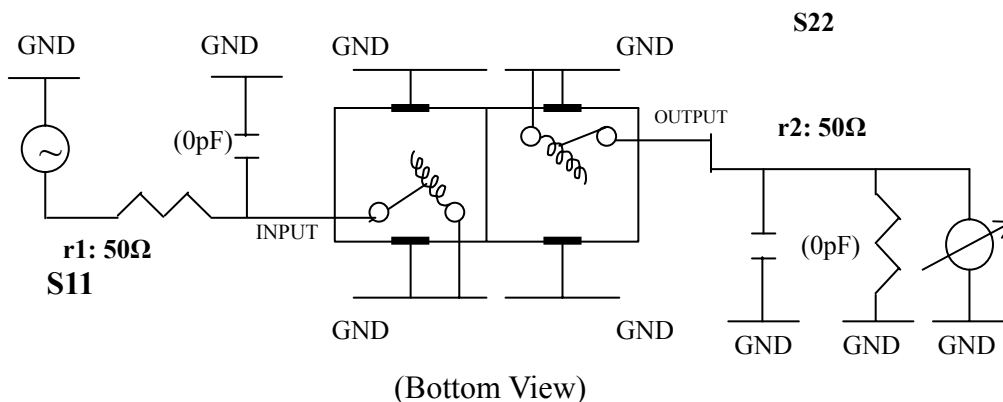
Customer Name		Temwell's Part No.	K2B1-380-10M
Approval No. /dated	0904102CD	Customer's Part No.	K2B1 380M
Work Instruction No.	200904102CD	Date	Feb.15.2009



(3)Electric Charasteric

Item	Specify
Center Freq.(Fo) +/- 0.5 %	380 MHz
Tunable Range:	380±4 MHz
Insertion Loss	Typ. 2.5 dB
-3 dB Bandwidth	Typ. 10 MHz
Sensitivity (Attenuation)	Fo - 50 MHz Typ. 48 dBc
	Fo + 50 MHz Typ. 26 dBc
	Fo - ()MHz Typ. dBc
	Fo +()MHz Typ. dBc
Return Loss	Min. 12 dB
Ripple	< 1 dB
Impedance	In / Out : 50 Ω
(4)Torque for Tuning Screw	> 60gf cm
(5)Temperature Condition:	
Operating Temperature	0 ~ +60
Storage Temperature	-20 ~ +70
(6)Input Power	> 1Watt

(7)Measuring Circuit: Easy to match Impedance S11/S22 50Ω by parallel with about (0) pF.



Approval	Supervisor	Designer	Aperture size
C.Y.Chang	C.K.Chang	W.W.Wang	7H2S(4*6.5)(6.55) (7H046RB4)

TEMWELL CORPORATION

Performance-K2B1-380M-10M

200904102CD

