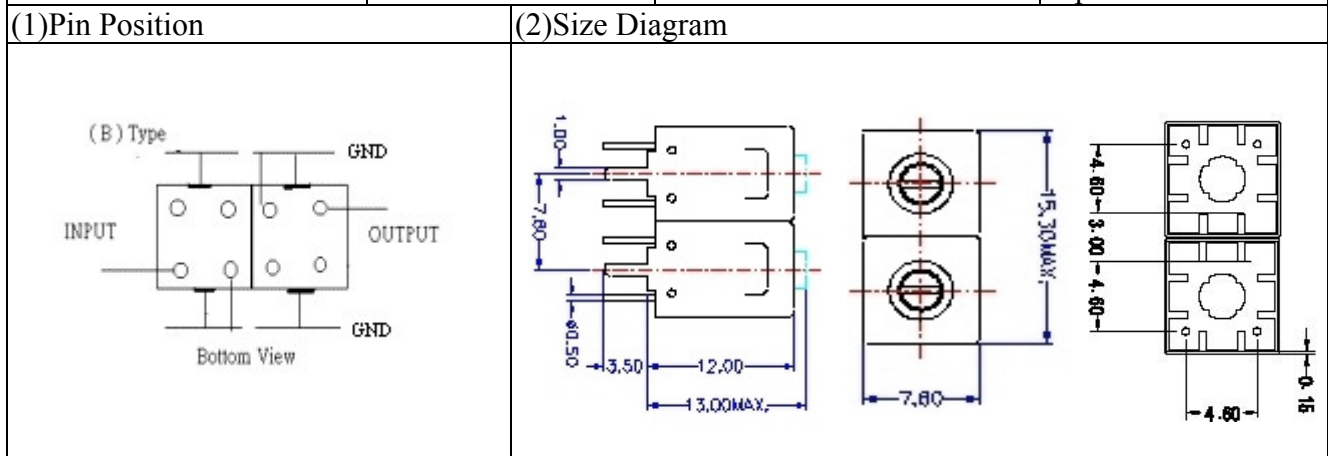


VHF UHF Helical Filter Specification Sheet

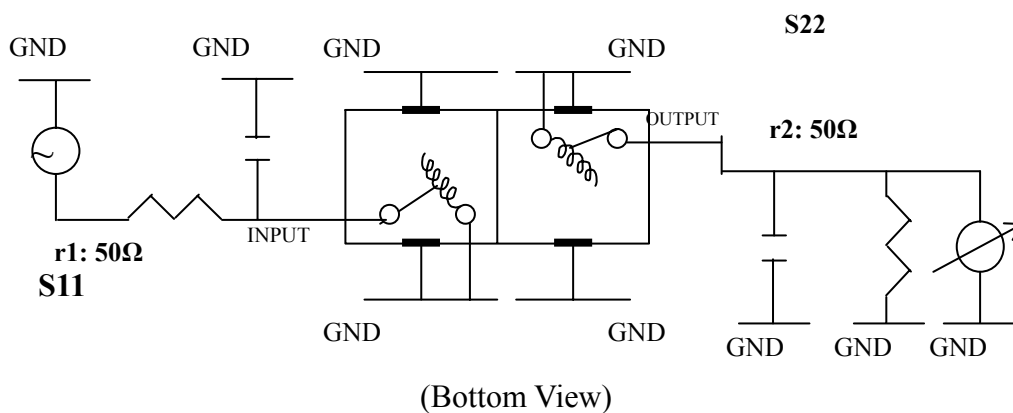
Customer Name		Temwell's Part No.	K2B1-405M-15M
Approval No. /dated		Temwell's Print name.	K2B1 405M
Work Instruction No.	201009087CD	Date	Sep.20.2010



(3) Electric Charasteric

Item	Specify	Performance
Center Freq.(Fo) +/- 0.75 %	405 MHz	405 MHz
Insertion Loss	Typ. 3.5 dB	1.61 dB
-3 dB Bandwidth	Typ. 15 MHz	19.6 MHz
Sensitivity (Attenuation)	Fo - 30 MHz	Typ. 15 dB
	Fo + 30 MHz	Typ. 13 dB
	Fo - ()MHz	Typ. dB
	Fo +()MHz	Typ. dB
Return Loss	Min. 12 dB	33.3 dB
Ripple	< 1 dB	dB
Impedance	In / Out : 50 Ω	In / Out : 50 Ω
(4) Torque for Tuning Screw	> 100gf cm	
(5) Temperature Condition:		
Operating Temperature	-30 ~ +70	
Storage Temperature	-30 ~ +80	
(6) Input Power	> 1Watt	

(7) Measuring Circuit: Easy to match Impedance S11/S22 50Ω/ by parallel with about(--)/(--).



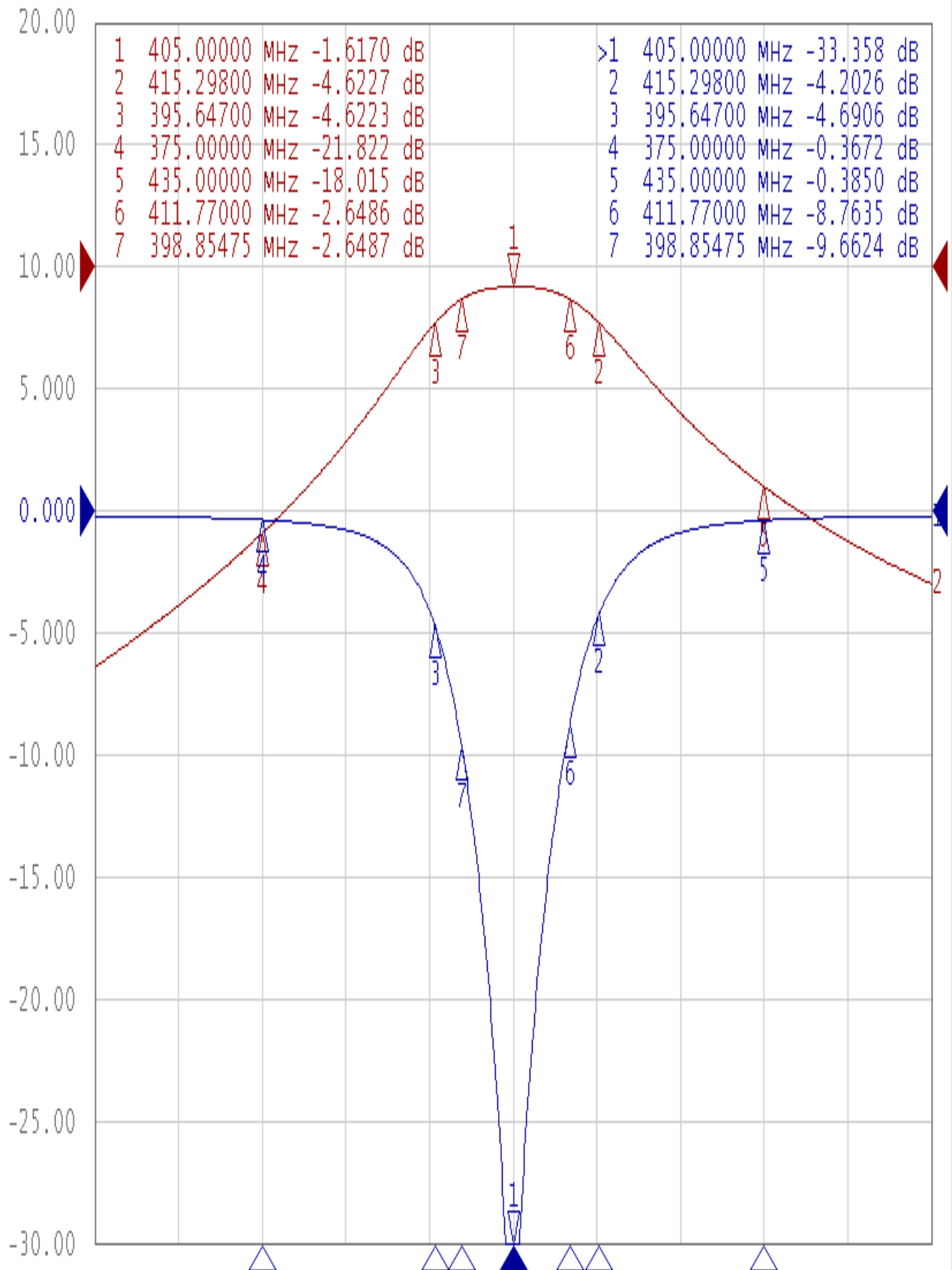
Approval C.Y.Chang	Supervisor C.K.Chang	Designer C.S.Chang	Aperture size 7H2S(4*4.65)(4.69) 7H046RB5.5
TEMWELL CORPORATION			

Performance-K2B1-405M-15M

201009087CD

▶ Tr1 S11 Log Mag 5.000dB/ Ref 0.000dB [F2]

Tr2 S21 Log Mag 10.00dB/ Ref 0.000dB [F2]



1 Center 405 MHz

IFBW 10 kHz

Span 100 MHz Cor !