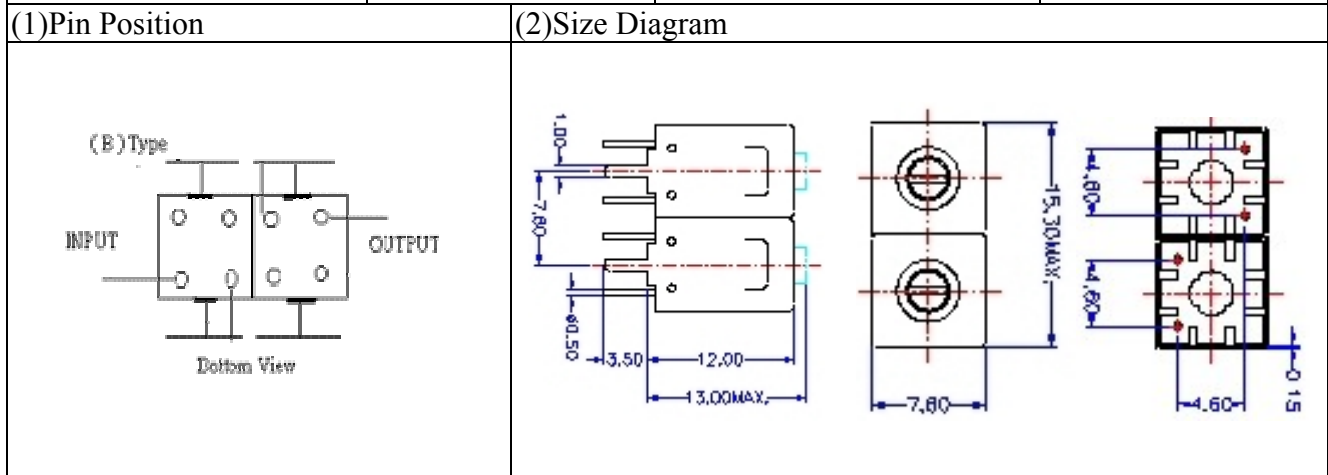


VHF UHF Helical Filter Specification Sheet

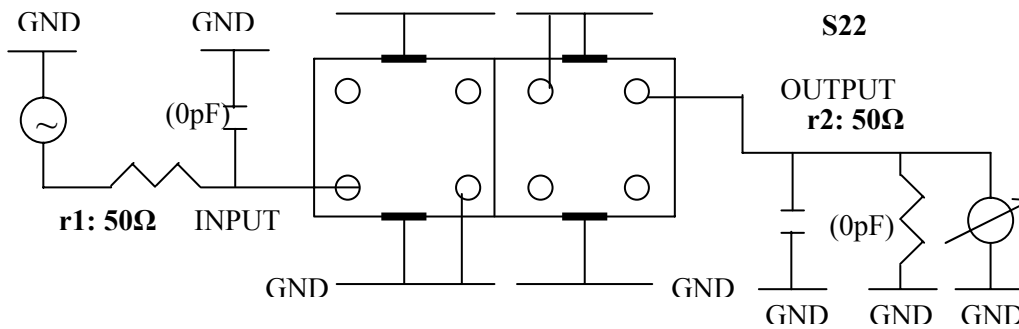
Customer Name		Temwell's Part No.	K2B1-410M-10M
Approval No. /dated	0904104CD	Temwell's Print name.	K2B1 410M
Work Instruction No.	200904104CD	Date	Jun.26.2009



(3) Electric Characteristic

Item	Specify	
Center Freq.(Fo) +/- 0.5 %	410	MHz
Insertion Loss	Typ. 2.5	dB
-3 dB Bandwidth	Typ. 10	MHz
Sensitivity (Attenuation)	Fo - 50 MHz	Typ. 30 dBc
	Fo + 50 MHz	Typ. 20 dBc
	Fo - ()MHz	Typ. dBc
	Fo +()MHz	Typ. dBc
Return Loss	Min. 12	dB
Ripple	< 1	dB
Impedance	In / Out : 50 Ω	
(4) Torque for Tuning Screw	> 100gf cm	
(5) Temperature Condition:		
Operating Temperature	0 ~ +60	
Storage Temperature	20 ~ +70	
(6) Input Power	> 1Watt	

(7) Measuring Circuit: Easy to match Impedance S11/S22 50Ω by parallel with about (0) pF.



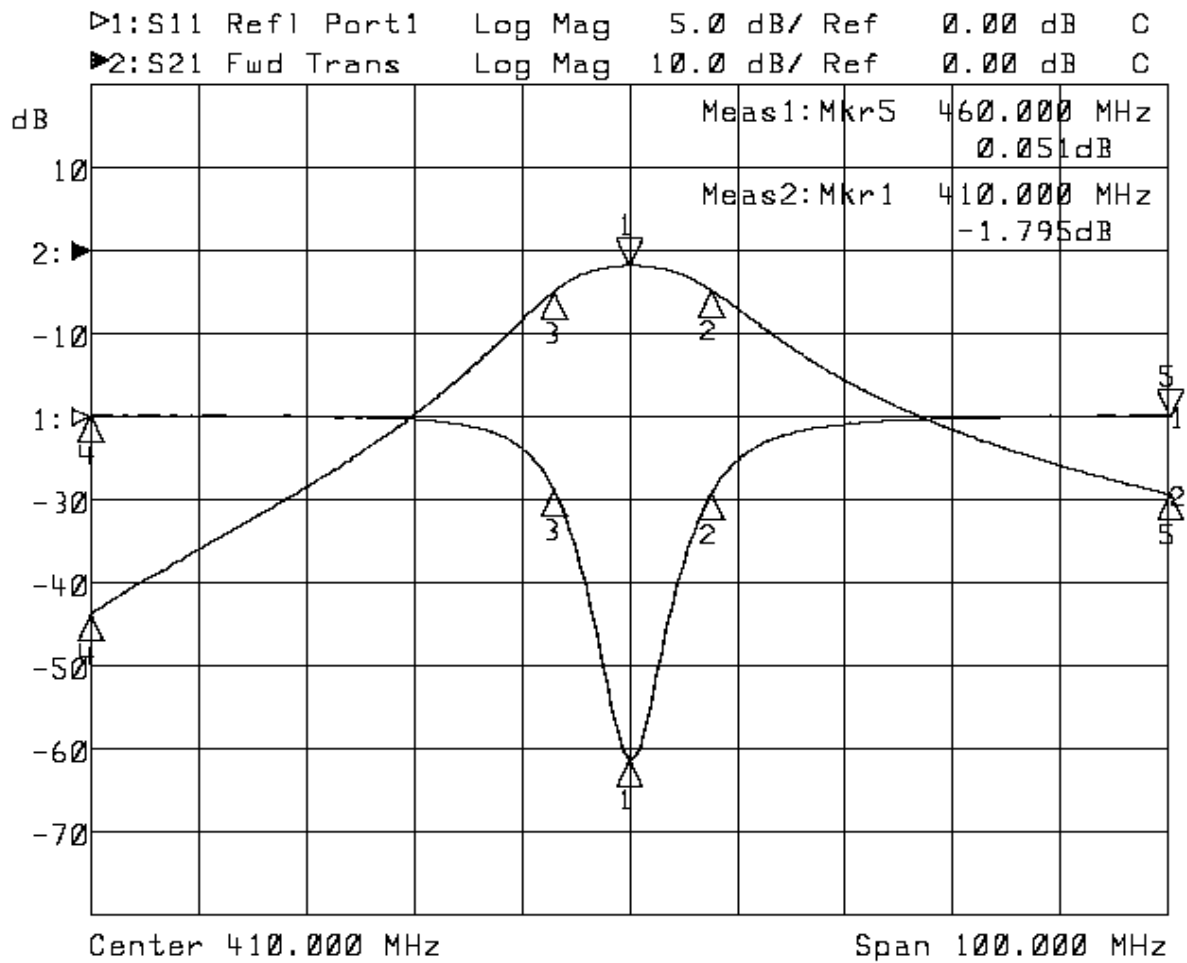
(Bottom View)

Approval C.Y.Chang	Supervisor C.K.Chang	Designer W.W.Wang	Aperture size 7H2S(4*6.5)(4*6.58) 7H046RB4
-----------------------	-------------------------	----------------------	--

TEMWELL CORPORATION

Performance-K2B1-410M-10M

200904104CD



1: Mkr (MHz)	dB	2: Mkr (MHz)	dB
1: 410.0000	-20.621	1> 410.0000	-1.795
2: 417.6667	-4.600	2: 417.6667	-4.774
3: 403.0333	-4.423	3: 403.0333	-4.879
4: 360.0000	0.072	4: 360.0000	-43.828
5> 460.0000	0.051	5: 460.0000	-29.273