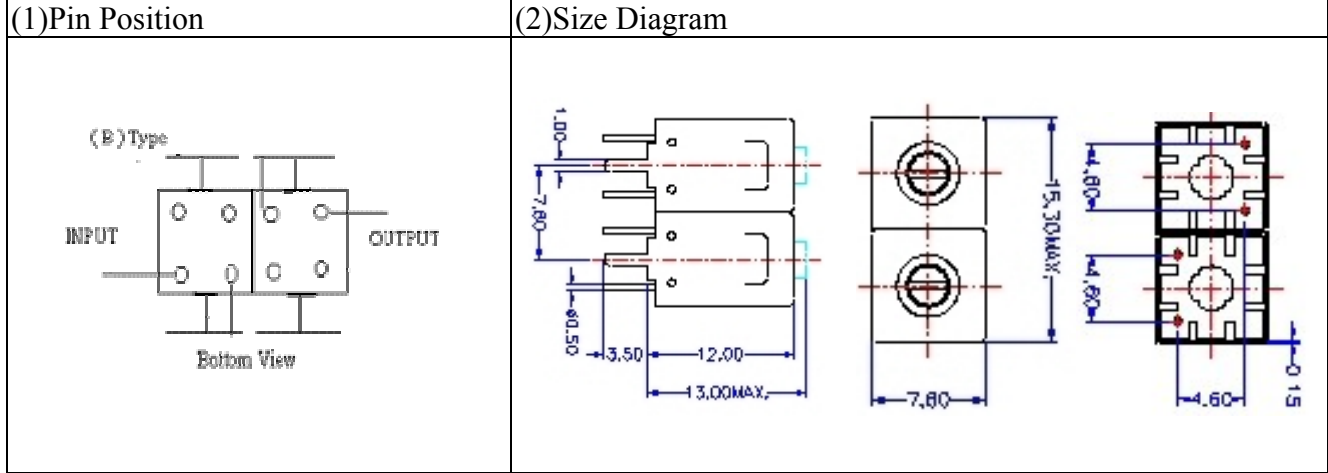


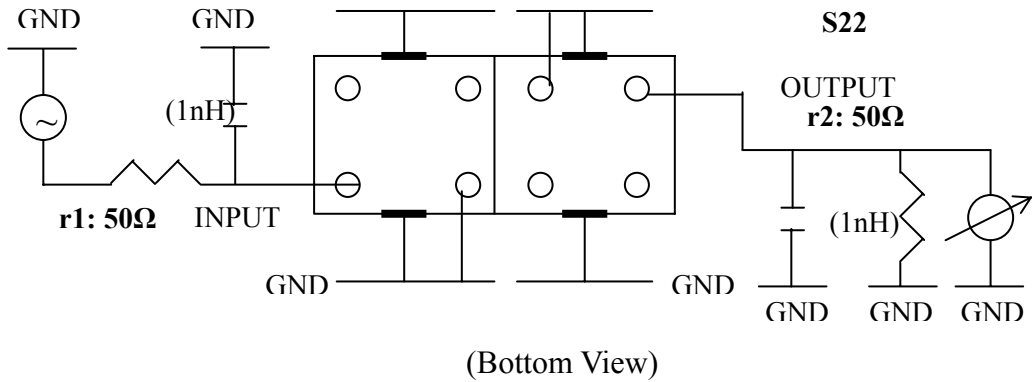
VHF UHF Helical Filter Specification Sheet

Customer Name		Temwell's Part No.	K2B1-450M-11M
Approval No. /dated	20402059DC	Customer's Part No.	
Work Instruction No.	20402059DC	Date	Feb.13.2004



(3) Electric Characteristic	
Item	Specify
Center Freq.(Fo) +/- 0.5 %	450 MHz
Tunable Range: Fo±5MHz Fo±10MHz Fo±15MHz	450±5 MHz
Insertion Loss	Max. 2.5 dB
-3 dB Bandwidth	Typ. 11 MHz
Sensitivity (Attenuation)	Fo - 50 MHz Typ. 30 dBc
	Fo + 50 MHz Typ. 20 dBc
	Fo - ()MHz Typ. dBc
	Fo +()MHz Typ. dBc
Return Loss	Min. 12 dB
Ripple	< 1 dB
Impedance	In / Out : 50 Ω
(4) Torque for Tuning Screw	
> 60gf cm	
(5) Temperature Condition:	
Operating Temperature	0 ~ +60
Storage Temperature	20 ~ +70
(6) Input Power	
> 1 Watt	

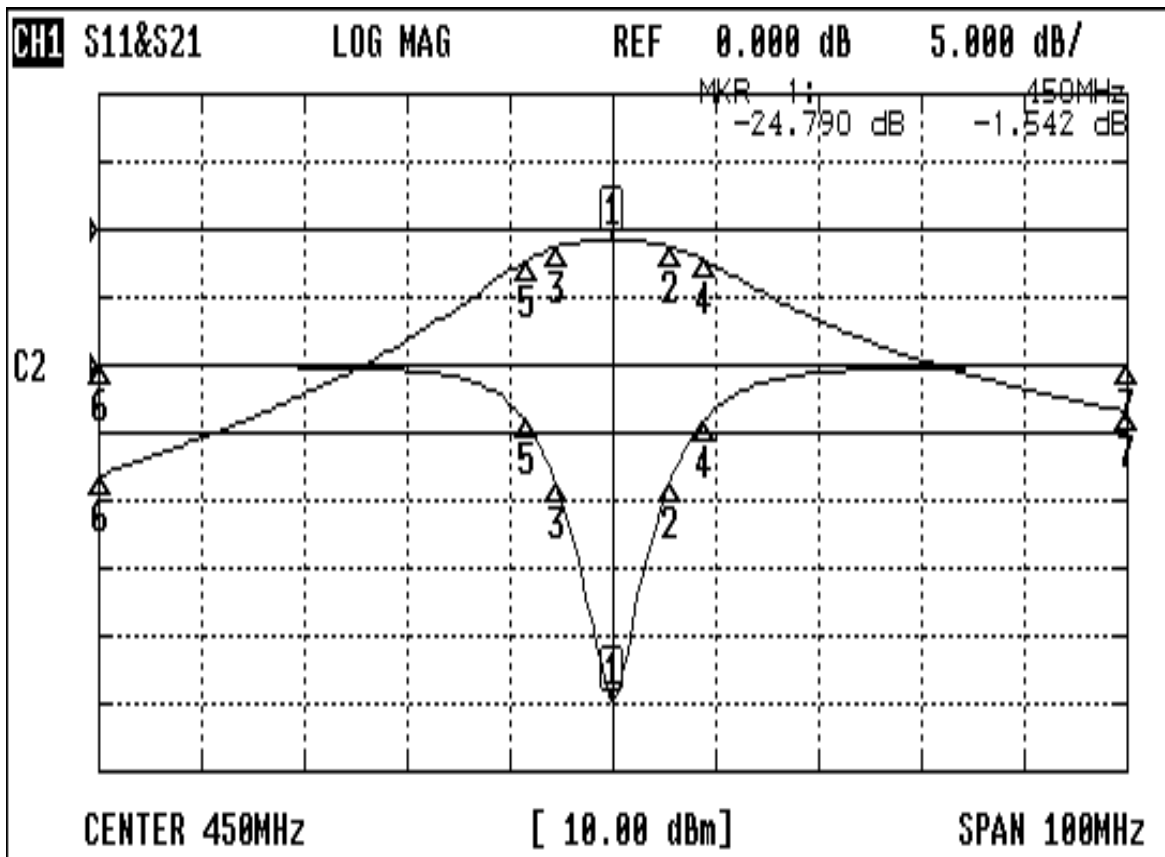
(7) Measuring Circuit: Easy to match Impedance 50Ω by parallel with about (1) nH.



Approval	Supervisor	Designer	Aperture size
C.Y.Chang	C.S.Chang	Enlan	7H2(4*6.5)(4*6.57)F 7H046RB4
TEMWELL CORPORATION			

Performance-K2B1-450M-11M

20402059DC



CH1 MARKER LIST

1:	450.000MHz	-24.790 dB	-1.542 dB
2:	455.666MHz	-8.653 dB	-2.589 dB
3:	444.583MHz	-8.845 dB	-2.536 dB
4:	458.916MHz	-4.189 dB	-4.581 dB
5:	441.583MHz	-4.141 dB	-4.556 dB
6:	400.000MHz	-0.045 dB	-36.340 dB
7:	500.000MHz	-0.047 dB	-26.838 dB
8:			
9:			
10:			