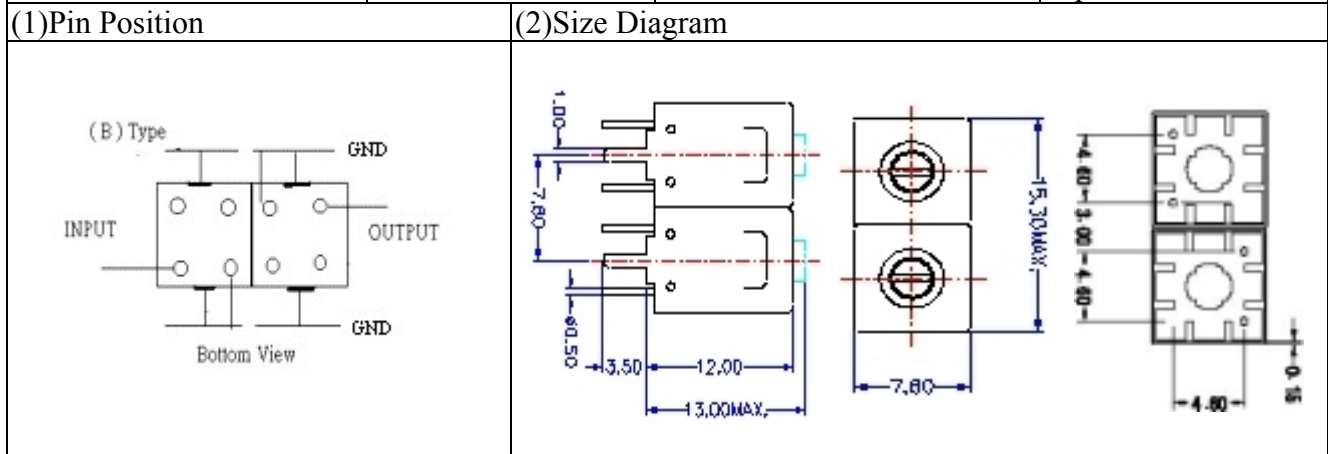


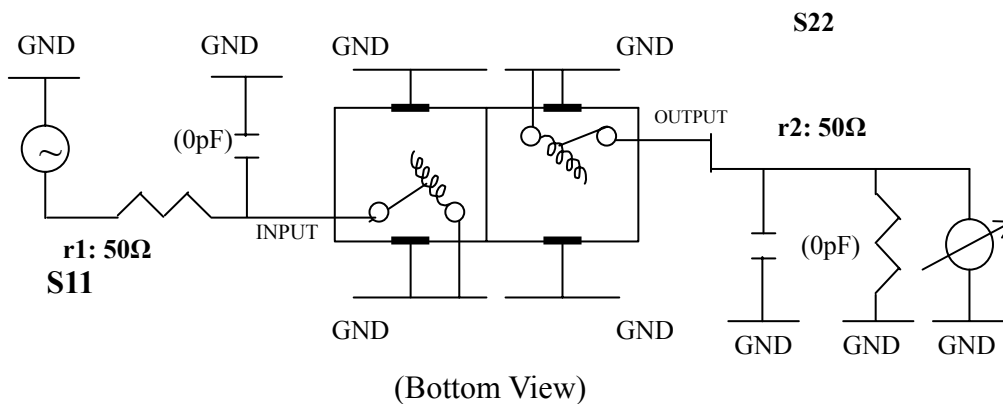
VHF UHF Helical Filter Specification Sheet

Customer Name		Temwell's Part No.	K2B1-490M-13M
Approval No. /dated	0909014CD	Customer's Part No.	K2B1 490M
Work Instruction No.	200909014CD	Date	Sep.22.09



(3) Electric Charasteric	
Item	Specify
Center Freq.(Fo) +/- 0.5 %	490 MHz
Insertion Loss	Typ. 2.5 dB
-3 dB Bandwidth	Typ. 13 MHz
Sensitivity (Attenuation)	Fo - 50 MHz Typ. 20 dBc
	Fo + 50 MHz Typ. 15 dBc
	Fo - ()MHz Typ. dB
	Fo +()MHz Typ. dB
Return Loss	Min. 12 dB
Ripple	< 1 dB
Impedance	In / Out : 50 Ω
(4) Torque for Tuning Screw	> 100gf cm
(5) Temperature Condition:	
Operating Temperature	0 ~ +60
Storage Temperature	-20 ~ +70
(6) Input Power	> 1Watt

(7) Measuring Circuit: Easy to match Impedance S11/S22 50Ω by parallel with about (0) pF.



Approval C.Y.Chang	Supervisor C.K.Chang	Designer L.F.Lai	Aperture size 7H2S(4*5.5)(5.59) 7H046RB4
-----------------------	-------------------------	---------------------	--

TEMWELL CORPORATION

