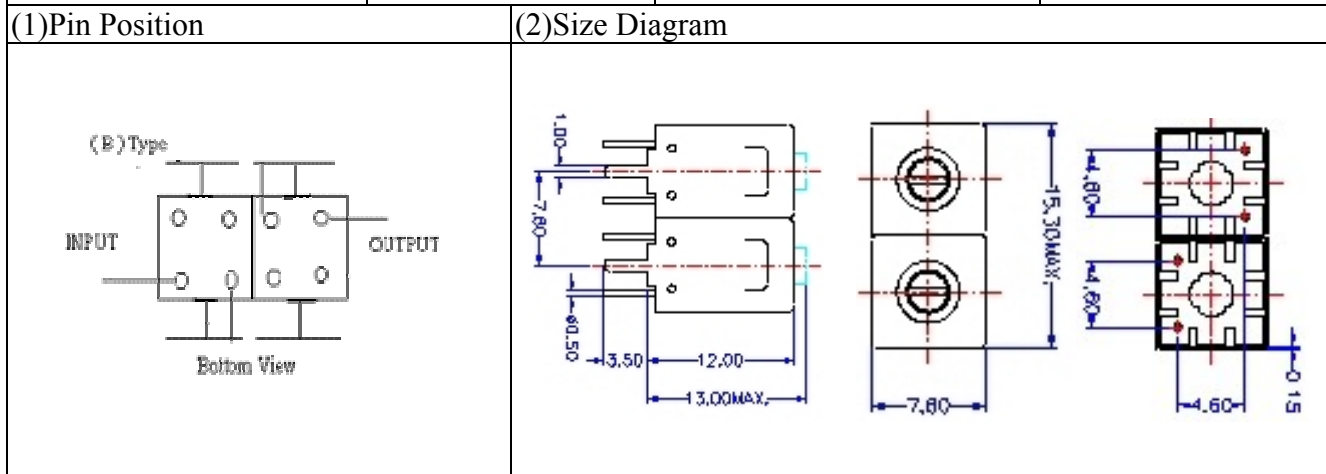


VHF UHF Helical Filter Specification Sheet

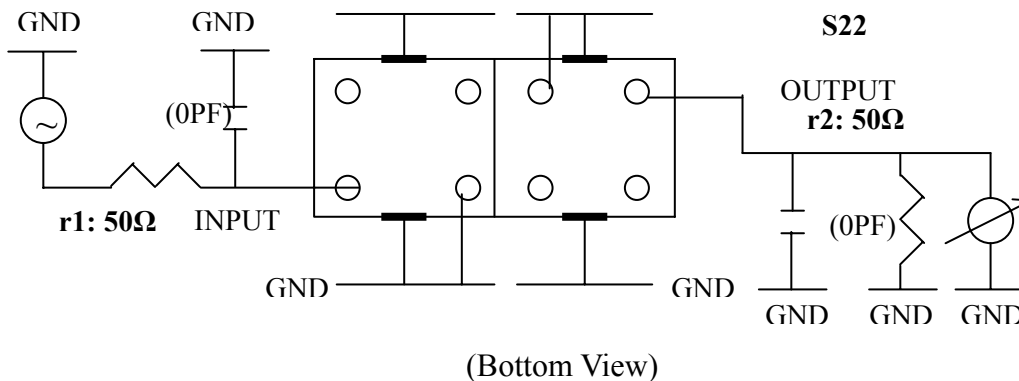
Customer Name		Temwell's Part No.	K2B1-505M-13M
Approval No. /dated	20402063DC	Customer's Part No.	
Work Instruction No.	20402063DC	Date	Feb.14.2004



(3) Electric Characteristic

Item	Specify
Center Freq.(Fo) +/- 0.5 %	505 MHz
Tunable Range: Fo±5MHz Fo±10MHz Fo±15MHz	505±5 MHz
Insertion Loss	Typ. 2.5 dB
-3 dB Bandwidth	Typ. 13 MHz
Sensitivity (Attenuation)	Fo - 50 MHz Typ. 25 dBc
	Fo + 50 MHz Typ. 20 dBc
	Fo - ()MHz Typ. dBc
	Fo +()MHz Typ. dBc
Return Loss	Min. 12 dB
Ripple	< 1 dB
Impedance	In / Out : 50 Ω
(4) Torque for Tuning Screw	> 60gf cm
(5) Temperature Condition:	
Operating Temperature	0 ~ +60
Storage Temperature	20 ~ +70
(6) Input Power	> 1Watt

(7) Measuring Circuit: Easy to match Impedance 50Ω by parallel with about (0) PF.



Approval	Supervisor	Designer	Aperture size
C.Y.Chang	C.S.Chang	Enlan	7H2(4*6.5)(4*6.6)F 7H046RB4

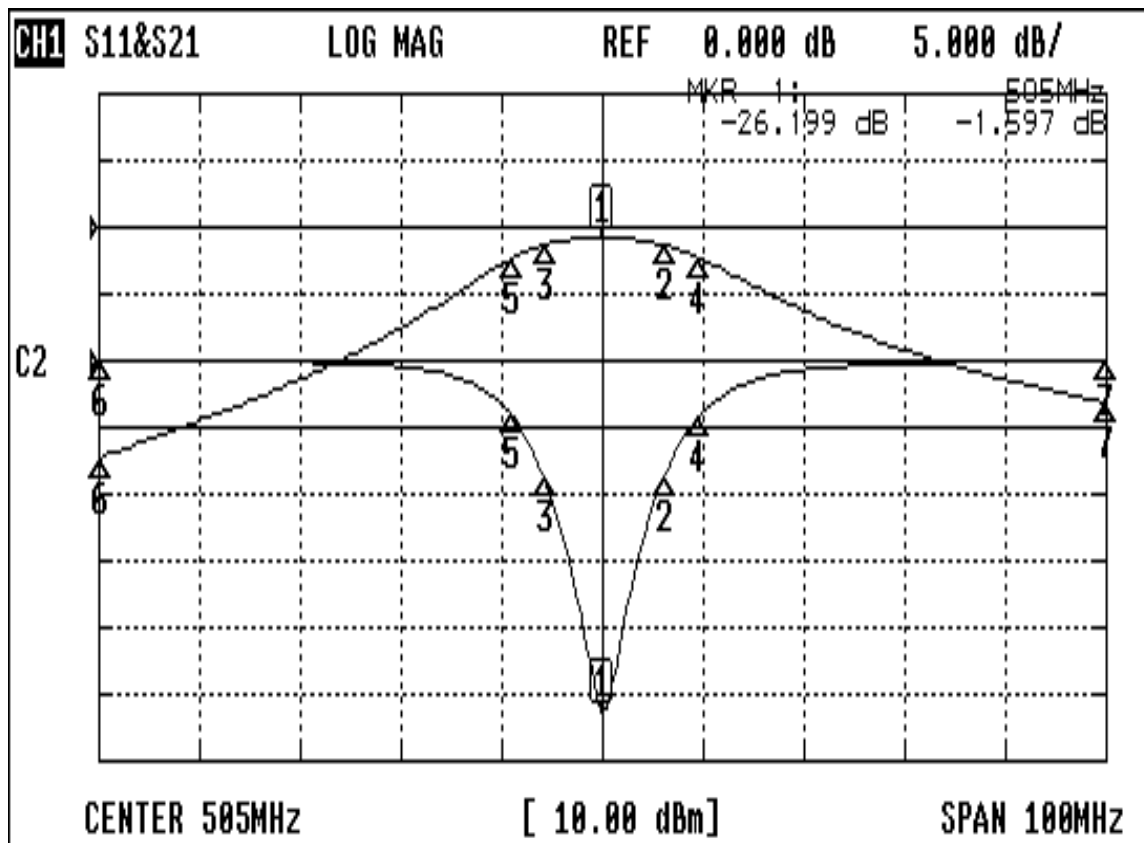
TEMWELL CORPORATION

TEMWELL

Form10-7H2B Vision D

Performance-K2B1-505M-13M

20402063DC



CH1 MARKER LIST

1:	505.000MHz	-26.199 dB	-1.597 dB
2:	511.166MHz	-8.748 dB	-2.633 dB
3:	499.250MHz	-8.792 dB	-2.638 dB
4:	514.666MHz	-4.135 dB	-4.599 dB
5:	496.083MHz	-4.150 dB	-4.646 dB
6:	455.000MHz	0.004 dB	-34.510 dB
7:	555.000MHz	-0.028 dB	-26.204 dB
8:			
9:			
10:			