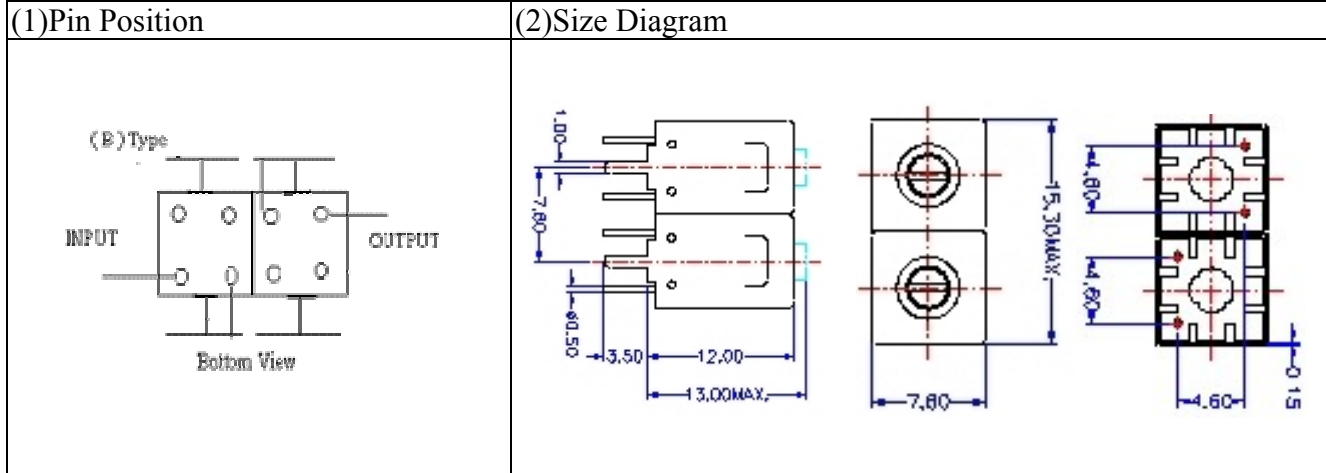


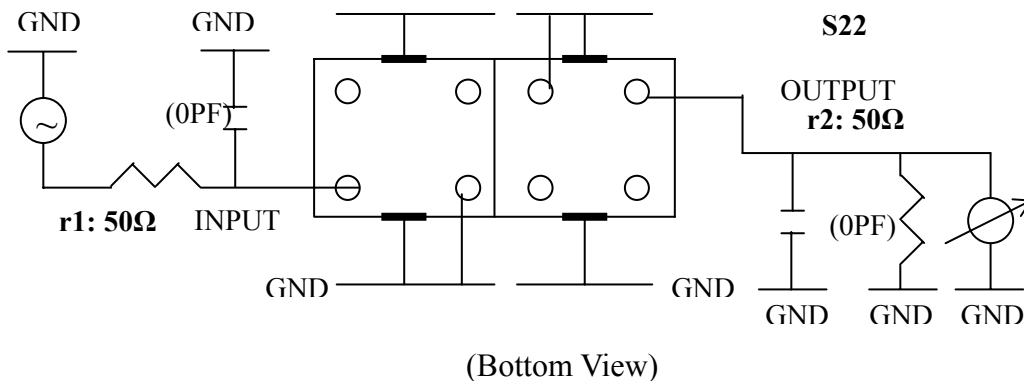
VHF UHF Helical Filter Specification Sheet

Customer Name		Temwell's Part No.	K2B1-525M-13M
Approval No. /dated	20402064DC	Customer's Part No.	
Work Instruction No.	20402064DC	Date	Feb.16. 2004



(3) Electric Characteristic		Item	Specify
		Center Freq.(Fo) +/- 0.5 %	525 MHz
		Tunable Range: Fo±5MHz Fo±10MHz Fo±15MHz	525±5 MHz
		Insertion Loss	Typ. 2.5 dB
		-3 dB Bandwidth	Typ. 11 MHz
Sensitivity (Attenuation)	Fo - 50 MHz	Typ.	25 dBc
	Fo + 50 MHz	Typ.	20 dBc
	Fo - ()MHz	Typ.	dBc
	Fo +()MHz	Typ.	dBc
		Return Loss	Min. 12 dB
		Ripple	< 1 dB
		Impedance	In / Out : 50 Ω
(4) Torque for Tuning Screw		> 60gf cm	
(5) Temperature Condition:			
Operating Temperature		0 ~ +60	
Storage Temperature		20 ~ +70	
(6) Input Power		> 1 Watt	

(7) Measuring Circuit: Easy to match Impedance 50Ω by parallel with about (0) PF.

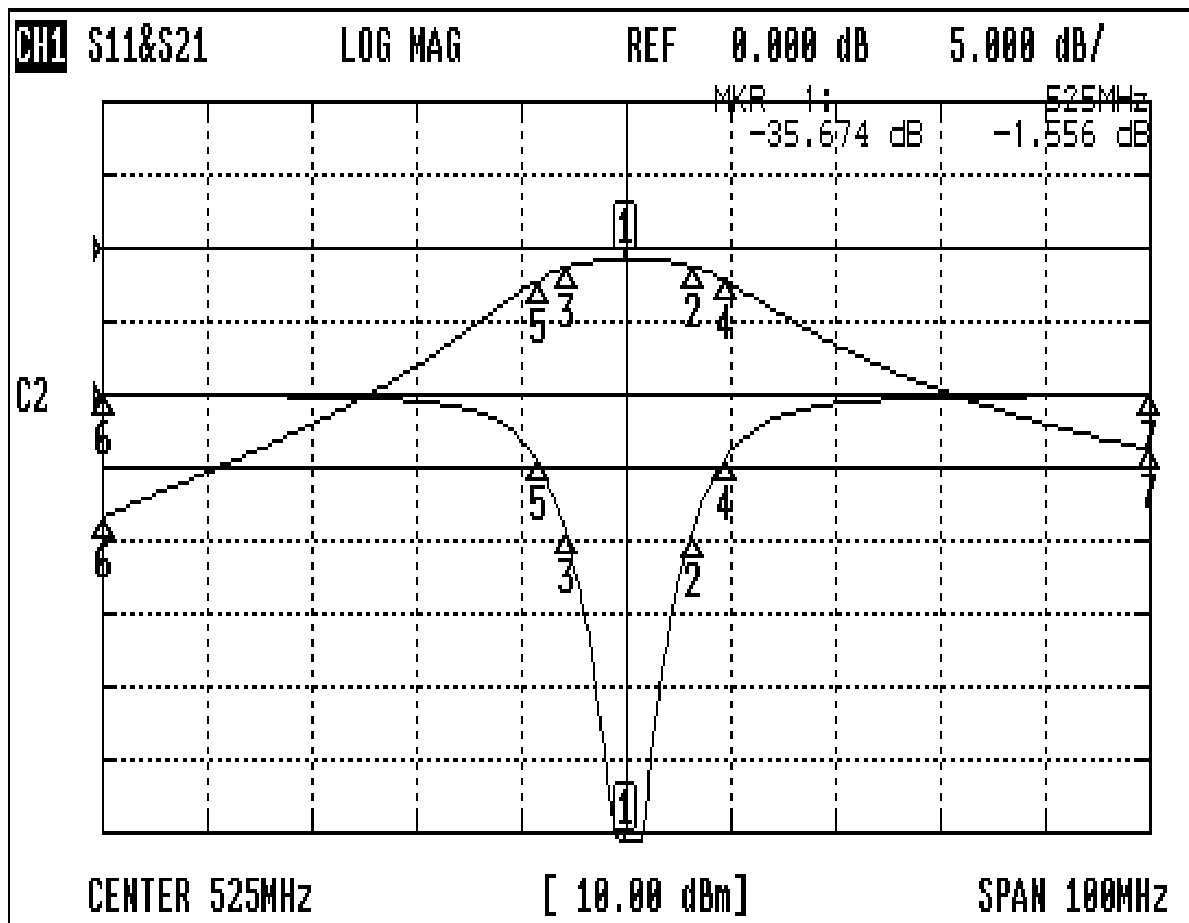


Approval	Supervisor	Designer	Aperture size
C.Y.Chang	C.S.Chang	Enlan	7H2(4*5.5)(4*5.6)F 7H046RB4

TEMWELL CORPORATION

Performance-K2B1-525M-13M

20402064DC



CH1 MARKER LIST

1:	525.000MHz	-35.674 dB	-1.556 dB
2:	531.333MHz	-9.529 dB	-2.534 dB
3:	519.333MHz	-9.579 dB	-2.580 dB
4:	534.583MHz	-4.375 dB	-4.515 dB
5:	516.500MHz	-4.524 dB	-4.507 dB
6:	475.000MHz	-0.850 dB	-36.777 dB
7:	575.000MHz	-0.072 dB	-27.595 dB
8:			
9:			
10:			