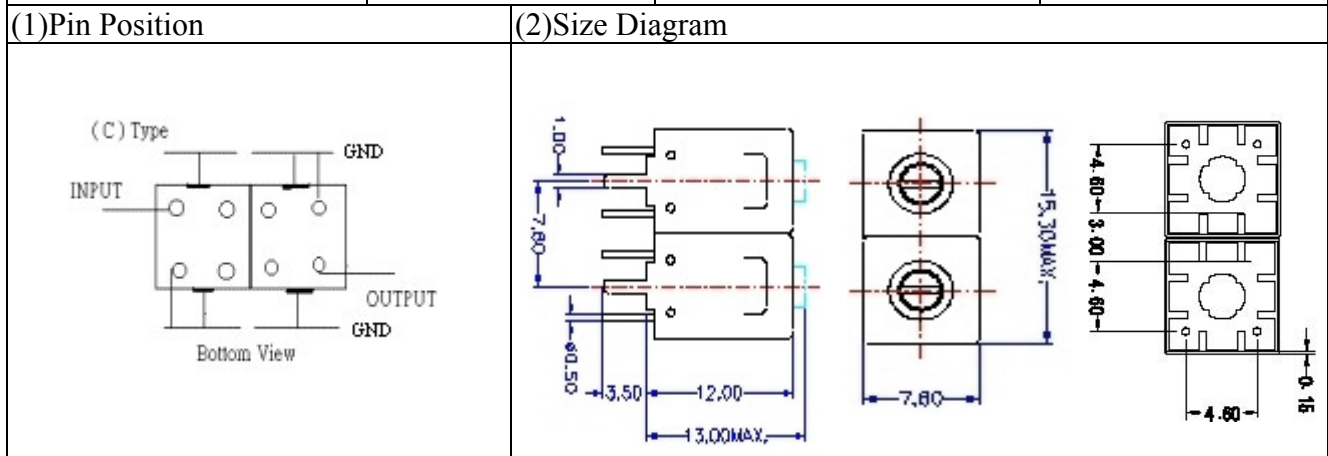


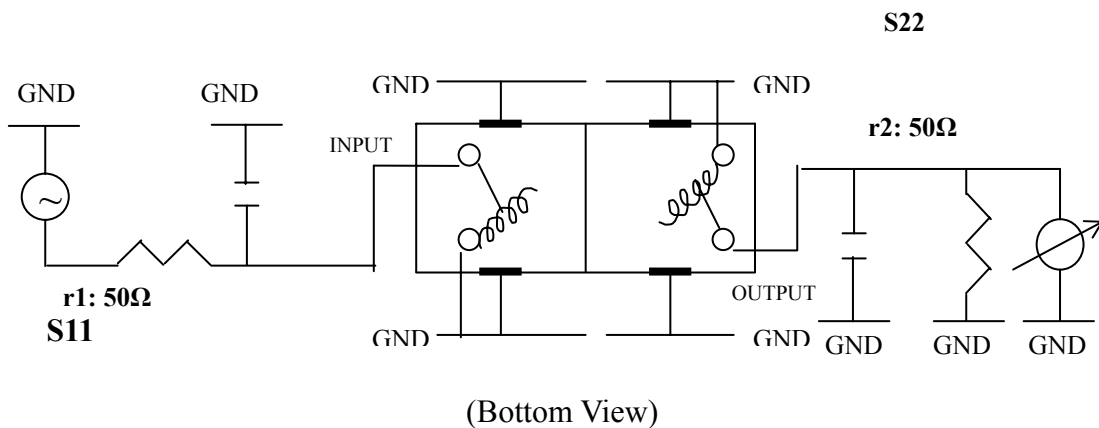
VHF UHF Helical Filter Specification Sheet

Customer Name		Temwell's Part No.	K2C-600M-15M
Approval No. /dated		Temwell's Print name.	K2C 600M
Work Instruction No.	201011076C	Date	Nov.03.2010



(3) Electric Charasteric	
Item	Specify
Center Freq.(Fo) +/- 0.5 %	600 MHz
Insertion Loss	Typ. 3.0 dB
-3 dB Bandwidth	Typ. 15 MHz
Sensitivity (Attenuation)	Fo - 30 MHz Typ. 20 dBc
	Fo + 30 MHz Typ. 15 dBc
	Fo - () MHz Typ. dBc
	Fo +() MHz Typ. dBc
Return Loss	Min. 12 dB
Ripple	< 1 dB
Impedance	In / Out : 50 Ω
(4) Torque for Tuning Screw	> 100gf cm
(5) Temperature Condition:	
Operating Temperature	0 ~ +60
Storage Temperature	-20 ~ +70
(6) Input Power	> 1Watt

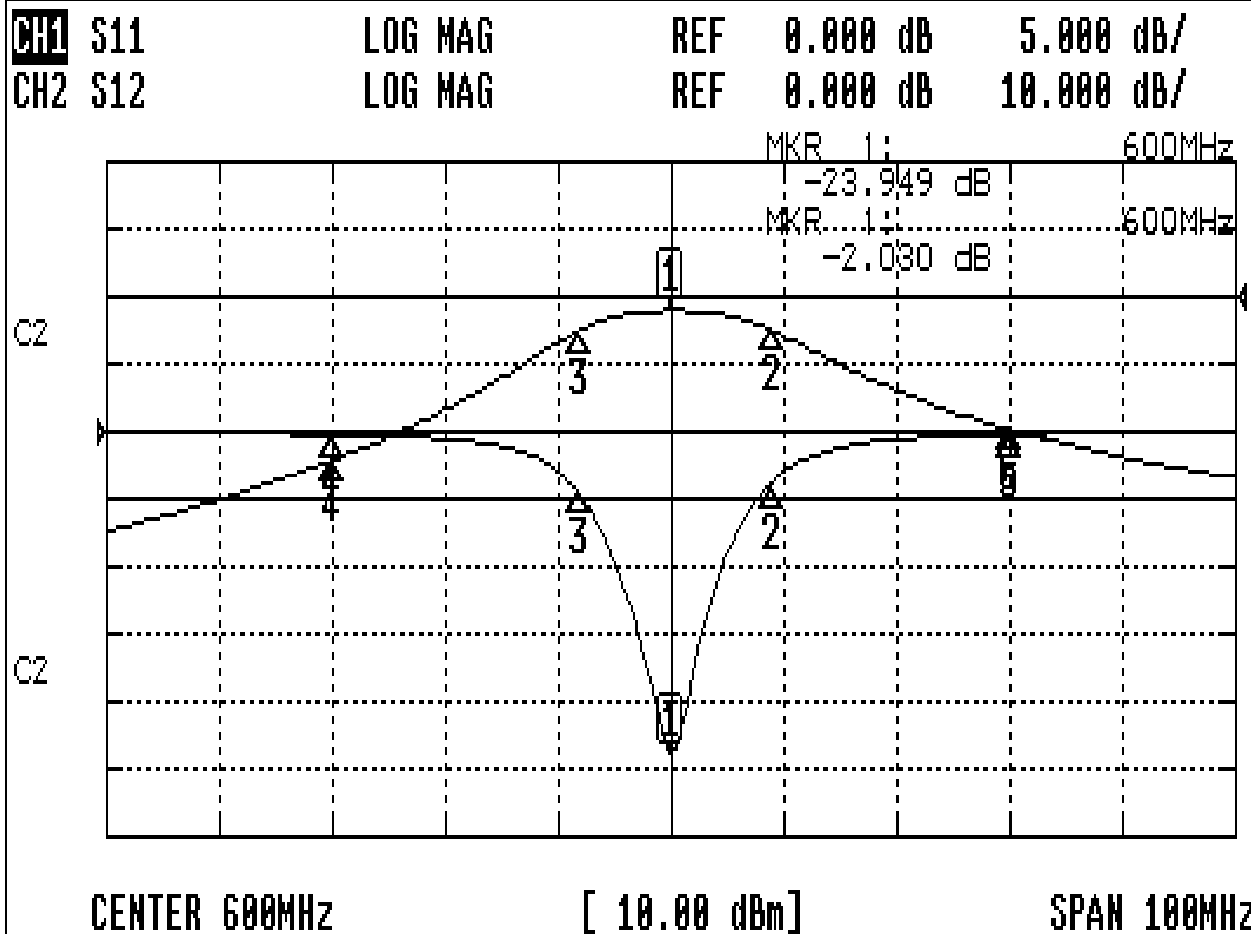
(7) Measuring Circuit: Easy to match Impedance S11/S22 50Ω by parallel with about().



Approval C.Y.Chang	Supervisor C.K.Chang	Designer P.H.Chiang	Aperture size 7H2S-4*5.35(5.39) 7H046RB4
TEMWELL CORPORATION			

Performance-K2C-600M-15M

201011076C



CH1 MARKER LIST

1:	600.000MHz	-23.936 dB
2:	608.916MHz	-3.783 dB
3:	617.833MHz	-4.504 dB
4:	626.750MHz	-0.189 dB
5:	635.667MHz	-0.195 dB

CH2 MARKER LIST

1:	600.000MHz	-2.030 dB
2:	608.916MHz	5.045 dB
3:	617.833MHz	5.061 dB
4:	626.750MHz	-24.246 dB
5:	635.667MHz	-19.677 dB