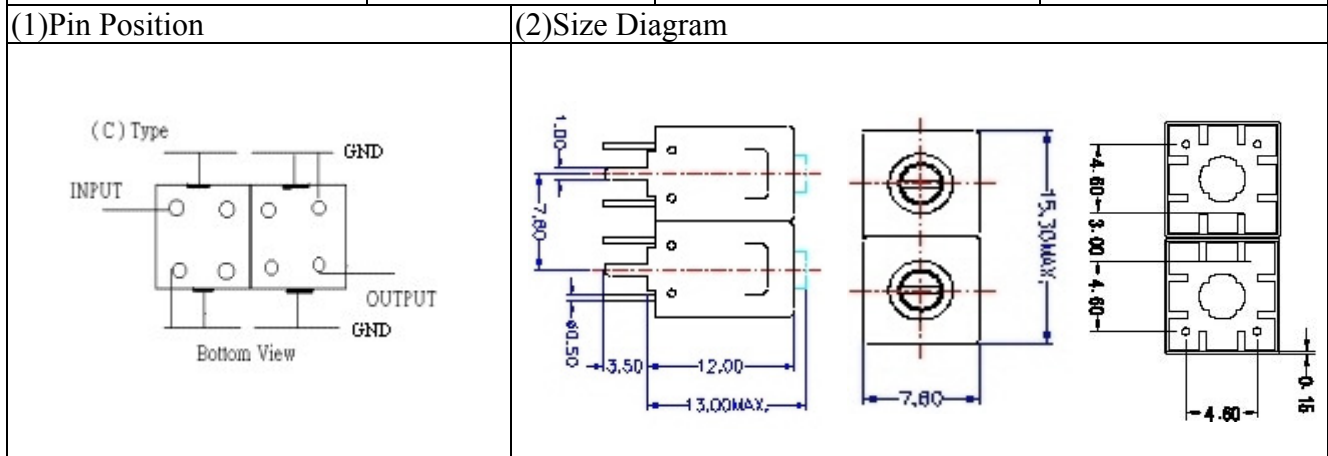


VHF UHF Helical Filter Specification Sheet

Customer Name		Temwell's Part No.	K2C-680M-18M
Approval No. /dated	201010089CD	Temwell's Print name.	K2C 680M
Work Instruction No.	201010089CD	Date	Nov.10.2010



(3) Electric Charasteric

Item	Specify	
Center Freq.(Fo) +/- 0.5 %	680	MHz
Insertion Loss	Typ. 3.0	dB
-3 dB Bandwidth	Typ. 18	MHz
Sensitivity (Attenuation)	Fo - 30 MHz	Typ. 16 dBc
	Fo + 30 MHz	Typ. 13 dBc
	Fo - () MHz	Typ. dBc
	Fo +() MHz	Typ. dBc
Return Loss	Min. 12	dB
Ripple	< 1	dB
Impedance	In / Out : 50 Ω	

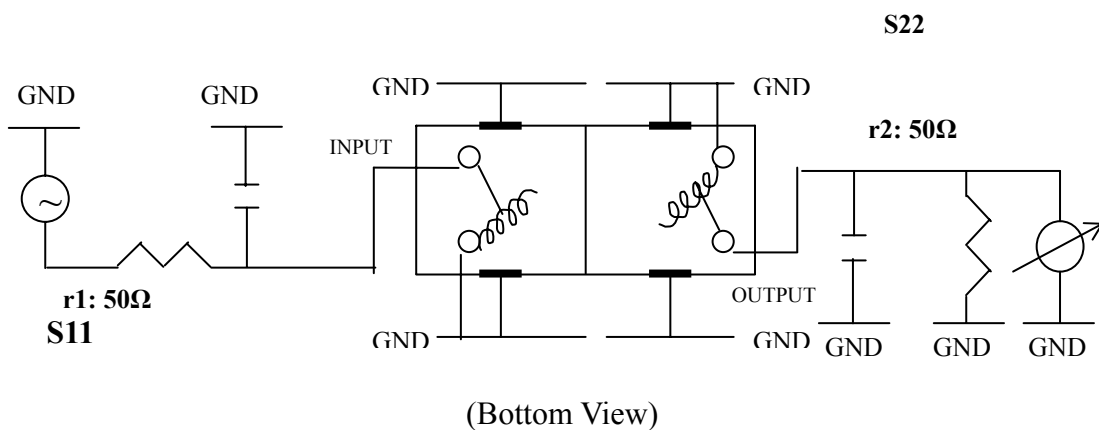
(4) Torque for Tuning Screw > 100gf cm

(5) Temperature Condition:

Operating Temperature	0 ~ +60
Storage Temperature	-20 ~ +70

(6) Input Power > 1Watt

(7) Measuring Circuit: Easy to match Impedance S11/S22 50Ω by parallel with about().



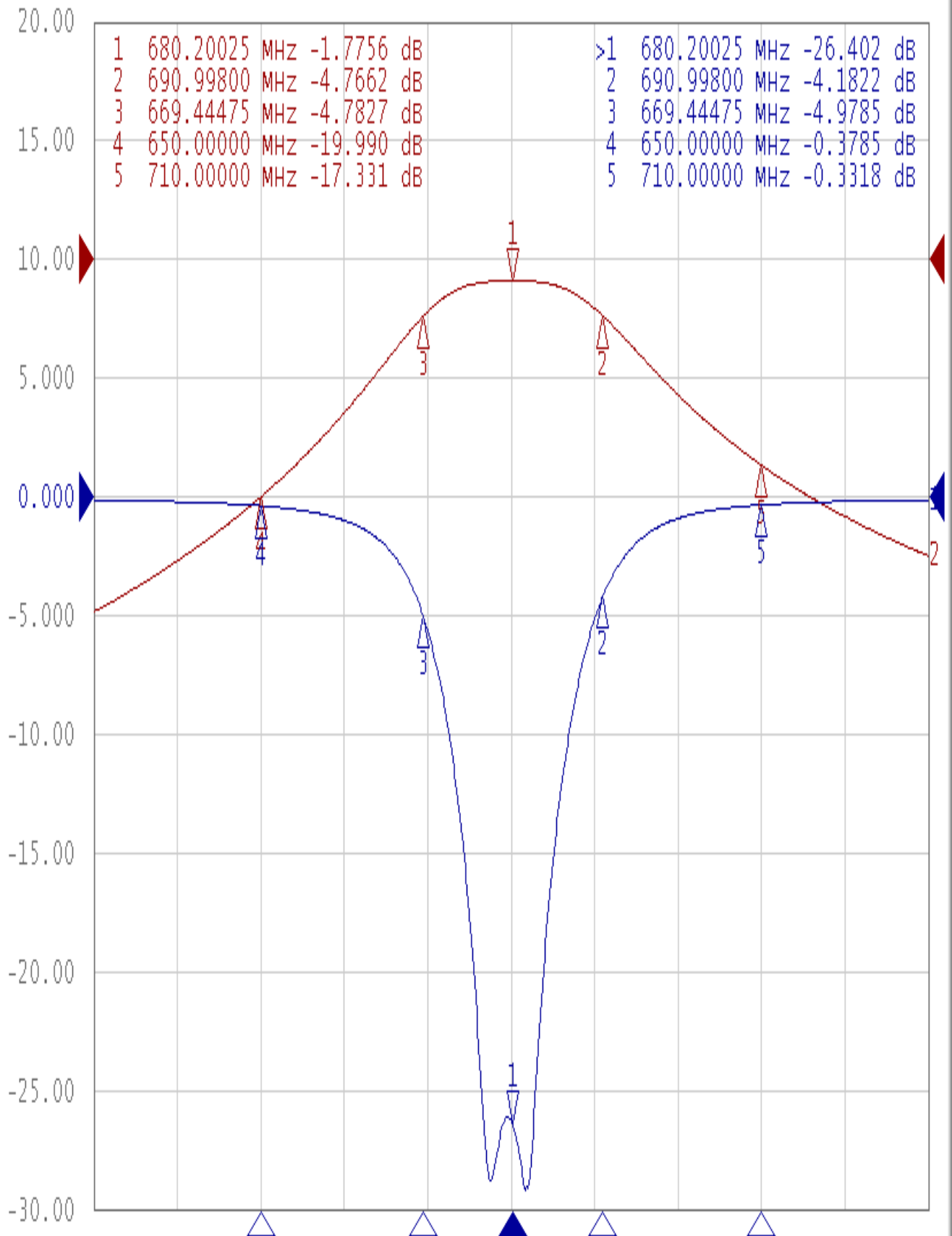
Approval C.Y.Chang	Supervisor C.K.Chang	Designer C.S.Chang	Aperture size 7H2S-4*4.65(4.68) 7H046RB4.3 聚 3
-----------------------	-------------------------	-----------------------	--

TEMWELL CORPORATION

Performance-K2C-680M-18M

201010089CD

Tr1 S11 Log Mag 5.000dB/ Ref 0.000dB [F2]
Tr2 S21 Log Mag 10.00dB/ Ref 0.000dB [F2]



1 Center 680 MHz

IFBW 10 kHz

Span 100 MHz Cor !