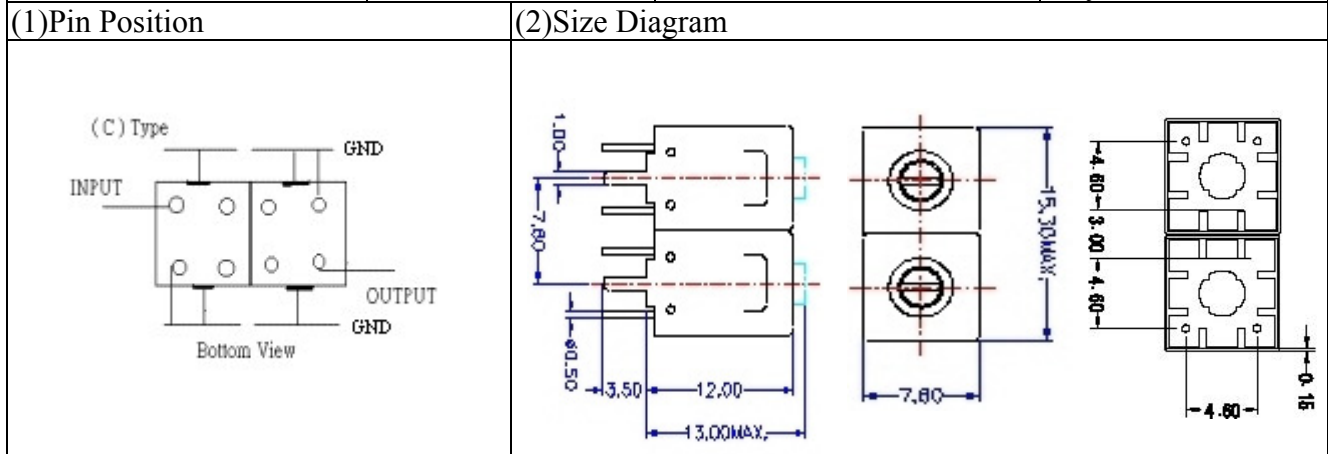


# VHF UHF Helical Filter Specification Sheet

|                      |            |                       |              |
|----------------------|------------|-----------------------|--------------|
| Customer Name        |            | Temwell's Part No.    | K2C-870M-25M |
| Approval No. /dated  |            | Temwell's Print name. | K2C<br>870M  |
| Work Instruction No. | 201012066C | Date                  | May.13.2011  |



### (3)Electric Charasteric

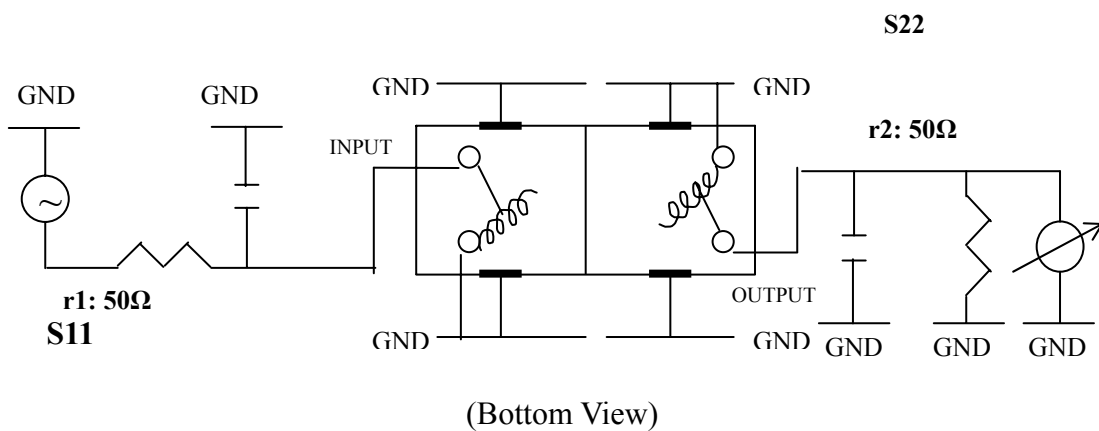
| Item                          | Specify         |            |
|-------------------------------|-----------------|------------|
| Center Freq.(Fo ) +/- 0.75 %  | 870             | MHz        |
| Insertion Loss                | Typ. 2.5        | dB         |
| -3 dB Bandwidth               | Typ. 25         | MHz        |
| Sensitivity<br>(Attenuation ) | Fo - 30 MHz     | Typ. 8 dBc |
|                               | Fo + 30 MHz     | Typ. 7 dBc |
|                               | Fo - ( ) MHz    | Typ. dBc   |
|                               | Fo +( ) MHz     | Typ. dBc   |
| Return Loss                   | Min. 12         | dB         |
| Ripple                        | < 1             | dB         |
| Impedance                     | In / Out : 50 Ω |            |
| (4)Torque for Tuning Screw    | > 100gf cm      |            |

### (5)Temperature Condition:

|                       |           |
|-----------------------|-----------|
| Operating Temperature | 0 ~ +60   |
| Storage Temperature   | -20 ~ +70 |

### (6)Input Power

(7)Measuring Circuit: Easy to match Impedance S11/S22 50Ω by parallel with about(--).



|           |            |           |                                     |
|-----------|------------|-----------|-------------------------------------|
| Approval  | Supervisor | Designer  | Aperture size                       |
| C.Y.Chang | C.K.Chang  | C.S.Chang | 7H2S(4*5.5)(5.58)<br>7H046RB4.3 聚 3 |

TEMWELL CORPORATION

