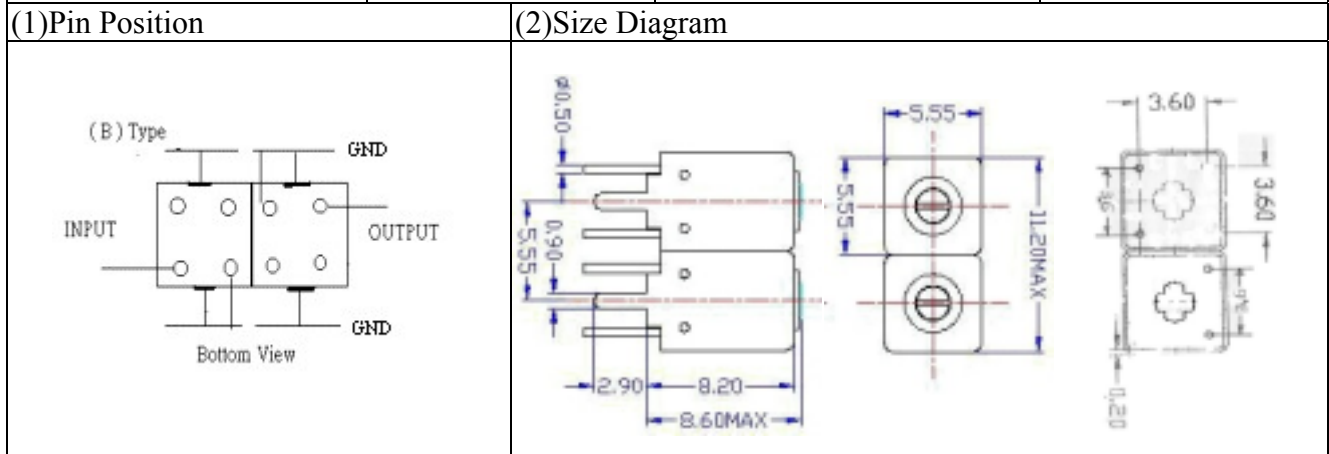


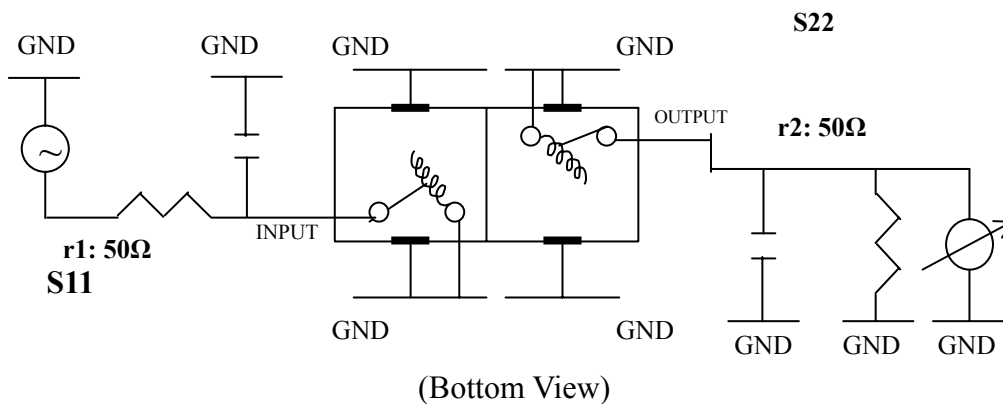
# VHF UHF Helical Filter Specification Sheet

Customer Name		Temwell's Part No.	K2WB-2370M-100M
Approval No. /dated		Temwell's print Name.	K2WB 2370M
Work Instruction No.	201310083C	Date	Nov.08.2013



(3) Electric Charasteric	
Item	Specify
Center Freq.(Fo ) +/- 0.5 %	2370 MHz
Insertion Loss	Typ. 3.0 dB
-3 dB Bandwidth	Typ. 100 MHz
Sensitivity (Attenuation )	Fo - 400 MHz Typ. 35 dBc
	Fo + 400 MHz Typ. 23 dBc
	Fo - ( )MHz Typ. dBc
	Fo +( )MHz Typ. dBc
Return Loss	Min. 12 dB
Ripple	< 1 dB
Impedance	In / Out : 50 Ω
(4) Torque for Tuning Screw	> 60gf cm
(5) Temperature Condition:	
Operating Temperature	0 ~ +60
Storage Temperature	-20 ~ +70
(6) Input Power	> 0.5Watt

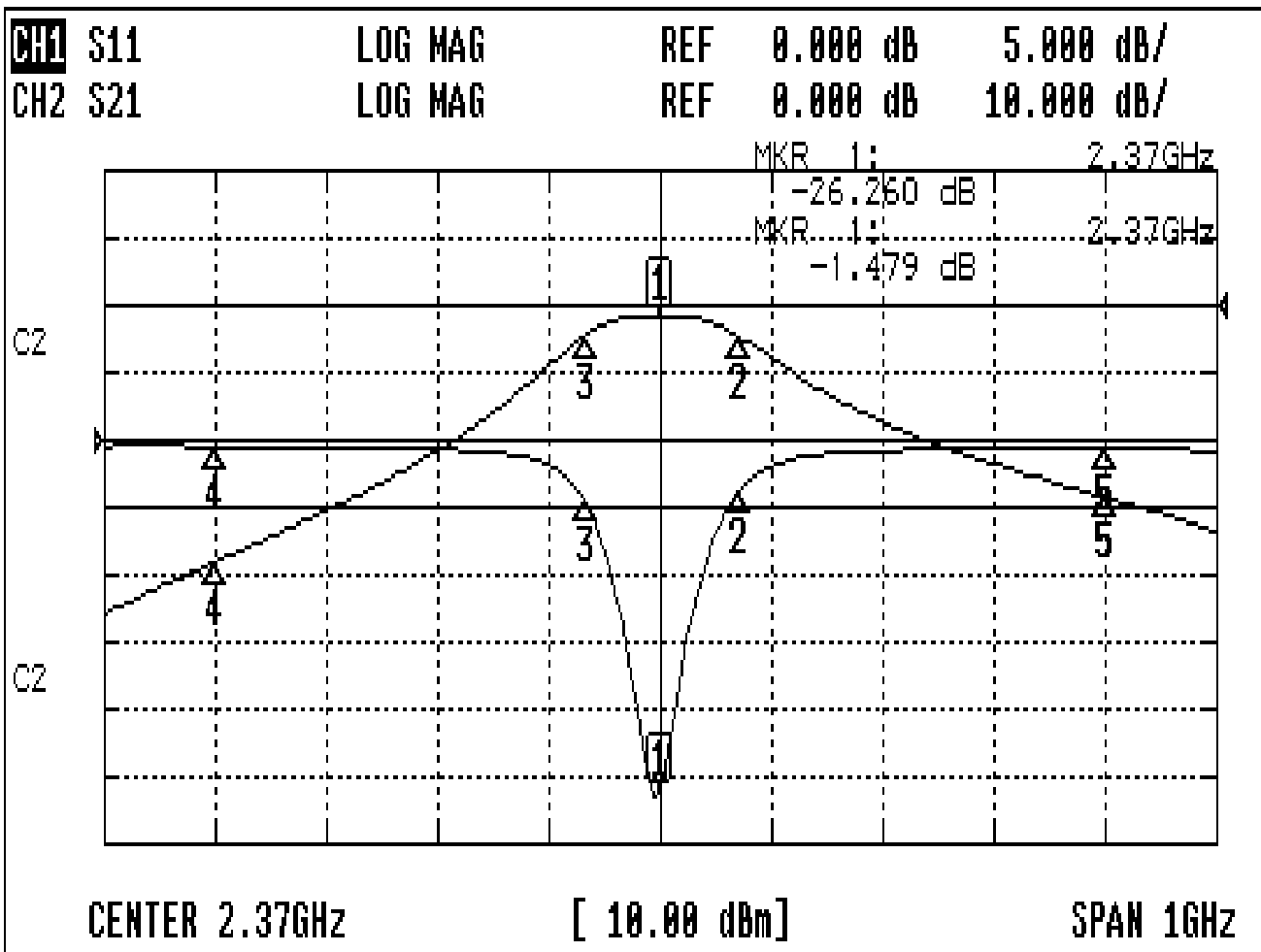
(7) Measuring Circuit: Easy to match Impedance 50Ω by parallel with about (---)/(---)



Approval	Supervisor	Designer	Aperture size
C.Y.Chang	C.K.Chang	M.Y.Kang	5W2S(3.8*3.5)(3.55) 5HW046LB3.2 (J1)
TEMWELL CORPORATION			

# Performance-K2WB-2370M-100M

## 201310083C



### CH1 MARKER LIST

1:	2.370	000GHz	-26.260	dB
2:	2.440	000GHz	-3.950	dB
3:	2.302	500GHz	-4.584	dB
4:	1.970	000GHz	-0.475	dB
5:	2.770	000GHz	-0.714	dB

### CH2 MARKER LIST

1:	2.370	000GHz	-1.479	dB
2:	2.440	000GHz	-4.486	dB
3:	2.302	500GHz	-4.434	dB
4:	1.970	000GHz	-38.114	dB
5:	2.770	000GHz	-28.439	dB