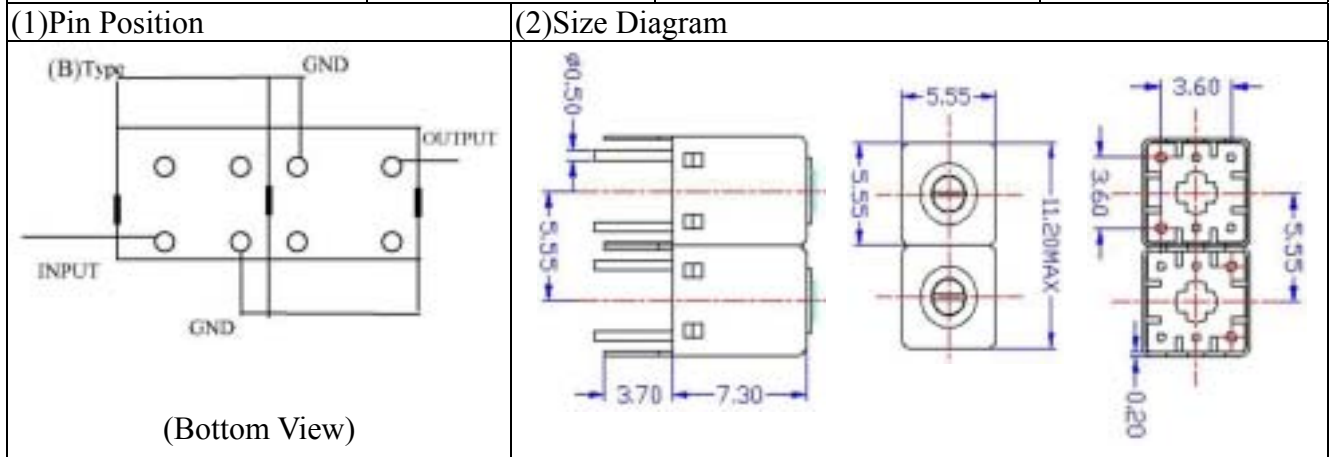
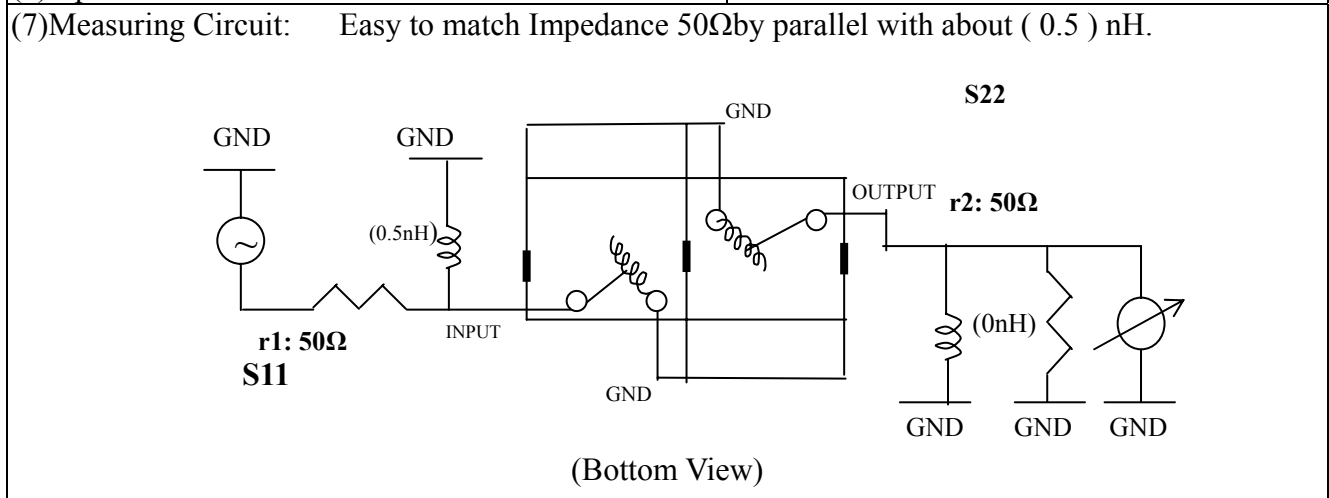


# VHF UHF Helical Filter Specification Sheet

Customer Name		Temwell's Part No.	K2RB-1010M-26M
Approval No. /dated	20402133DC	Customer's Part No.	
Work Instruction No.	20402133DC	Date	Mar.09.2004



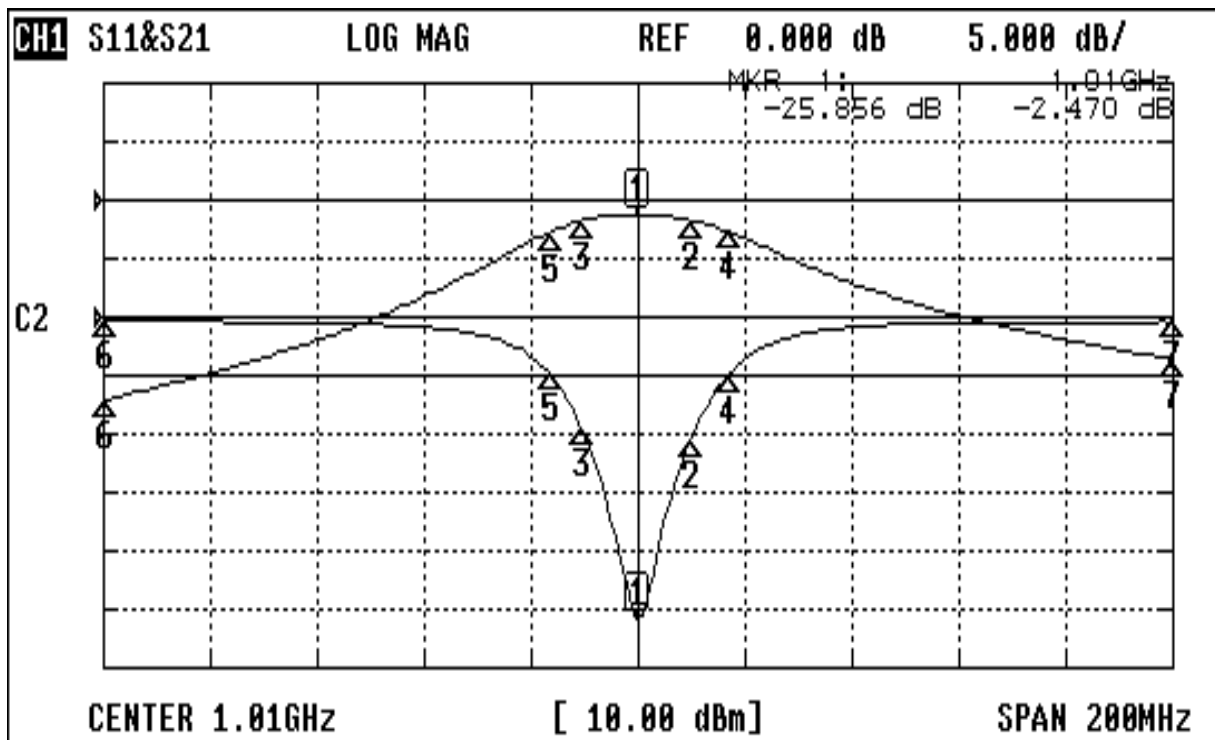
(3) Electric Characteristic		Item	Specify
Center Freq.(Fo) +/- 0.5 %			1010 MHz
Tunable Range: Fo±5MHz Fo±10MHz Fo±15MHz			1010±10 MHz
Insertion Loss		Typ.	3.5 dB
-3 dB Bandwidth		Typ.	26 MHz
Sensitivity (Attenuation)	Fo - 100 MHz	Typ.	25 dB
	Fo + 100 MHz	Typ.	20 dB
	Fo - ( )MHz	Typ.	dB
	Fo +( )MHz	Typ.	dB
Return Loss		Min.	12 dB
Ripple			< 1 dB
Impedance			In / Out : 50 Ω
(4) Torque for Tuning Screw			> 60gf cm
(5) Temperature Condition:			
Operating Temperature			0 ~ +60
Storage Temperature			-20 ~ +70
(6) Input Power			> 1Watt



Approval	Supervisor	Designer	Aperture size
C. Y. CHANG	C.S.Chang	Enlan	5R2(3*3.5)(3.64) 5HW024RB3
TEMWELL CORPORATION			

# Performance-K2RB-1010M-26M

## 20402133DC



### CH1 MARKER LIST

1:	1.010 000GHz	-25.856 dB	-2.470 dB
2:	1.020 000GHz	-10.481 dB	-3.447 dB
3:	999.666MHz	-9.598 dB	-3.495 dB
4:	1.027 000GHz	-4.940 dB	-5.443 dB
5:	993.500MHz	-4.819 dB	-5.490 dB
6:	910.000MHz	-0.315 dB	-34.186 dB
7:	1.110 000GHz	-0.393 dB	-27.155 dB
8:			
9:			
10:			