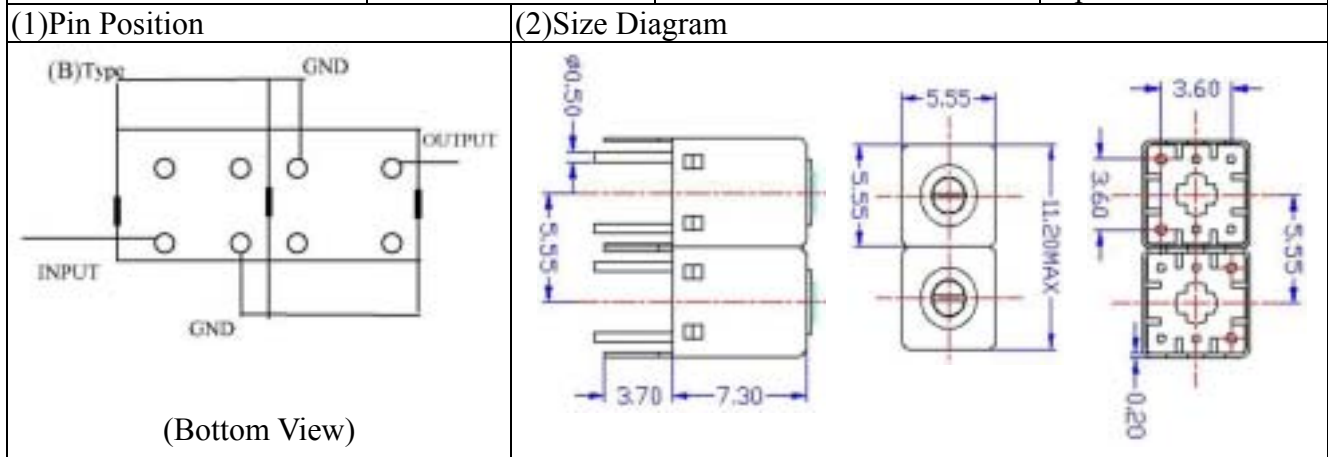
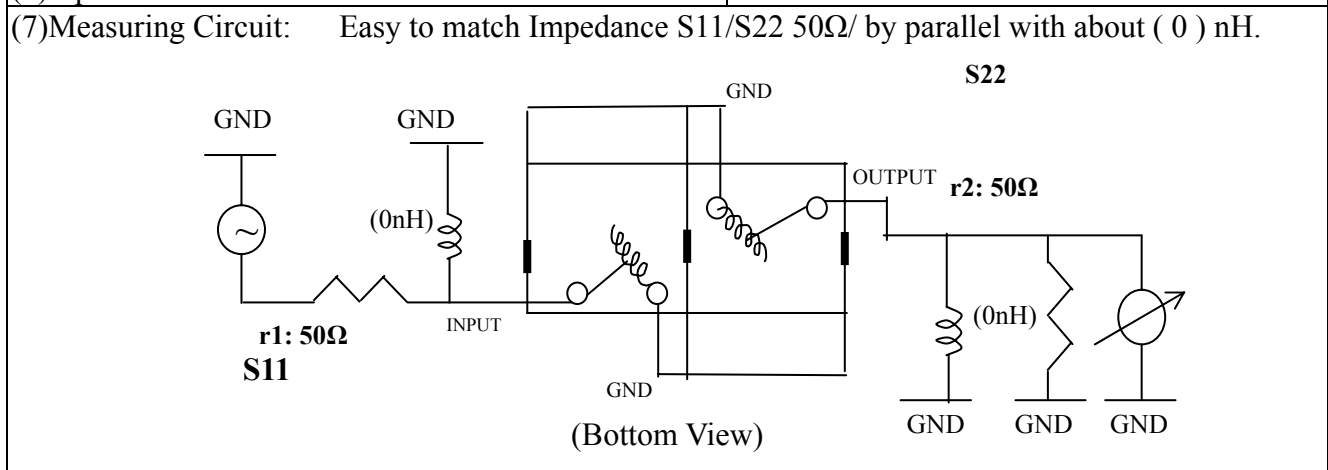


# VHF UHF Helical Filter Specification Sheet

Customer Name		Temwell's Part No.	K2RB-320M-10M
Approval No. /dated	0908113CD	Temwell,s print name.	K2RB 320M
Work Instruction No.	200908113CD	Date	Sep.03.2009



(3)Electric Charasteric	
Item	Specify
Center Freq.(Fo ) +/- 0.5 %	320 MHz
Insertion Loss	Typ. 3.0 dB
-3 dB Bandwidth	Typ. 10 MHz
Sensitivity (Attenuation )	Fo - 50 MHz Typ. 25 dBc
	Fo + 50 MHz Typ. 25 dBc
	Fo - ( )MHz Typ. dBc
	Fo +( )MHz Typ. dBc
Return Loss	Min. 12 dB
Ripple	< 1 dB
Impedance	In / Out : 50 Ω
(4)Torque for Tuning Screw > 60gf cm	
(5)Temperature Condition:	
Operating Temperature	0 ~ +60
Storage Temperature	20 ~ +70
(6)Input Power	> 0.5Watt

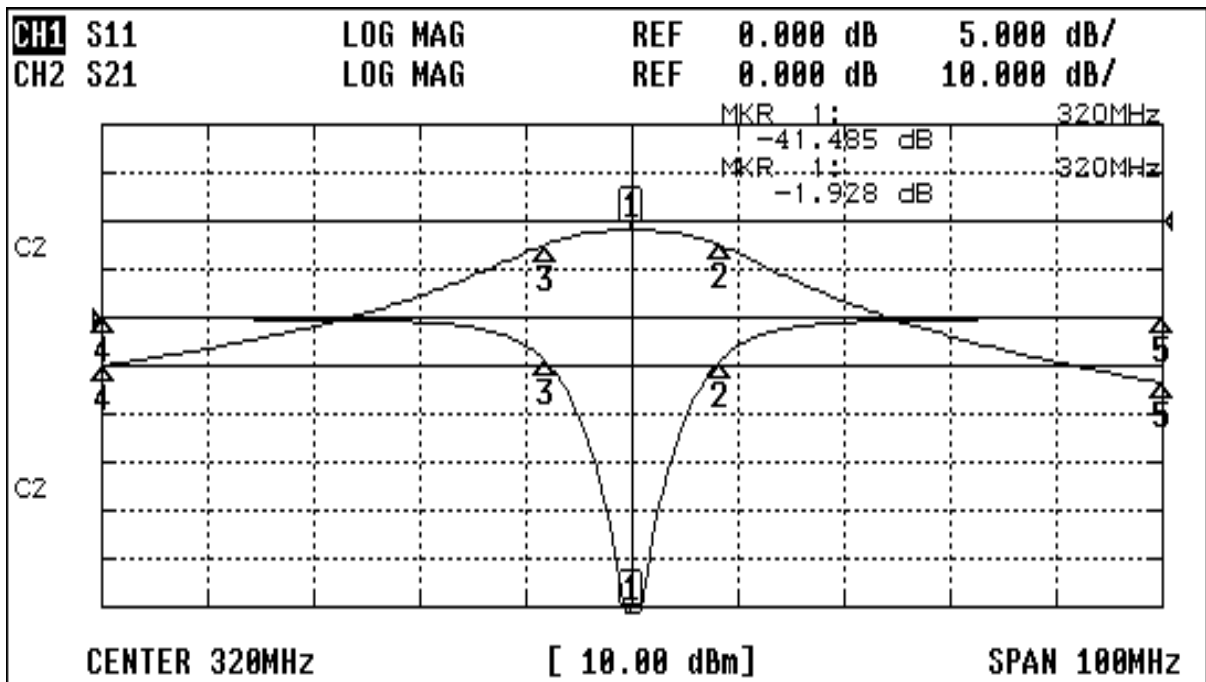


Approval	Supervisor	Designer	Aperture size
C.Y.Chang	C.K.Chang	C.H.Yeh	5R2S(3.8*3.7)(3.69) 5HW020RB3.5

TEMWELL CORPORATION

# Performance-K2RB-320M-10M

## 200908113CD



### CH1 MARKER LIST

1	320.000MHz	-41.485 dB
2	328.250MHz	-4.620 dB
3	311.750MHz	-4.385 dB
4	270.000MHz	-0.094 dB
5	370.000MHz	-0.045 dB

### CH2 MARKER LIST

1	320.000MHz	-1.928 dB
2	328.250MHz	-4.928 dB
3	311.750MHz	-4.969 dB
4	270.000MHz	-30.010 dB
5	370.000MHz	-33.493 dB