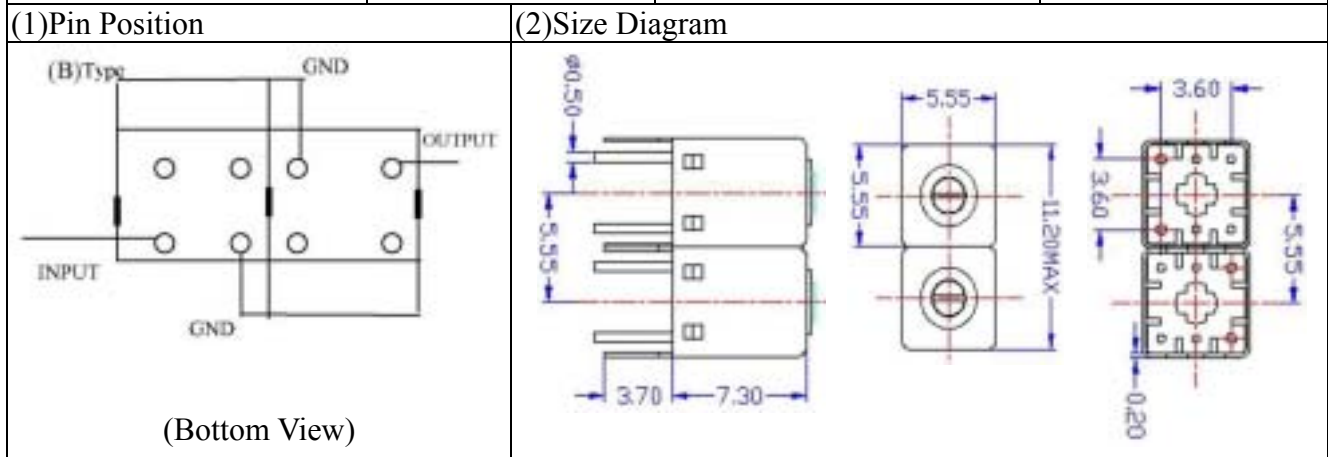
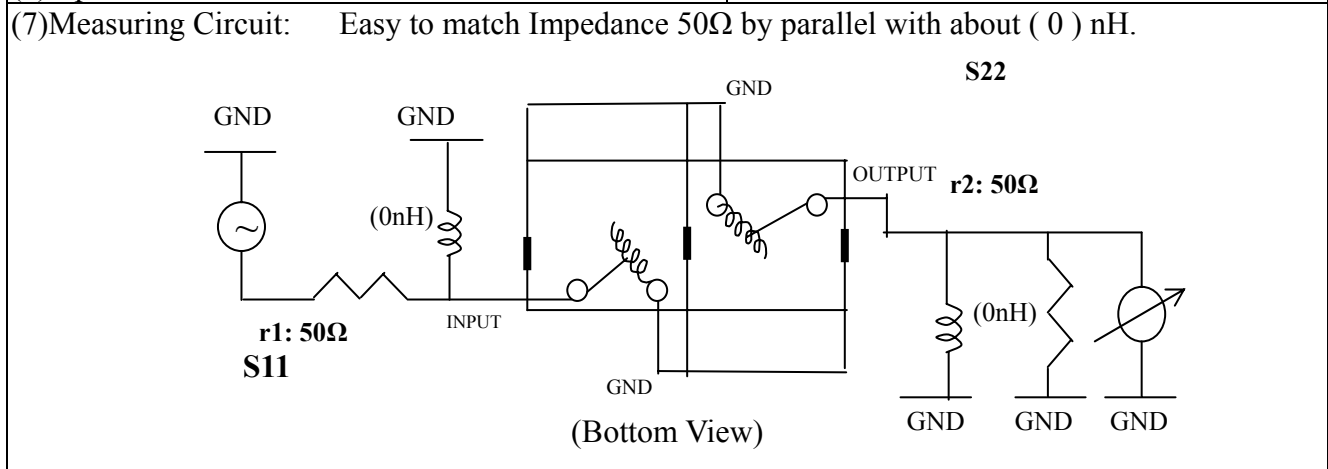


VHF UHF Helical Filter Specification Sheet

Customer Name		Temwell's Part No.	K2RB-365M-10M
Approval No. /dated	200901006CD	Temwell,s print name.	K2RB 365M
Work Instruction No.	200901006CD	Date	Jan.09.2009



(3)Electric Charasteric	
Item	Specify
Center Freq.(Fo) +/- 0.5 %	365 MHz
Tunable Range:	365±4 MHz
Insertion Loss	Typ. 3.5 dB
-3 dB Bandwidth	Typ. 10 MHz
Sensitivity (Attenuation)	Fo - 50 MHz Typ. 25 dB
	Fo + 50 MHz Typ. 25 dB
	Fo - ()MHz Typ. dB
	Fo +()MHz Typ. dB
Return Loss	Min. 12 dB
Ripple	< 1 dB
Impedance	In / Out : 50 Ω
(4)Torque for Tuning Screw	> 60gf cm
(5)Temperature Condition:	
Operating Temperature	0 ~ +60
Storage Temperature	20 ~ +70
(6)Input Power	> 0.5Watt

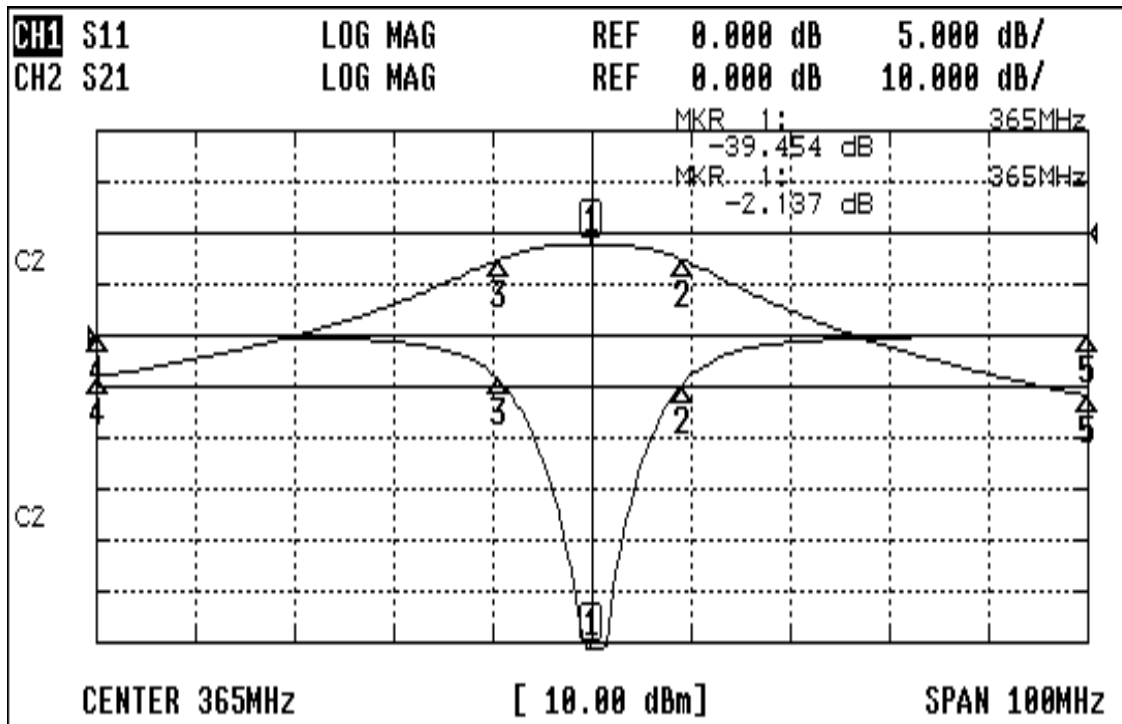


Approval	Supervisor	Designer	Aperture size
C.Y.Chang	C.S.Chang	C.S.Chang	5R2(3.8*3.65)(3.68) 5HW020RB3.5

TEMWELL CORPORATION

Performance- K2RB-365M-10M

200901006CD



CH1 MARKER LIST

1:	365.000MHz	-39.384 dB
2:	374.000MHz	-4.986 dB
3:	355.666MHz	-4.359 dB
4:	315.000MHz	-0.029 dB
5:	415.000MHz	0.011 dB

CH2 MARKER LIST

1:	365.000MHz	-2.137 dB
2:	374.000MHz	-5.129 dB
3:	355.666MHz	-1.101 dB
4:	315.000MHz	-28.084 dB
5:	415.000MHz	-31.805 dB