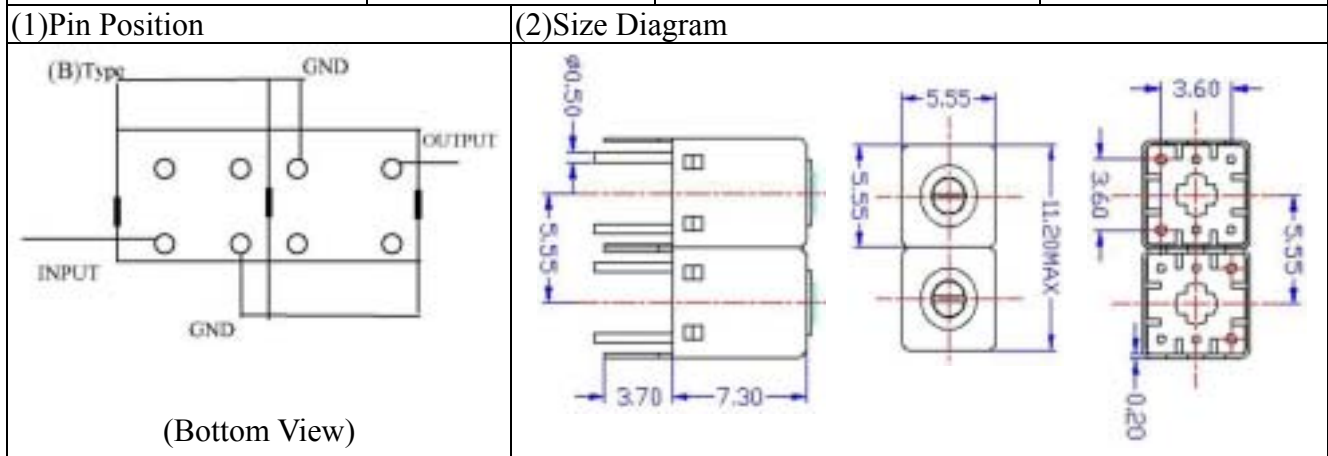


# VHF UHF Helical Filter Specification Sheet

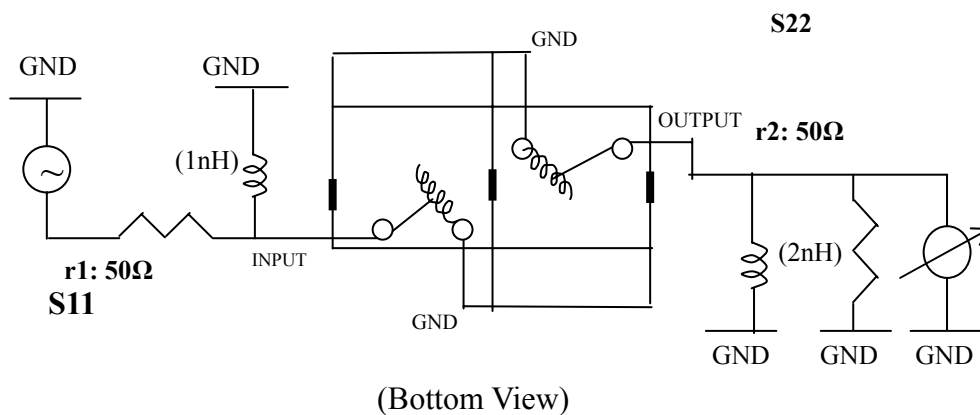
Customer Name		Temwell's Part No.	K2RB-380M-10M
Approval No. /dated	1001081APR	Customer's Part No.	K2RB 380M
Work Instruction No.	201001081BD	Date	Jan.28.2010



### (3)Electric Charasteric

Item	Specify	
Center Freq.(Fo ) +/- 0.5 %	380	MHz
Insertion Loss	Typ. 3.5	dB
-3 dB Bandwidth	Typ. 10	MHz
Sensitivity (Attenuation )	Fo - 50 MHz	Typ. 25 dBc
	Fo + 50 MHz	Typ. 25 dBc
	Fo - ( )MHz	Typ. dBc
	Fo +( )MHz	Typ. dBc
Return Loss	Min. 12	dB
Ripple	< 1	dB
Impedance	In / Out : 50 Ω	
(4)Torque for Tuning Screw	> 60gf cm	
(5)Temperature Condition:		
Operating Temperature	0 ~ +60	
Storage Temperature	20 ~ +70	
(6)Input Power	> 1Watt	

(7)Measuring Circuit: Easy to match Impedance 50Ω by parallel with about (1)nH /(2)nH



Approval	Supervisor	Designer	Aperture size
C.Y.Chang	C.K.Chang	Y.H.Yeh	5R2S(3.8*3.7)(3.79) 5HW024LB3

TEMWELL CORPORATION

TEMWELL

Form10-5R2B Vision D RP(Y.H.Y)

# Performance-K2RB-380M-10M

## 201001081BD

