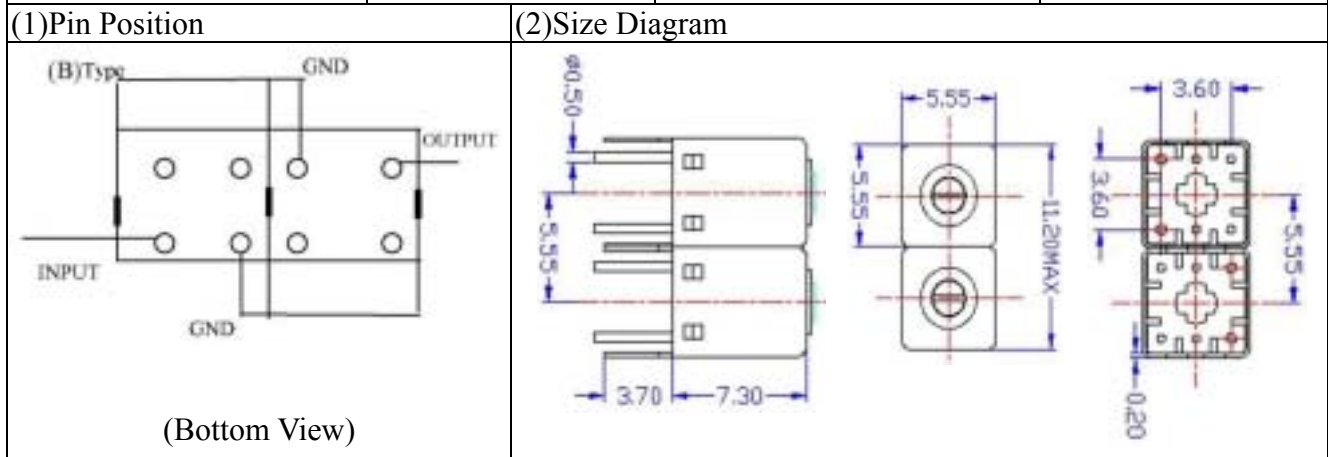


# VHF UHF Helical Filter Specification Sheet

Customer Name		Temwell's Part No.	K2RB-415M-10M
Approval No. /dated	0904112CD	Temwell's Print name	K2RB 415M
Work Instruction No.	200904112CD	Date	Jun.22.2009



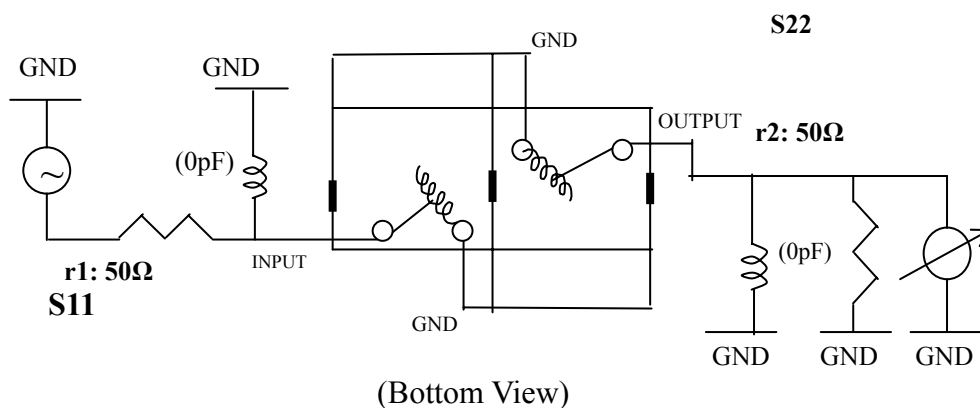
(3)Electric Charasteric	
Item	Specify
Center Freq.(Fo ) +/- 0.5 %	415 MHz
Insertion Loss	Typ. 3.5 dB
-3 dB Bandwidth	Typ. 10 MHz
Sensitivity (Attenuation )	Fo - 50 MHz Typ. 25 dBc
	Fo + 50 MHz Typ. 25 dBc
	Fo - ( )MHz Typ. dBc
	Fo +( )MHz Typ. dBc
Return Loss	Min. 12 dB
Ripple	< 1 dB
Impedance	In / Out : 50 Ω

(4)Torque for Tuning Screw > 60gf cm

(5)Temperature Condition:	
Operating Temperature	0 ~ +60
Storage Temperature	-20 ~ +70

(6)Input Power > 0.5Watt

(7)Measuring Circuit: Easy to match Impedance S11/S22 50Ω/ by parallel with about (0pF)/(0pF).

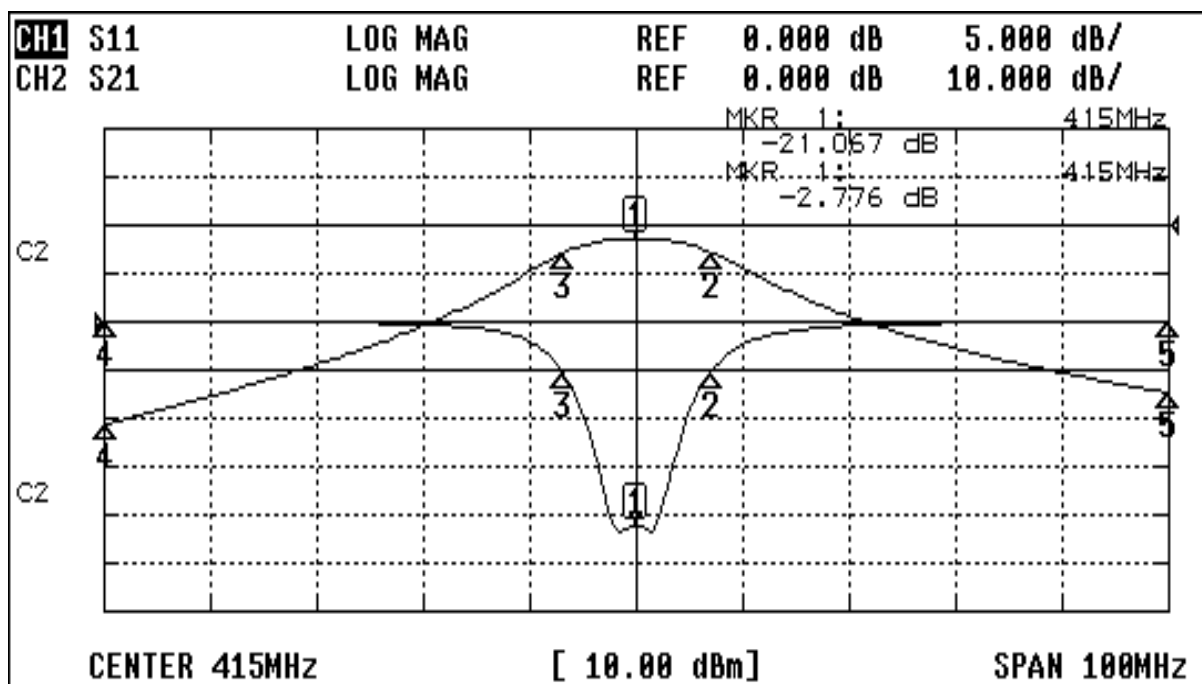


Approval	Supervisor	Designer	Aperture size
C.Y.Chang	C.K.Chang	C.H.Yeh	5R2S(3.8*3.7)(3.75) 5HW024LB3

TEMWELL CORPORATION

# Performance-K2RB-415M-10M

## 200904112CD



### CH1 MARKER LIST

1	415.000MHz	-21.060 dB
2	422.166MHz	-15.030 dB
3	408.166MHz	-15.186 dB
4	365.000MHz	0.005 dB
5	465.000MHz	0.028 dB

### CH2 MARKER LIST

1	415.000MHz	-2.776 dB
2	422.166MHz	-15.766 dB
3	408.166MHz	-15.771 dB
4	365.000MHz	-41.466 dB
5	465.000MHz	-34.678 dB