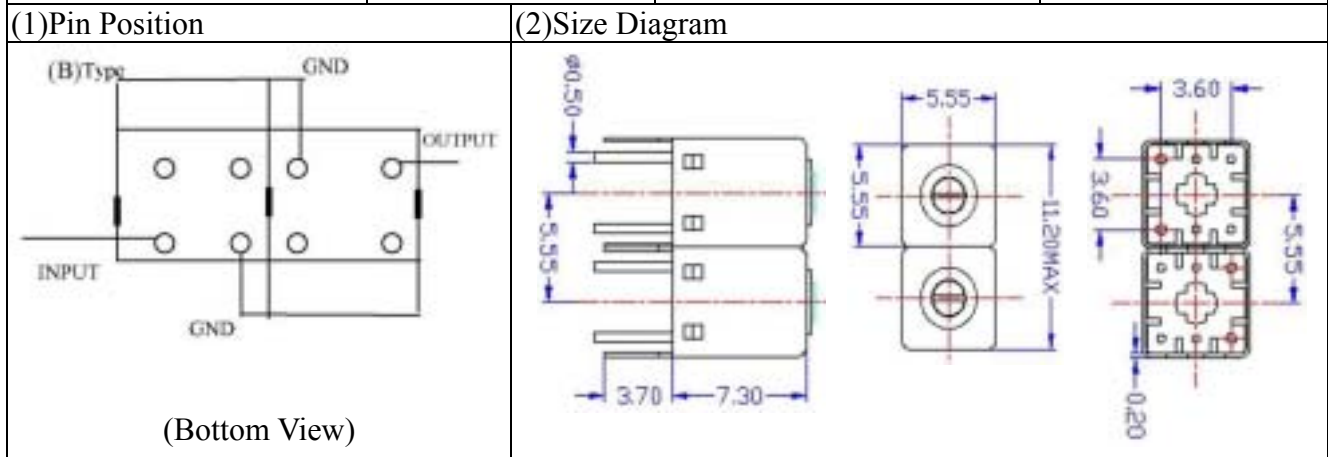


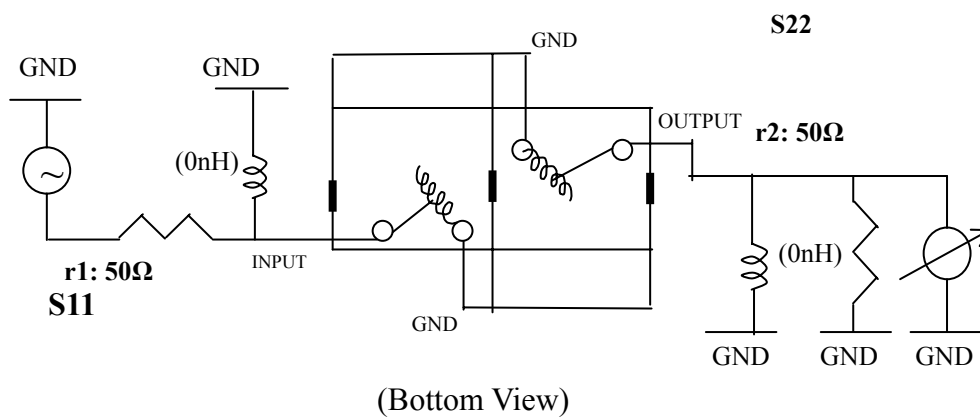
VHF UHF Helical Filter Specification Sheet

Customer Name		Temwell's Part No.	K2RB-430M-10M
Approval No. /dated	0904111CD	Temwell's print name.	K2RB 430M
Work Instruction No.	200904111CD	Date	Jun.03.2009



(3)Electric Charasteric		Item	Specify
		Center Freq.(Fo) +/- 0.5 %	430 MHz
		Insertion Loss	Typ. 3.5 dB
		-3 dB Bandwidth	Typ. 10 MHz
Sensitivity (Attenuation)	Fo - 50 MHz	Typ.	25 dBc
	Fo + 50 MHz	Typ.	25 dBc
	Fo - ()MHz	Typ.	dBc
	Fo +()MHz	Typ.	dBc
		Return Loss	Min. 12 dB
		Ripple	< 1 dB
		Impedance	In / Out : 50 Ω
(4)Torque for Tuning Screw			> 60gf cm
(5)Temperature Condition:			
Operating Temperature			0 ~ +60
Storage Temperature			-20 ~ +70
(6)Input Power			> 0.5Watt

(7)Measuring Circuit: Easy to match Impedance S11/S22 50Ω by parallel with about (0nH)/(0nH).



Approval	Supervisor	Designer	Aperture size
C.Y.Chang	C.K.Chang	J.F.Lin	5R2(3.8*3.7)(3.80) 5HW024LB3

TEMWELL CORPORATION

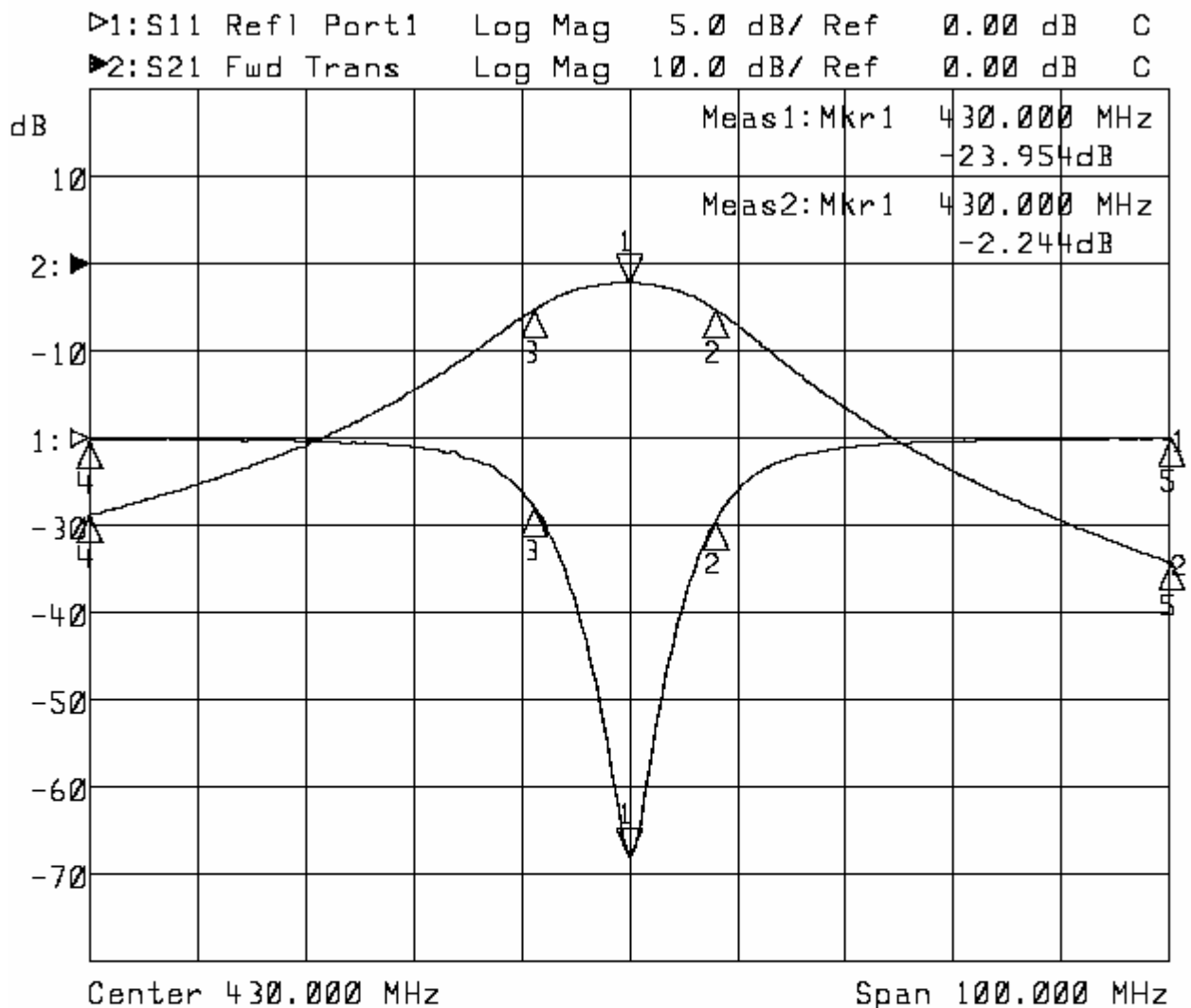
TEMWELL

Form10-5R2B Vision D

RP(J.F.Lin)

Performance-K2RB-430M-10M

200904111CD



1:Mkr (MHz)	dB	2:Mkr (MHz)	dB
1> 430.0000	-23.954	1> 430.0000	-2.244
2: 438.0000	-4.779	2: 438.0000	-5.286
3: 421.2333	-3.967	3: 421.2333	-5.247
4: 380.0000	-0.076	4: 380.0000	-28.810
5: 480.0000	-0.058	5: 480.0000	-34.281