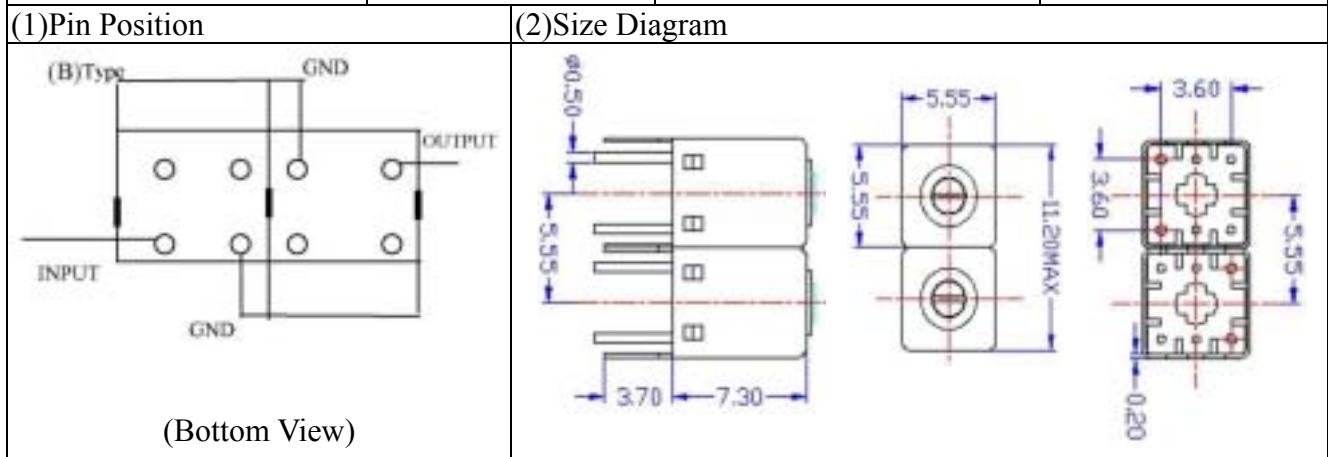


VHF UHF Helical Filter Specification Sheet

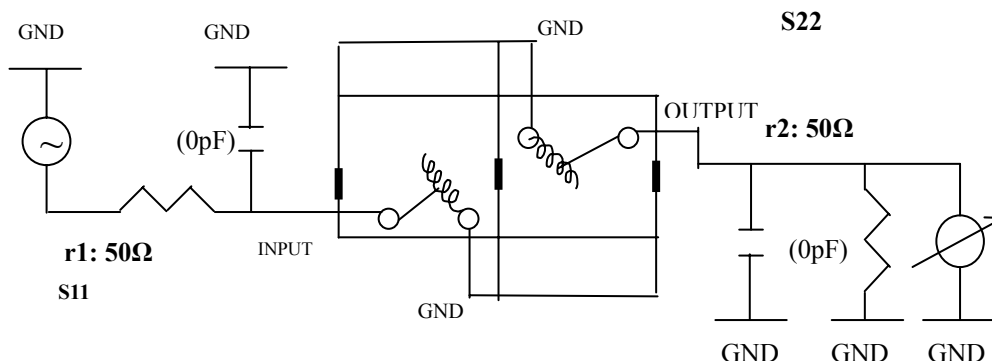
Customer Name		Temwell's Part No.	K2RB-450M-11M
Approval No. /dated	0811066APR	Temwell's print name.	K2RB 450M
Work Instruction No.	200811066BD	Date	Nov.24.2008



(3)Electric Charasteric

Item	Specify
Center Freq.(Fo) +/- 0.5 %	450 MHz
Tunable Range	450±10 MHz
Insertion Loss	Typ. 3.5 dB
-3 dB Bandwidth	Typ. 11 MHz
Sensitivity (Attenuation)	Fo - 50 MHz Typ. 22 dBc
	Fo + 50 MHz Typ. 25 dBc
	Fo - ()MHz Typ. dBc
	Fo +()MHz Typ. dBc
Return Loss	Min. 12 dB
Ripple	< 1 dB
Impedance	In / Out : 50 Ω
(4)Torque for Tuning Screw	> 100gf cm
(5)Temperature Condition:	
Operating Temperature	0 ~ +60
Storage Temperature	-20 ~ +70
(6)Input Power	>0.5Watt

(7)Measuring Circuit: Easy to match Impedance S11/S22 50Ω/ by parallel with about (0) pF.

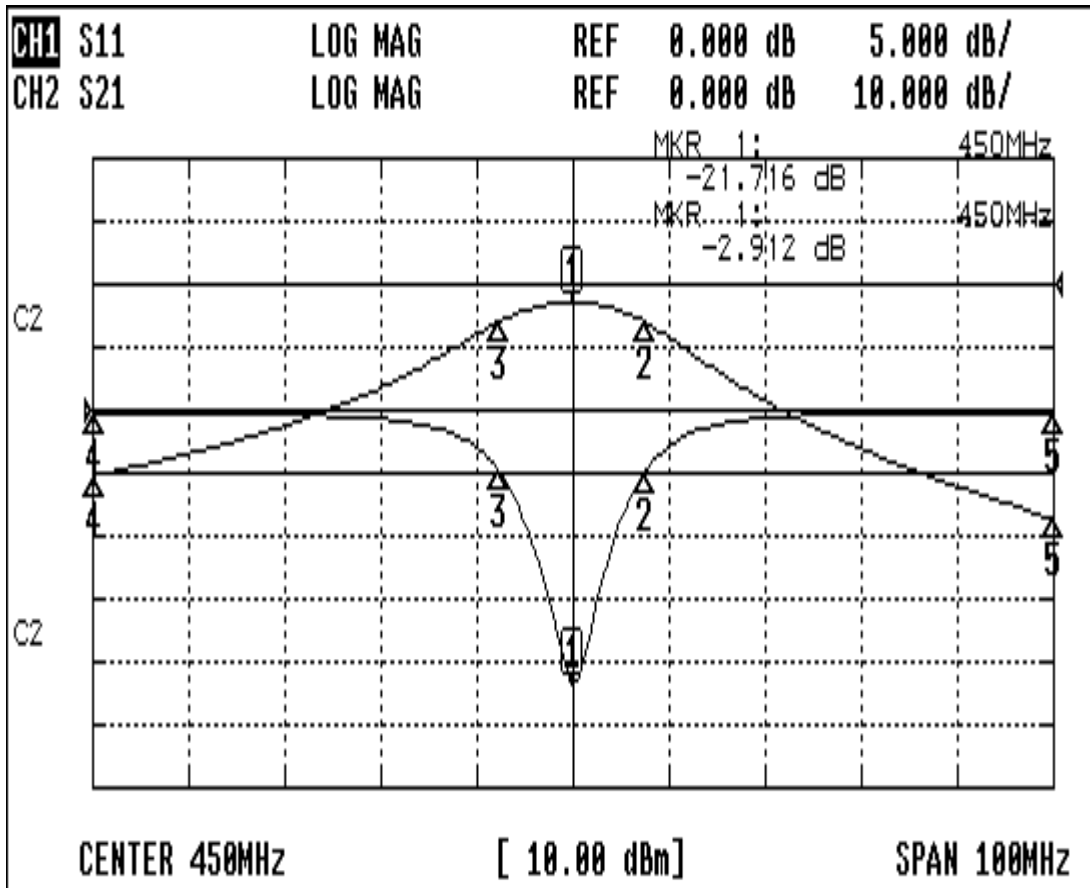


Approval	Supervisor	Designer	Aperture size
C.Y.Chang	C.S.Chang	C.H.Yeh	5R2S(3.8*3.7) (5HW024LB3)

TEMWELL CORPORATION

Performance-K2RB-450M-11M

200811066BD



CH1 MARKER LIST

1:	450.000MHz	-21.716 dB
2:	457.500MHz	-4.901 dB
3:	442.250MHz	-4.729 dB
4:	400.000MHz	-0.192 dB
5:	500.000MHz	-0.169 dB
6:		
7:		
8:		
9:		
10:		

CH2 MARKER LIST

1:	450.000MHz	-2.912 dB
2:	457.500MHz	-5.933 dB
3:	442.250MHz	-5.967 dB
4:	400.000MHz	-30.415 dB
5:	500.000MHz	-37.269 dB
6:		
7:		
8:		
9:		
10:		