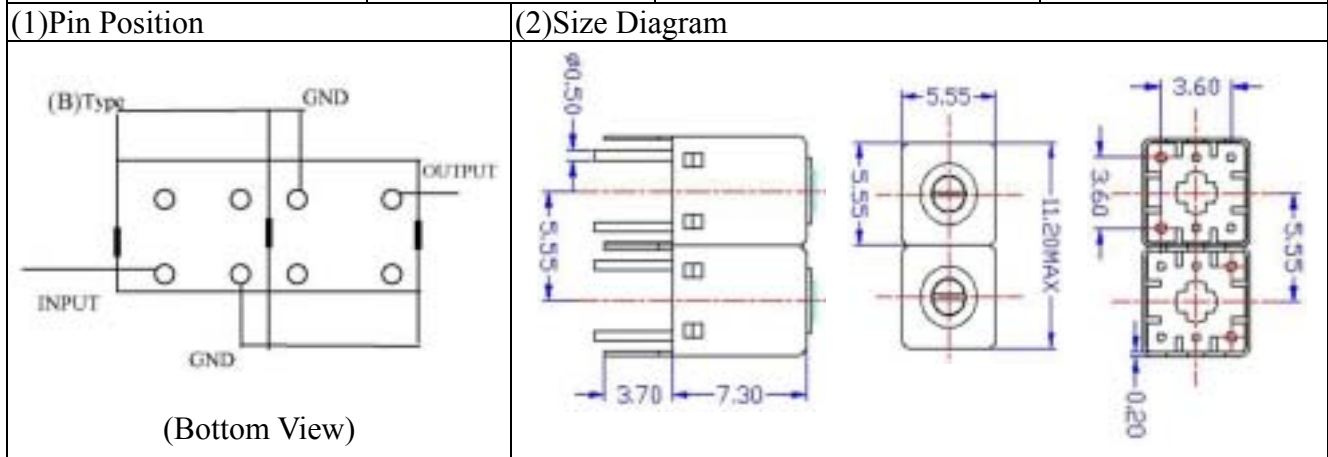
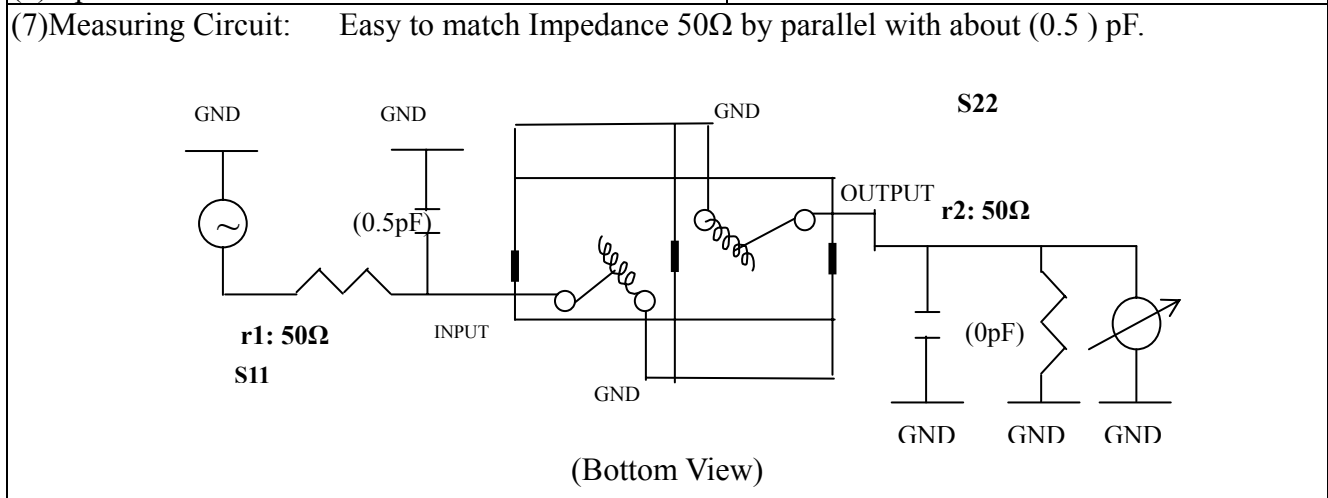


VHF UHF Helical Filter Specification Sheet

Customer Name		Temwell's Part No.	K2RB-475M-11M
Approval No. /dated	20402126DC	Customer's Part No.	
Work Instruction No.	20402126DC	Date	Mar.04.2004



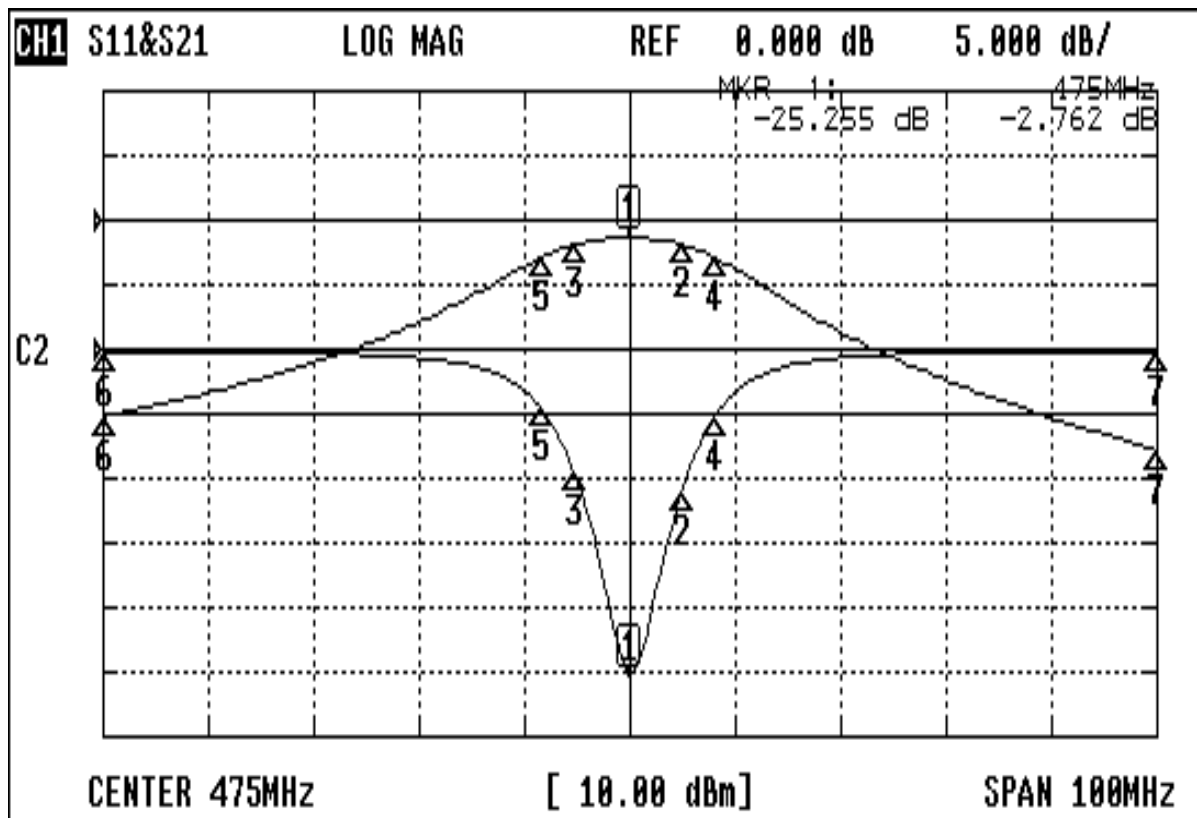
(3) Electric Characteristic		Item	Specify
Center Freq.(Fo) +/- 0.5 %			475 MHz
Tunable Range: <input checked="" type="checkbox"/> Fo±5MHz Fo±10MHz Fo±15MHz			475±5 MHz
Insertion Loss		Typ.	3.5 dB
-3 dB Bandwidth		Typ.	11 MHz
Sensitivity (Attenuation)	Fo - 50 MHz	Typ.	22 dB
	Fo + 50 MHz	Typ.	25 dB
	Fo - ()MHz	Typ.	dB
	Fo +()MHz	Typ.	dB
Return Loss		Min.	12 dB
Ripple			< 1 dB
Impedance			In / Out : 50 Ω
(4) Torque for Tuning Screw			> 60gf cm
(5) Temperature Condition:			
Operating Temperature			0 ~ +60
Storage Temperature			20 ~ +70
(6) Input Power			> 1Watt



Approval C.Y. CHANG	Supervisor C.S.Chang	Designer Enlan	Aperture size 5R2(3*3.5)(3*3.66) 5HW024LB3
TEMWELL CORPORATION			

Performance- K2RB-475M-11M

20402126DC



CH1 MARKER LIST

1:	475.000MHz	-25.255 dB	-2.762 dB
2:	480.000MHz	-10.995 dB	-3.748 dB
3:	469.750MHz	-9.390 dB	-3.776 dB
4:	483.083MHz	-5.242 dB	-5.783 dB
5:	466.666MHz	-4.564 dB	-5.750 dB
6:	425.000MHz	-0.143 dB	-30.363 dB
7:	525.000MHz	-0.133 dB	-35.528 dB
8:			
9:			
10:			