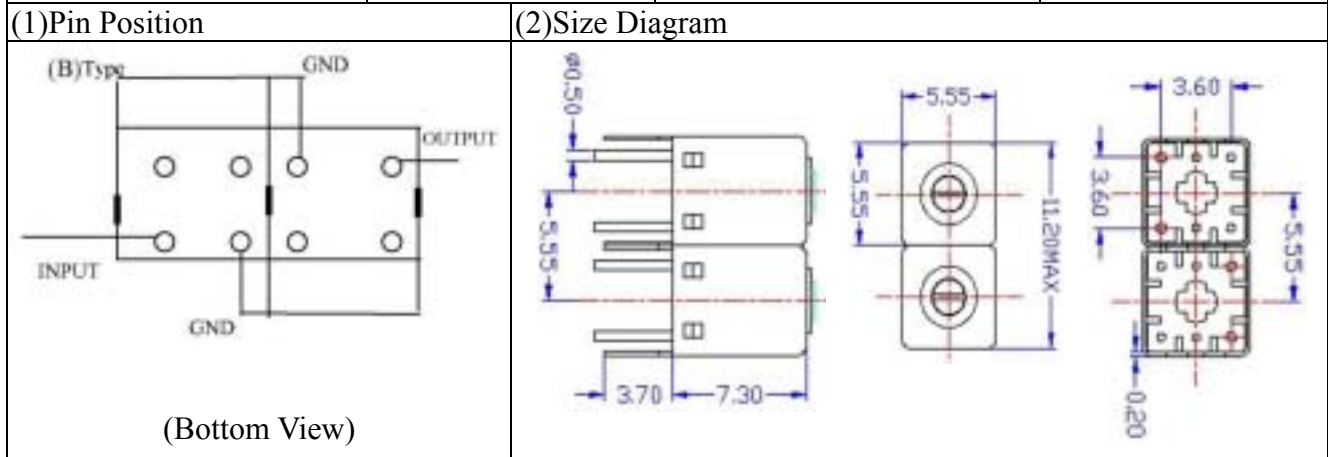
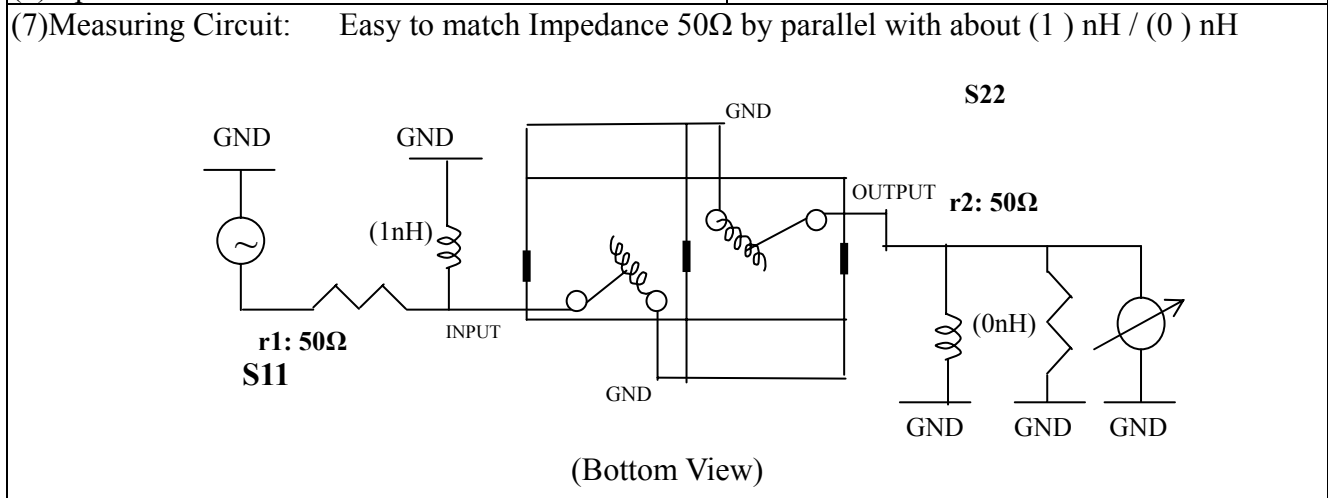


# VHF UHF Helical Filter Specification Sheet

Customer Name		Temwell's Part No.	K2RB-530M-14M
Approval No. /dated	20402128DC	Customer's Part No.	
Work Instruction No.	20402128DC	Date	Mar.04.2004



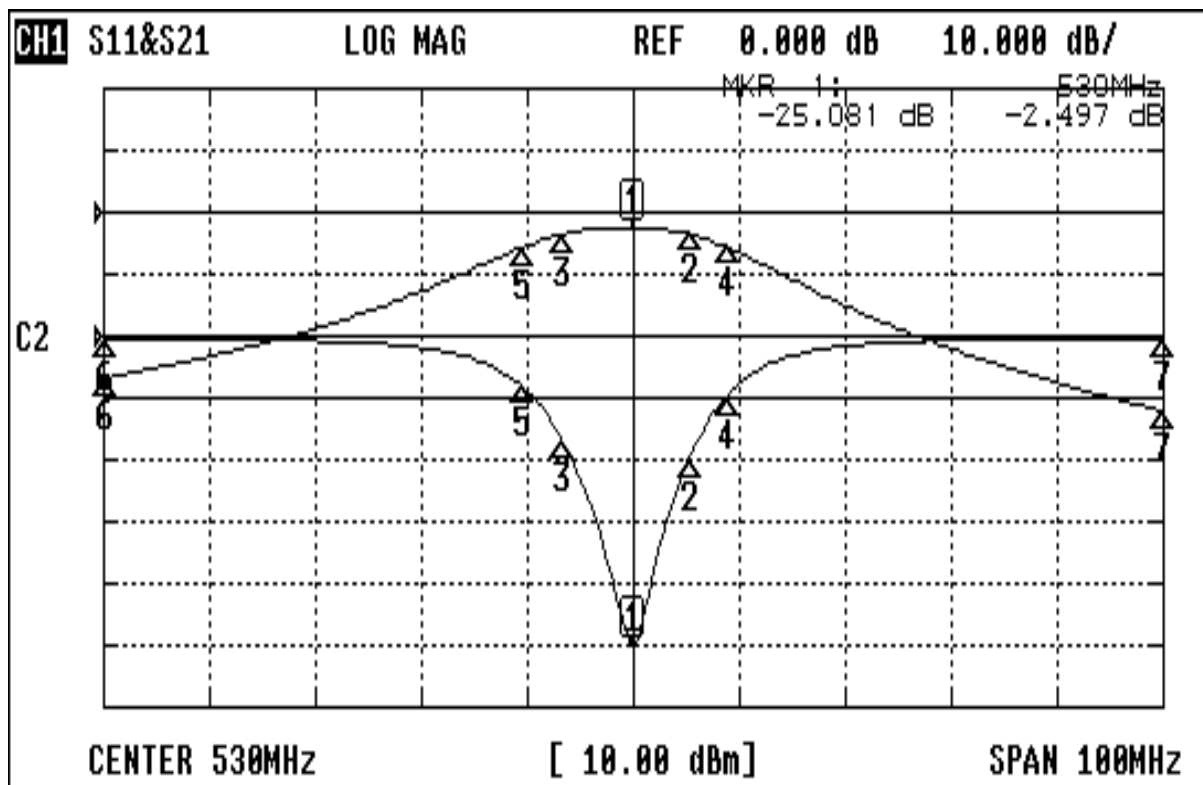
(3) Electric Characteristic		Item	Specify
Center Freq.(Fo) +/- 0.5 %			530 MHz
Tunable Range: <input checked="" type="checkbox"/> Fo±5MHz Fo±10MHz Fo±15MHz			530±5 MHz
Insertion Loss		Typ.	3.5 dB
-3 dB Bandwidth		Typ.	14 MHz
Sensitivity (Attenuation)	Fo - 50 MHz	Typ.	20 dB
	Fo + 50 MHz	Typ.	24 dB
	Fo - ( )MHz	Typ.	dB
	Fo +( )MHz	Typ.	dB
Return Loss		Min.	12 dB
Ripple			< 1 dB
Impedance			In / Out : 50 Ω
(4) Torque for Tuning Screw			> 60gf cm
(5) Temperature Condition:			
Operating Temperature			0 ~ +60
Storage Temperature			20 ~ +70
(6) Input Power			> 1Watt



Approval	Supervisor	Designer	Aperture size
C.Y. CHANG	C.S.Chang	Enlan	5R2(3*3.5)(3.72) 5HW024LB3
TEMWELL CORPORATION			

# Performance- K2RB-530M-14M

## 20402128DC



### CH1 MARKER LIST

1:	530.000MHz	-25.081 dB	-2.497 dB
2:	535.333MHz	-9.864 dB	-3.542 dB
3:	523.333MHz	-8.307 dB	-3.560 dB
4:	538.833MHz	-4.834 dB	-5.590 dB
5:	519.666MHz	-4.128 dB	-5.575 dB
6:	480.000MHz	-0.160 dB	-26.802 dB
7:	580.000MHz	-0.148 dB	-32.161 dB
8:			
9:			
10:			