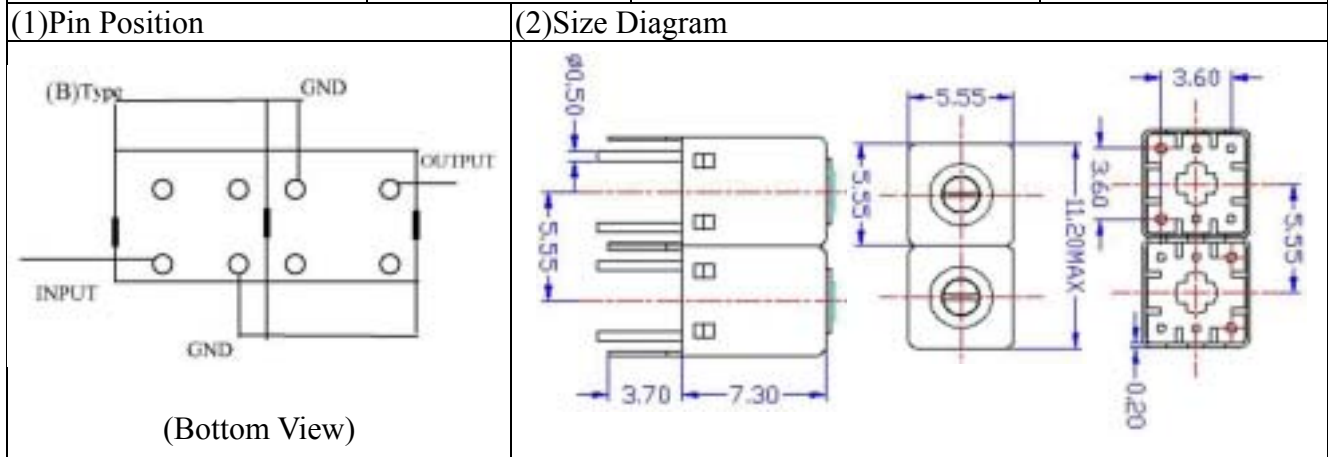


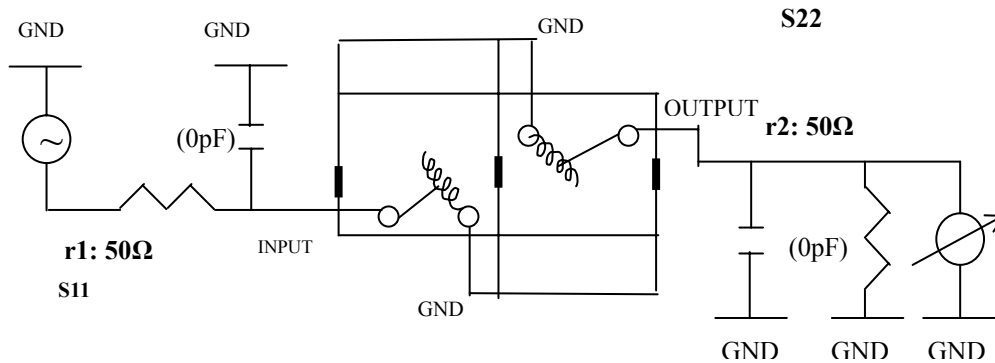
VHF UHF Helical Filter Specification Sheet

Customer Name		Temwell's Part No.	K2RB-862M-21M
Approval No. /dated	20506023DB	Acceptable Specify Fo. Range	
Work Instruction No.	20506023DB	Date	Jun.17.2005



(3) Electric Characteristic		Item	Specify
Center Freq.(Fo) +/- 0.5 %			862 MHz
Tunable Range			862±10 MHz
Insertion Loss		Typ.	3.5 dB
-1 dB Bandwidth		Typ.	16 MHz
-3 dB Bandwidth		Typ.	21 MHz
Sensitivity (Attenuation)	Fo - 100 MHz	Typ.	34 dB
	Fo + 100 MHz	Typ.	26 dB
	Fo - ()MHz	Typ.	dB
	Fo +()MHz	Typ.	dB
Return Loss		Min.	12 dB
Ripple			< 1 dB
Impedance			In / Out : 50 Ω
(4) Torque for Tuning Screw			> 60gf cm
(5) Temperature Condition:			
Operating Temperature			-30 ~ +70
Storage Temperature			-30 ~ +80
(6) Input Power			> 1 Watt

(7) Measuring Circuit: Easy to match Impedance 50Ω/ by parallel with about (0) pF.

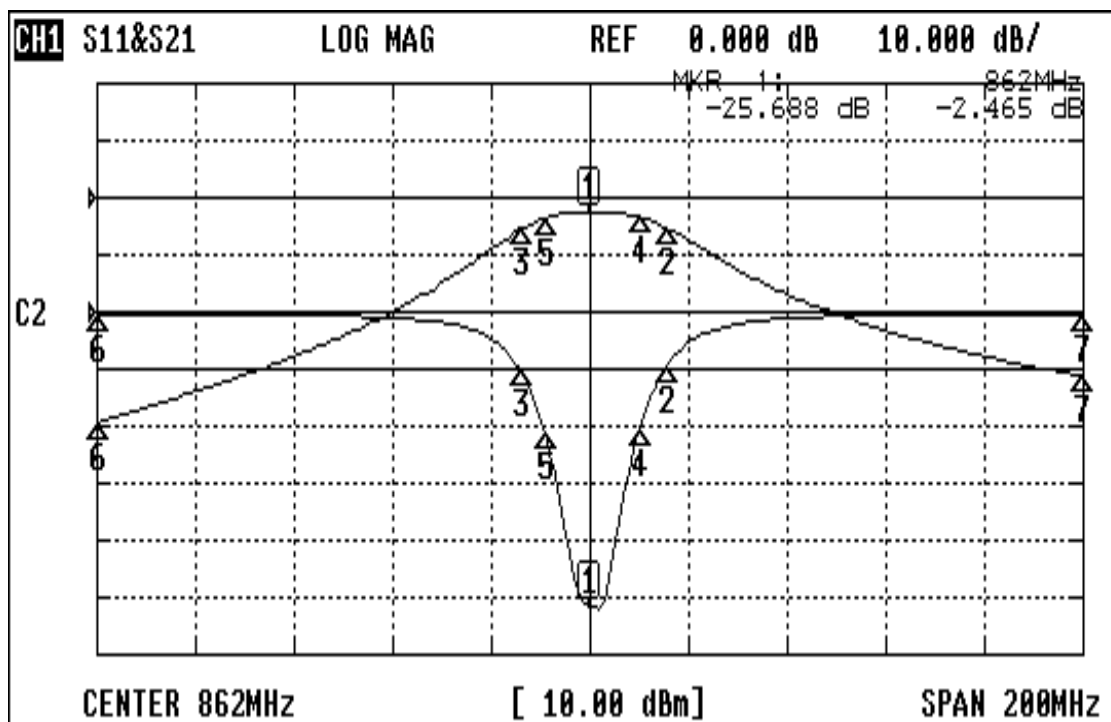


Approval	Supervisor	Designer	Aperture size
C.Y.Chang	C.S.Chang	P.H.Chiang	5r2(3.8*3.7)-(3.8*3.80) 5HW024RB3

TEMWELL CORPORATION

Performance-K2RB-862M-21M

20506023DB



CH1 MARKER LIST

1:	862.000MHz	-25.688 dB	-2.465 dB
2:	877.833MHz	-4.677 dB	-5.453 dB
3:	848.166MHz	-5.229 dB	-5.421 dB
4:	872.333MHz	-10.859 dB	-3.464 dB
5:	853.000MHz	-10.610 dB	-3.473 dB
6:	762.000MHz	-0.160 dB	-39.232 dB
7:	962.000MHz	-0.174 dB	-31.229 dB
8:			
9:			
10:			