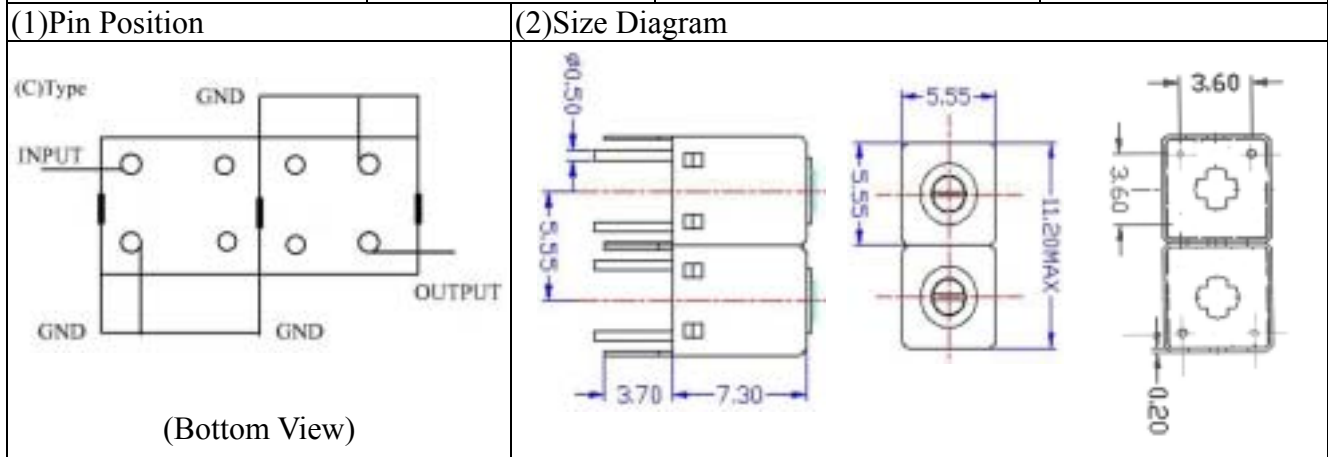
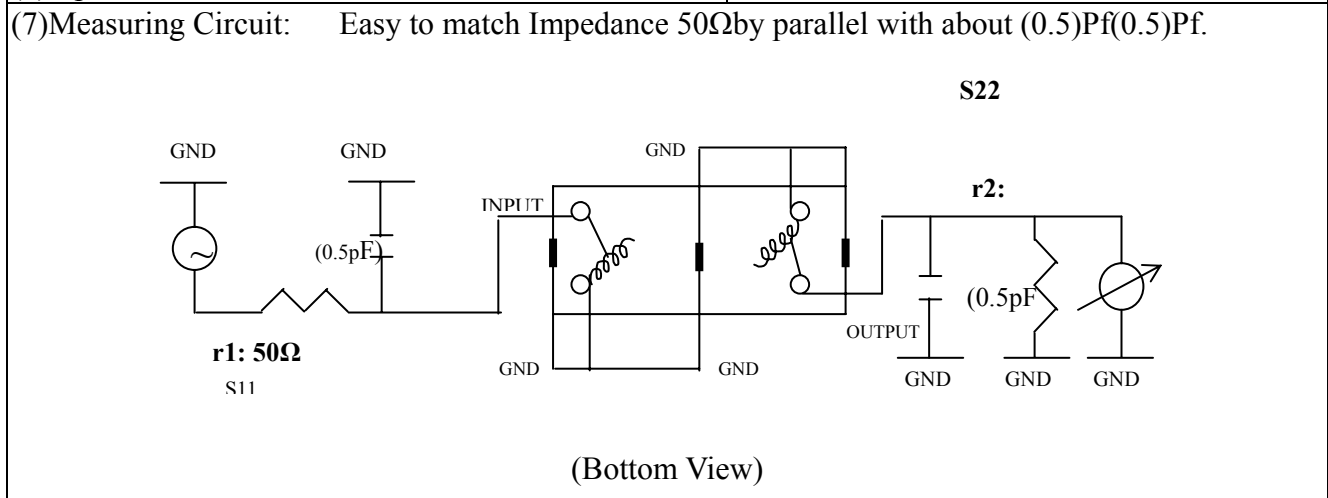


VHF UHF Helical Filter Specification Sheet

Customer Name		Temwell's Part No.	K2RC-1305M-35M
Approval No. /dated	20402137DC	Customer's Part No.	
Work Instruction No.	20402137DC	Date	Mar.17.2004



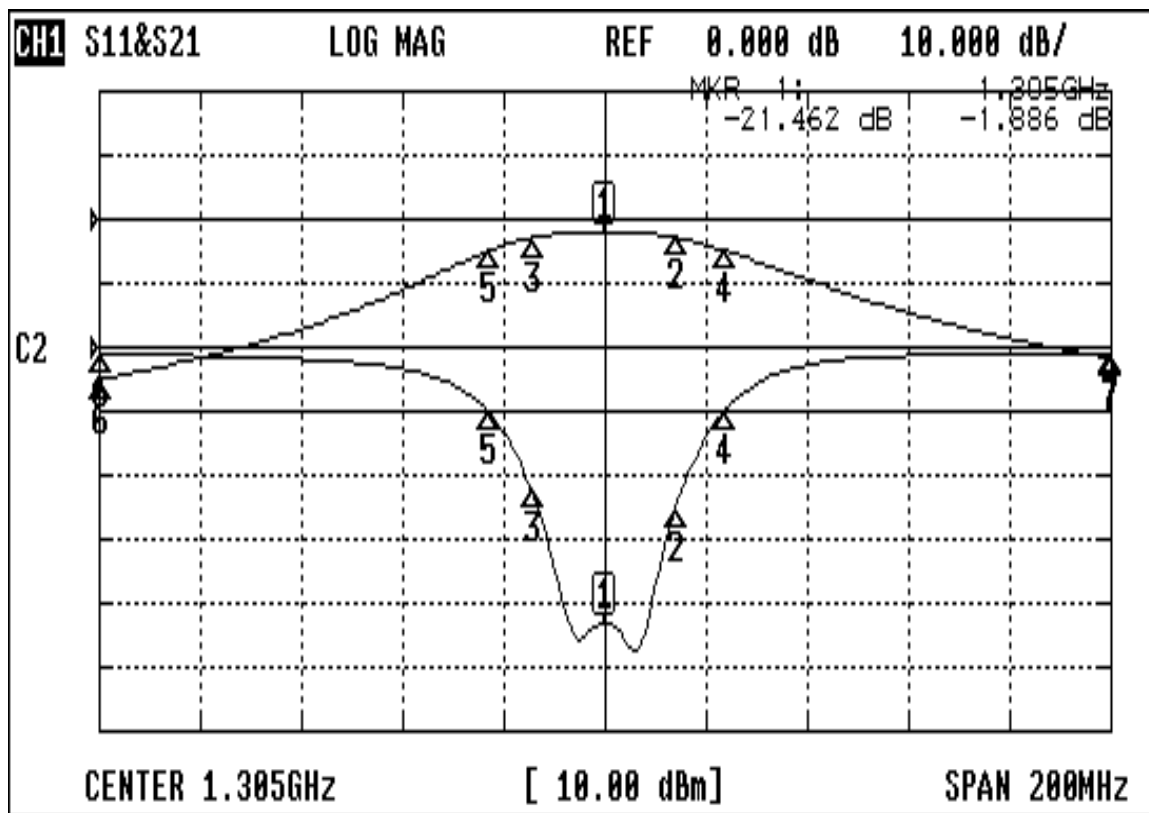
(3)Electric Charasteric		Item	Specify
Center Freq.(Fo) +/- 0.5 %			1305 MHz
Tunable Range:			1305±5 MHz
Insertion Loss		Typ.	3.0 dB
-3 dB Bandwidth		Typ.	35 MHz
Sensitivity (Attenuation)	Fo - 100 MHz	Typ.	20 dBc
	Fo + 100 MHz	Typ.	18 dBc
	Fo - ()MHz	Typ.	dBc
	Fo +()MHz	Typ.	dBc
Return Loss		Min.	12 dB
Ripple			< 1 dB
Impedance			In / Out : 50 Ω
(4)Torque for Tuning Screw			> 60gf cm
(5)Temperature Condition:			
Operating Temperature			0 ~ +60
Storage Temperature			-20 ~ +70
(6)Input Power			> 0.5Watt



Approval	Supervisor	Designer	Aperture size
C.Y.Chang	C.S.Chang	Enlan	5R2(3.8*4.0)(4.19) 5HW024RB3
TEMWELL CORPORATION			

Performance-K2RC-1305M-35M

20402137DC



CH1 MARKER LIST

1:	1.305 000GHz	-21.462 dB	-1.884 dB
2:	1.319 166GHz	-12.508 dB	-2.855 dB
3:	1.290 666GHz	-11.160 dB	-2.845 dB
4:	1.328 500GHz	-5.891 dB	-4.862 dB
5:	1.282 166GHz	-5.855 dB	-4.868 dB
6:	1.205 000GHz	-8.547 dB	-25.145 dB
7:	1.405 000GHz	-8.587 dB	-21.662 dB
8:			
9:			
10:			