



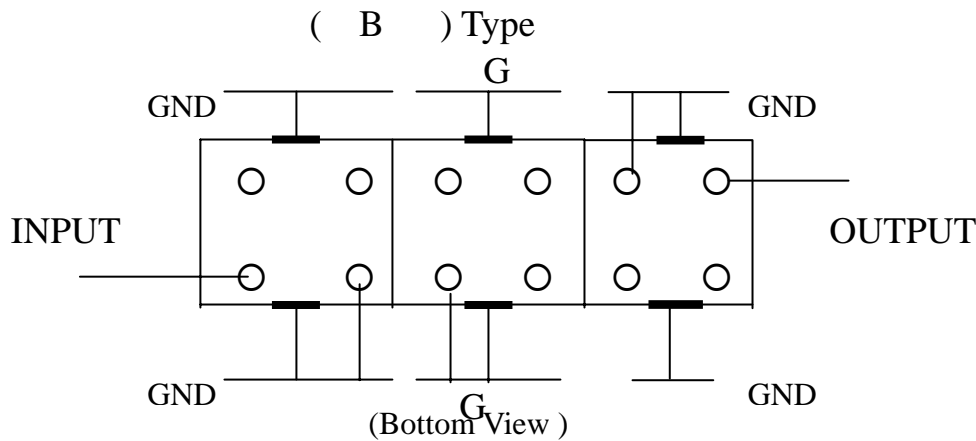
Customized UHF SHF Filter & Miniature Duplexer

# VHF UHF Helical Filter Specification Sheet

Issued Dated :

Customer Name		Temwell's Part No.	K3B-420M-10M
Approval No. /dated	20402005DC	Customer's Part No.	
Work Instruction No.	20402005DC	Date	Feb.09.2004
<input type="checkbox"/> Buyer Print name		<input type="checkbox"/> Temwell,s print name	
Case Name	7H3	Case size : ( mm)	
Terminator Type	B		

\* Pin Position (Pin Connection) diagram as following



### (3) Electric Character

Item	Specify		
Center Freq.(Fo ) +/- 0.5 %	420		MHz
Insertion Loss	Typ.	3.0	dB
-3 dB Bandwidth	Typ.	10	MHz
Sensitivity (Attenuation )	Fo - 50 MHz	Typ.	46 dBc
	Fo + 50 MHz	Typ.	37 dBc
	Fo - ( )MHz	Typ.	dBc
	Fo +( )MHz	Typ.	dBc
Return Loss		Min. 12	dB
Ripple		< 1	dB
Impedance		In / Out :	50 Ω
Torque for Tuning Screw		> 60gf	cm

### 4. Temperature Condition:

Operating Temperature	0 ~ +60
Storage Temperature	-20 ~ +70

Approval	Supervisor	Designer	Aperture size
C.Y.Chang	C.S.Chang	C.S.Chang	7H3,4*6.5(4*6.54) 7H046LB4 聚 3

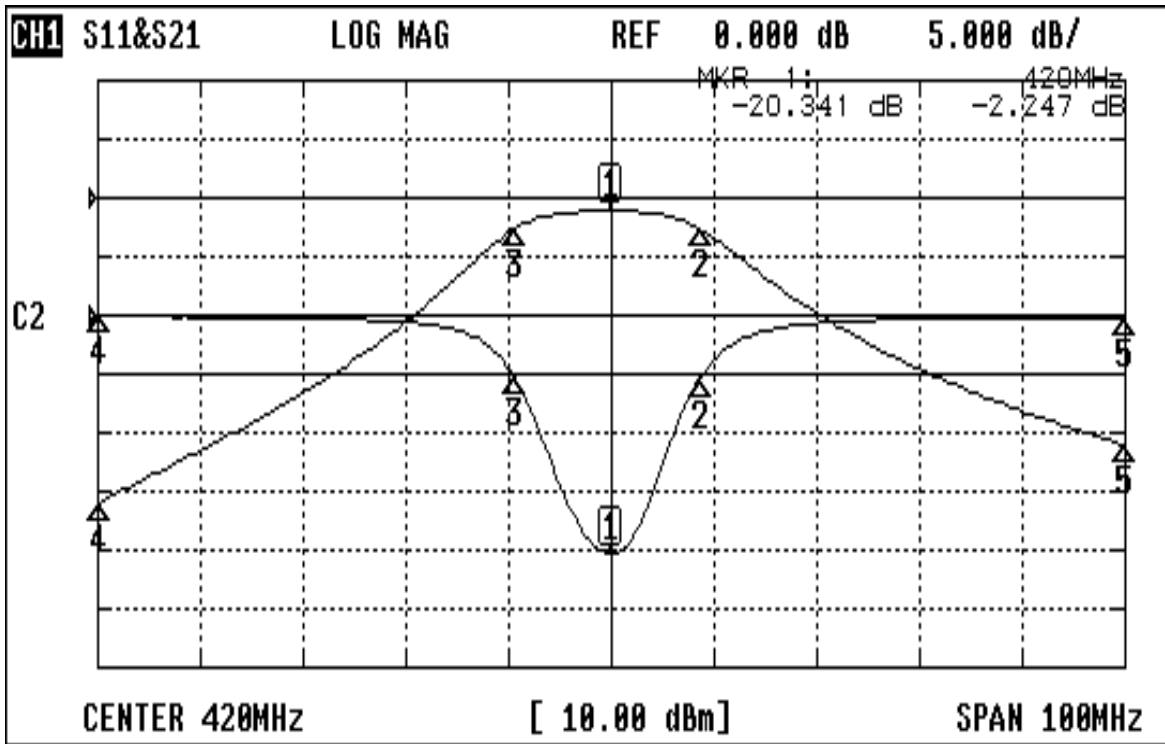
TEMWELL CORPORATION

TEMWELL

Form11-7H3B Vession C

# Performance-K3B-420M-10M

20402005DC



## CH1 MARKER LIST

1:	420.000MHz	-20.341 dB	-2.247 dB
2:	428.666MHz	-5.416 dB	-5.211 dB
3:	410.666MHz	-5.266 dB	-5.264 dB
4:	370.000MHz	-0.104 dB	-51.993 dB
5:	470.000MHz	-0.154 dB	-42.137 dB
6:			
7:			
8:			
9:			
10:			