

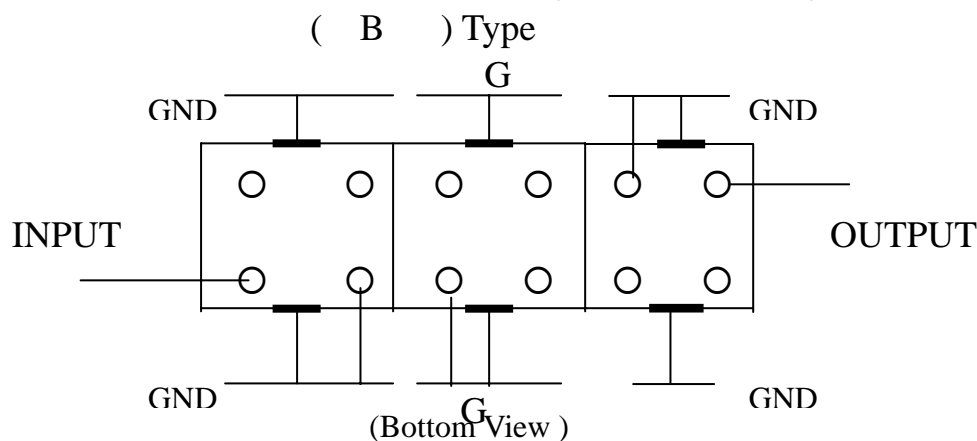


Customized UHF SHF Filter & Miniature Duplexer

VHF UHF Helical Filter Specification Sheet

| | | | |
|---|------------|---|--------------|
| Customer Name | | Temwell's Part No. | K3B-440M-10M |
| Approval No. /dated | 20402006DC | Customer's Part No. | |
| Work Instruction No. | 20402006DC | Date | Feb.09.2004 |
| <input type="checkbox"/> Buyer Print name | | <input type="checkbox"/> Temwell,s print name | |
| Case Name | 7H3 | Case size : (mm) | |
| Terminator Type | B | | |

* Pin Position (Pin Connection) diagram as following



(3) Electric Character

| Item | Specify | |
|------------------------------|-----------------|------------|
| Center Freq.(Fo) +/- 0.5 % | 440 | MHz |
| Tunable Range: | 440±10 | MHz |
| Insertion Loss | Typ. 3.0 | dB |
| -3 dB Bandwidth | Typ. 10 | MHz |
| Sensitivity (Attenuation) | Fo -(50) MHz | Typ. 46 dB |
| | Fo +(50) MHz | Typ. 35 dB |
| | Fo -()MHz | Typ. dB |
| | Fo +()MHz | Typ. dB |
| Return Loss | Min. 12 dB | |
| Ripple | < 1 dB | |
| Impedance | In / Out : 50 Ω | |

4. Temperature Condition:

| | |
|-----------------------|-----------|
| Operating Temperature | 0 ~ +60 |
| Storage Temperature | -20 ~ +70 |

| | | | |
|-----------|------------|-----------|-----------------------------------|
| Approval | Supervisor | Designer | Aperture size |
| C.Y.Chang | C.S.Chang | C.S.Chang | 7H3,4*6.5(4*6.59) 7H046LB4 聚 3 |

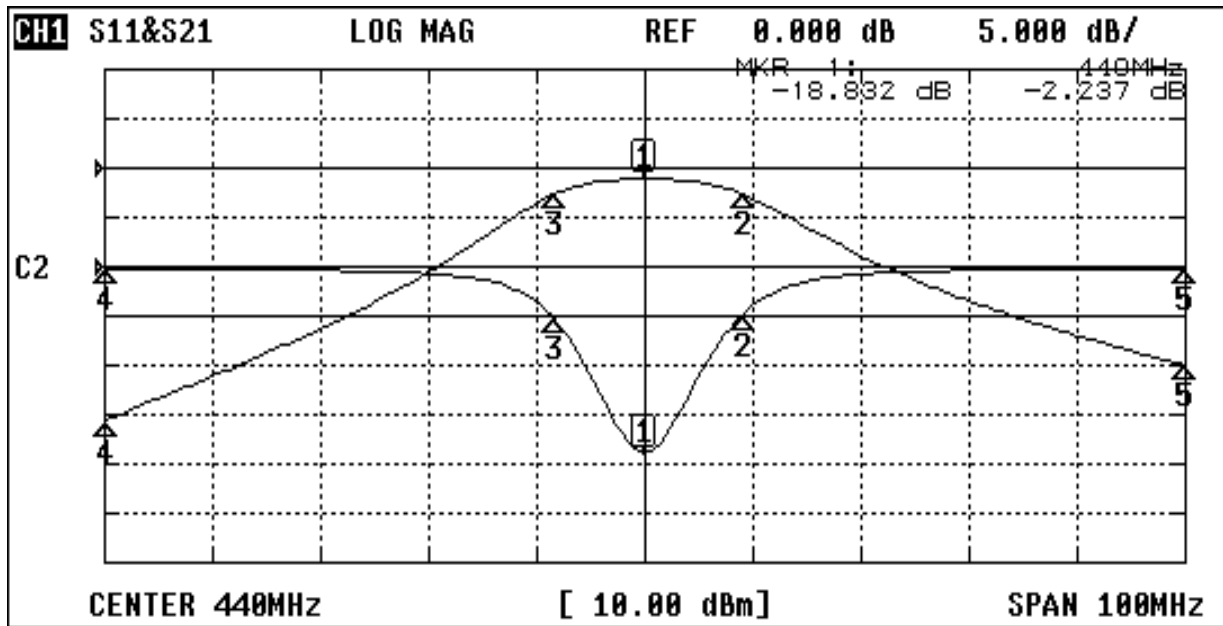
TEMWELL CORPORATION

TEMWELL

Form11-7H3B Vession C

Performance-K3B-440M-10M

20402006DC



CH1 MARKER LIST

| | | | |
|-----|------------|------------|------------|
| 1: | 440.000MHz | -18.832 dB | -2.237 dB |
| 2: | 449.000MHz | -4.952 dB | -5.235 dB |
| 3: | 431.666MHz | -5.243 dB | -5.237 dB |
| 4: | 390.166MHz | -0.193 dB | -51.076 dB |
| 5: | 490.000MHz | -0.197 dB | -39.804 dB |
| 6: | | | |
| 7: | | | |
| 8: | | | |
| 9: | | | |
| 10: | | | |