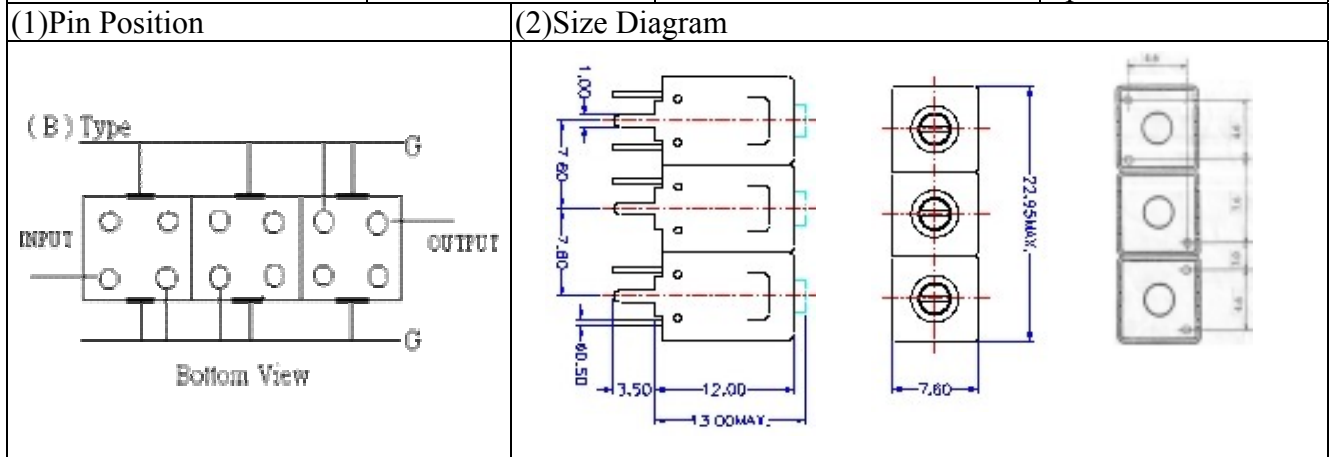
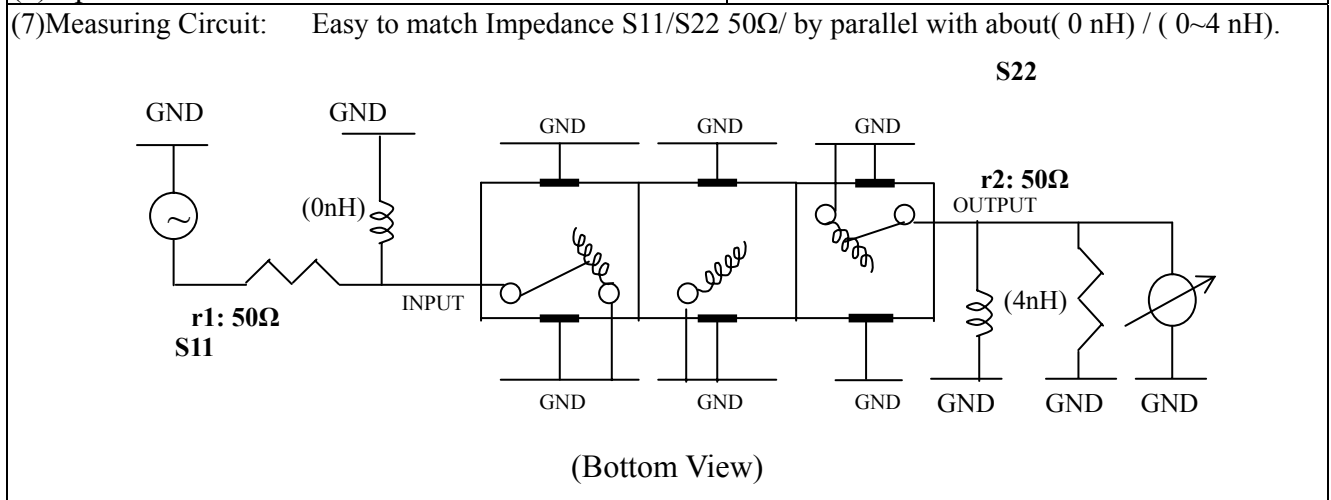


VHF UHF Helical Filter Specification Sheet

Customer Name		Temwell's Part No.	K3B-485M-20M
Approval No. /dated	20404058DC	Customer's Part No.	
Work Instruction No.	20404058DC	Date	Apr.22.2004



(3) Electric Characteristic			
Item		Specify	
Center Freq.(Fo) +/- 0.5 %		485	MHz
Insertion Loss		Typ. 2.5	dB
-3 dB Bandwidth		Typ. 20	MHz
Sensitivity (Attenuation)	Fo - 50 MHz	Typ. 20	dBc
	Fo + 50 MHz	Typ. 18	dBc
	Fo - ()MHz	Typ.	dBc
	Fo +()MHz	Typ.	dBc
Return Loss		Min. 12	dB
Ripple		< 1	dB
Impedance		In / Out : 50 Ω	
(4) Torque for Tuning Screw		> 60gf cm	
(5) Temperature Condition:			
Operating Temperature		0 ~ +60	
Storage Temperature		-20 ~ +70	
(6) Input Power		> 1Watt	

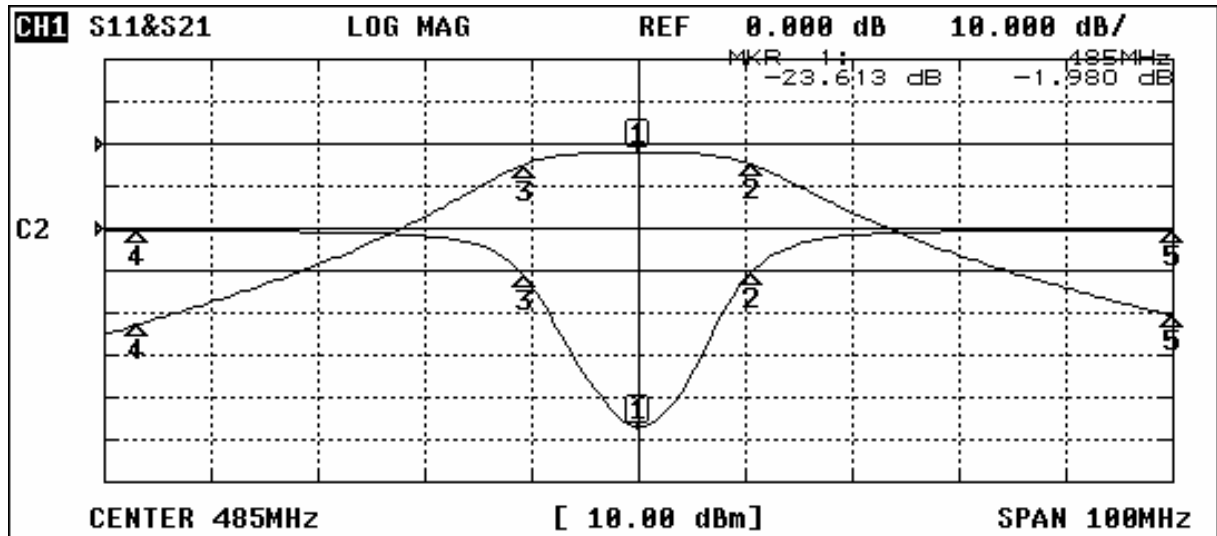


Approval	Supervisor	Designer	Aperture size
	C.S.Chang	P.H.Ching	7H3(4*6.5)(6.60)

TEMWELL CORPORATION

Performance-K3B-485M-20M

20404058DC



CH1 MARKER LIST

1:	485.000MHz	-23.613 dB	-1.980 dB
2:	495.583MHz	-5.241 dB	-4.941 dB
3:	474.250MHz	-5.538 dB	-4.952 dB
4:	438.000MHz	-0.254 dB	-42.864 dB
5:	535.000MHz	-0.225 dB	-40.666 dB
6:			
7:			
8:			
9:			
10:			