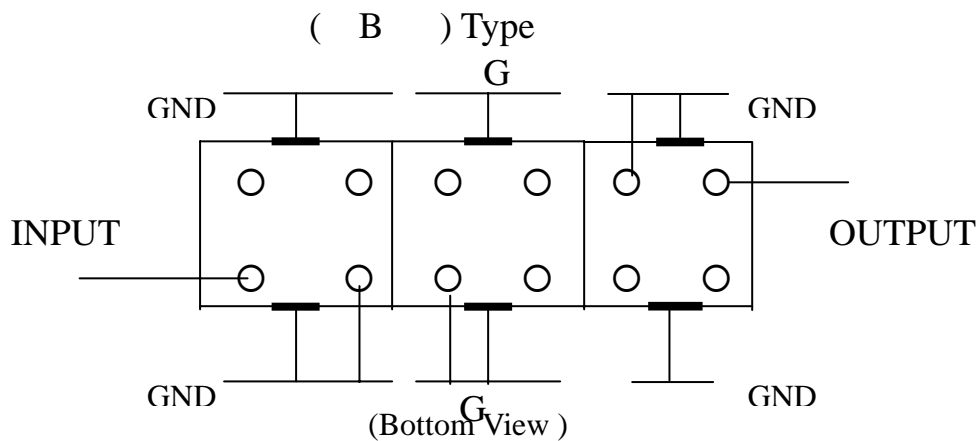


# VHF UHF Helical Filter Specification Sheet

Customer Name		Temwell's Part No.	K3B-500M-10M
Approval No. /dated	20402009DC	Customer's Part No.	
Work Instruction No.	20402009DC	Date	Feb.09.2004
<input type="checkbox"/> Buyer Print name		<input type="checkbox"/> Temwell,s print name	
Case Name	7H3	Case size : ( mm)	
Terminator Type	B		

\* Pin Position (Pin Connection) diagram as following



(3) Electric Character

Item	Specify
Center Freq.(Fo ) +/- 0.5 %	500 MHz
Tunable Range:	500±10 MHz
Insertion Loss	Typ. 3.0 dB
-3 dB Bandwidth	Typ. 10 MHz
Sensitivity (Attenuation)	Fo -(50) MHz Typ. 40 dB
	Fo +(50) MHz Typ. 30 dB
	Fo - ( )MHz Typ. dB
	Fo +( )MHz Typ. dB
Return Loss	Min. 12 dB
Ripple	< 1 dB
Impedance	In / Out : 50 Ω

4. Temperature Condition:

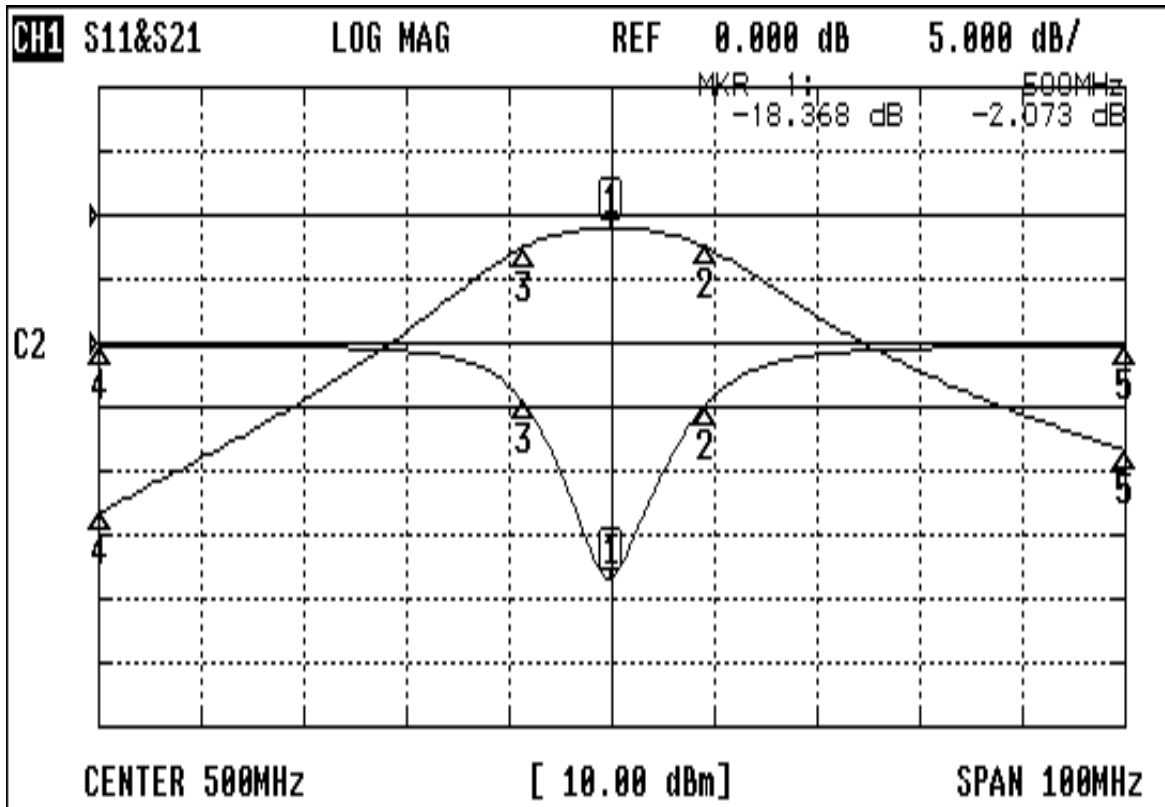
Operating Temperature	0 ~ +60
Storage Temperature	-20 ~ +70

Approval	Supervisor	Designer	Aperture size
C.Y.Chang	C.S.Chang	C.S.Chang	7H3,4*6.5(4*6.52) 7H046LB4 聚 3

**TEMWELL CORPORATION**

# Performance-K3B-500M-10M

20402009DC



## CH1 MARKER LIST

1:	500.000MHz	-18.368 dB	-2.073 dB
2:	509.166MHz	-4.881 dB	-5.038 dB
3:	491.333MHz	-4.545 dB	-5.048 dB
4:	450.000MHz	-0.182 dB	-46.553 dB
5:	550.000MHz	-0.226 dB	-36.654 dB