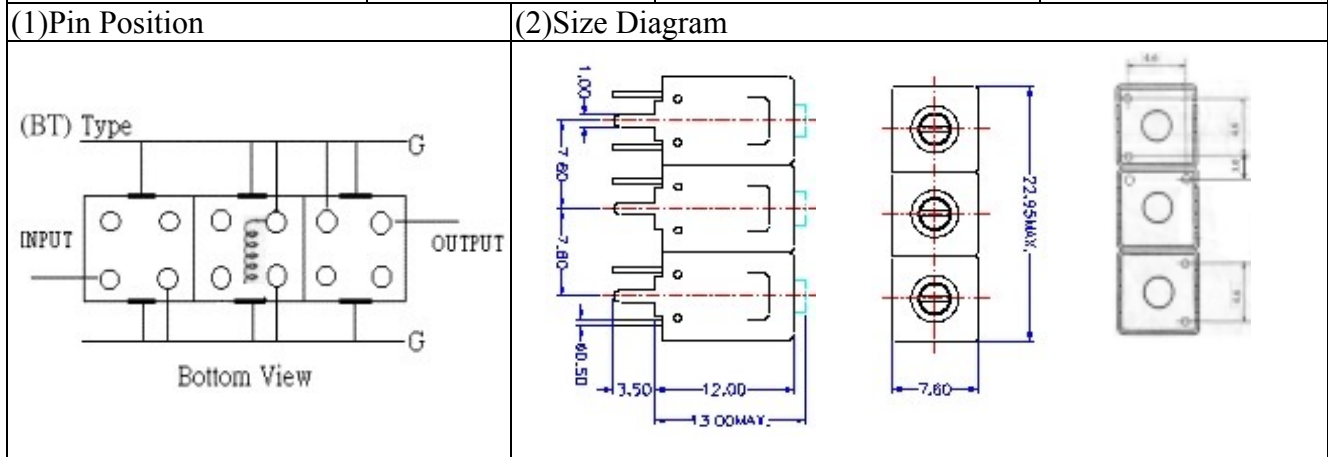


# VHF UHF Helical Filter Specification Sheet

Customer Name		Temwell's Part No.	K3BT-410M-16M
Approval No. /dated	20402071DC	Customer's Part No.	
Work Instruction No.	20402071DC	Date	Feb.27.2004



### (3) Electric Characteristic

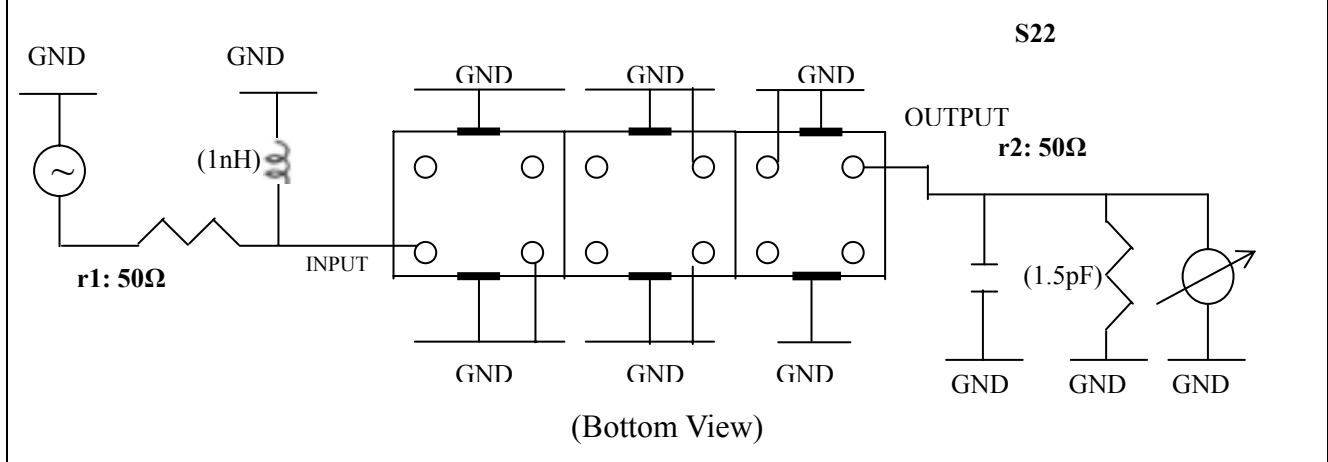
Item	Specify	
Center Freq.(Fo ) +/- 0.5 %	410	MHz
Insertion Loss	Typ. 3.0	dB
-3 dB Bandwidth	Typ. 16	MHz
Sensitivity (Attenuation )	Fo - 50 MHz	Typ. 40 dBc
	Fo + 50 MHz	Typ. 30 dBc
	Fo - ( )MHz	Typ. dBc
	Fo +( )MHz	Typ. dBc
Return Loss	Min. 12	dB
Ripple	< 1	dB
Impedance	In / Out : 50 Ω	
(4) Torque for Tuning Screw	> 60gf cm	

### (5) Temperature Condition:

Operating Temperature	0 ~ +60
Storage Temperature	20 ~ +70

### (6) Input Power

(7) Measuring Circuit: Easy to match Impedance S11/S22 50Ω by parallel with about( 1nH) / (1.5pF).

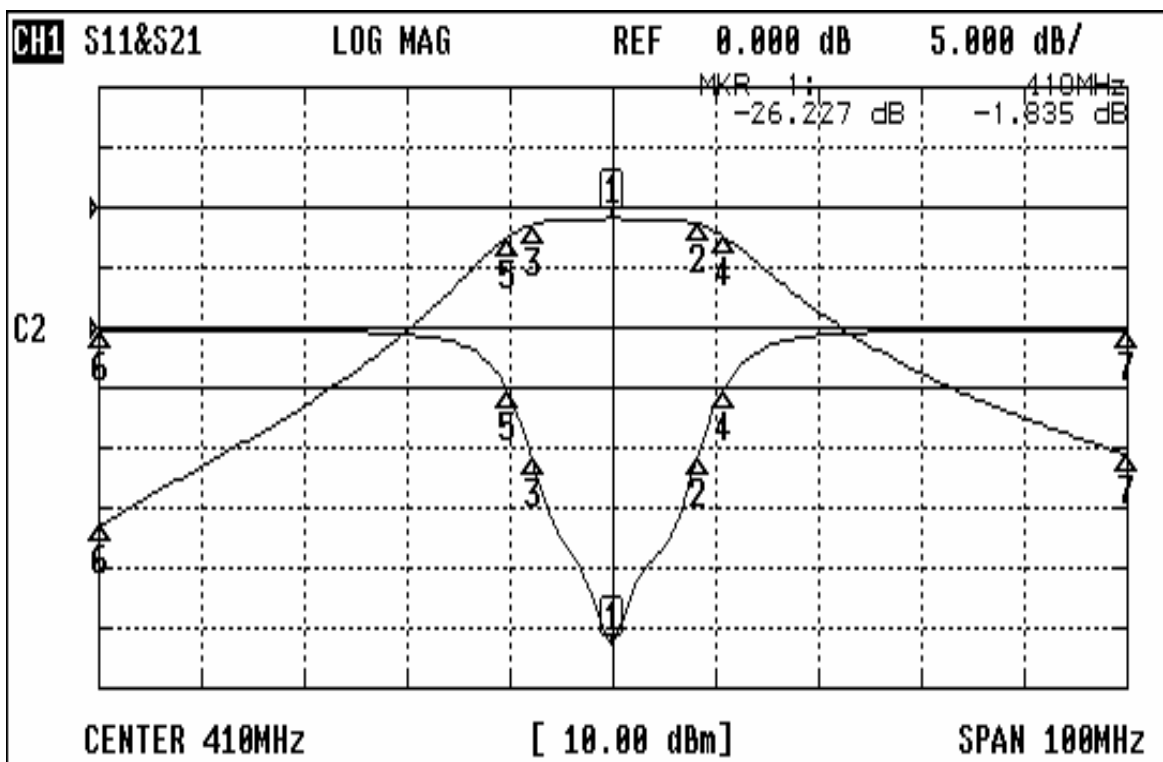


Approval	Supervisor	Designer	Aperture size
	C.S.Chang	Enlan	7H2S(4*7.5)(7.45)F

TEMWELL CORPORATION

# Performance- K3BT-410M-16M

20402071DC



## CH1 MARKER LIST

1:	410.000MHz	-26.227 dB	-1.835 dB
2:	418.333MHz	-10.675 dB	-2.812 dB
3:	402.250MHz	-10.982 dB	-2.838 dB
4:	420.833MHz	-5.151 dB	-4.824 dB
5:	399.850MHz	-5.318 dB	-4.867 dB
6:	360.000MHz	-0.156 dB	-53.039 dB
7:	460.000MHz	-0.163 dB	-41.139 dB
8:			
9:			
10:			