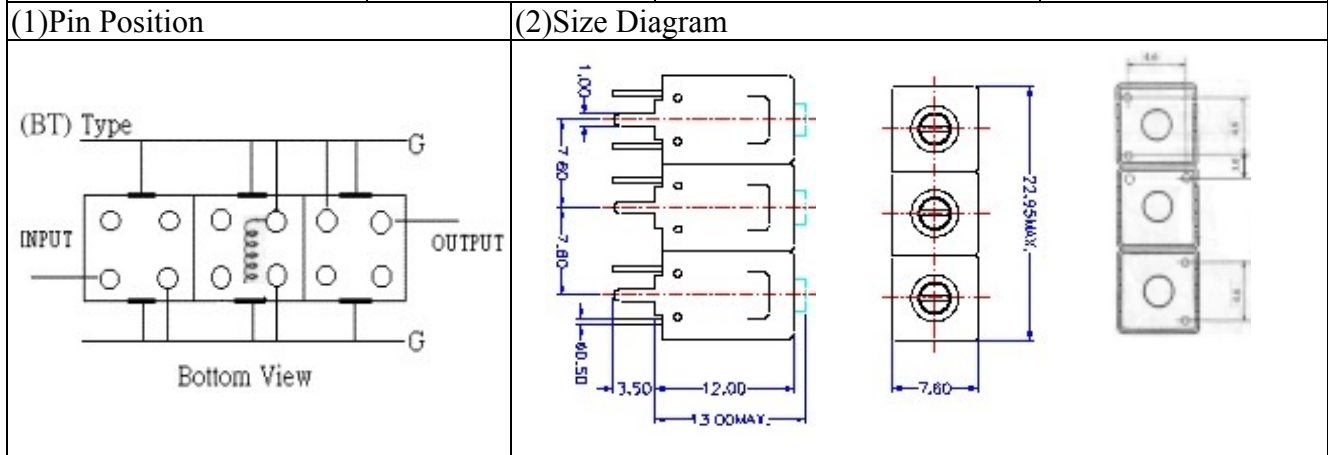


# VHF UHF Helical Filter Specification Sheet

Customer Name		Temwell's Part No.	K3BT-435M-20M
Approval No. /dated	0904140CD	Customer's Part No.	K3BT 435M
Work Instruction No.	200904140CD	Date	APR.28.2009



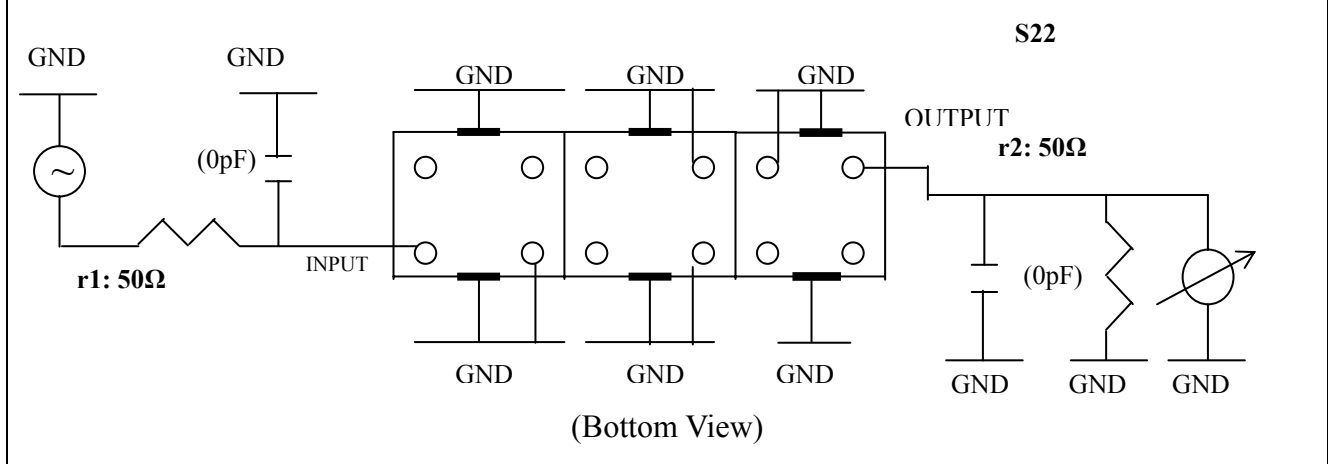
(3) Electric Characteristic	
Item	Specify
Center Freq.(Fo ) +/- 0.5 %	435 MHz
Insertion Loss	Typ. 3.0 dB
-3 dB Bandwidth	Typ. 20 MHz
Sensitivity (Attenuation )	Fo - 50 MHz    Typ. 49 dBc
	Fo + 50 MHz    Typ. 34 dBc
	Fo - ( )MHz    Typ. dBc
	Fo +( )MHz    Typ. dBc
Return Loss	Min. 12 dB
Ripple	< 1 dB
Impedance	In / Out : 50 Ω

(4) Torque for Tuning Screw > 100gf cm

(5) Temperature Condition:	
Operating Temperature	0 ~ +60
Storage Temperature	-20 ~ +70

(6) Input Power > 1Watt

(7) Measuring Circuit: Easy to match Impedance S11/S22 50Ω by parallel with about(0pF) / (0pF).

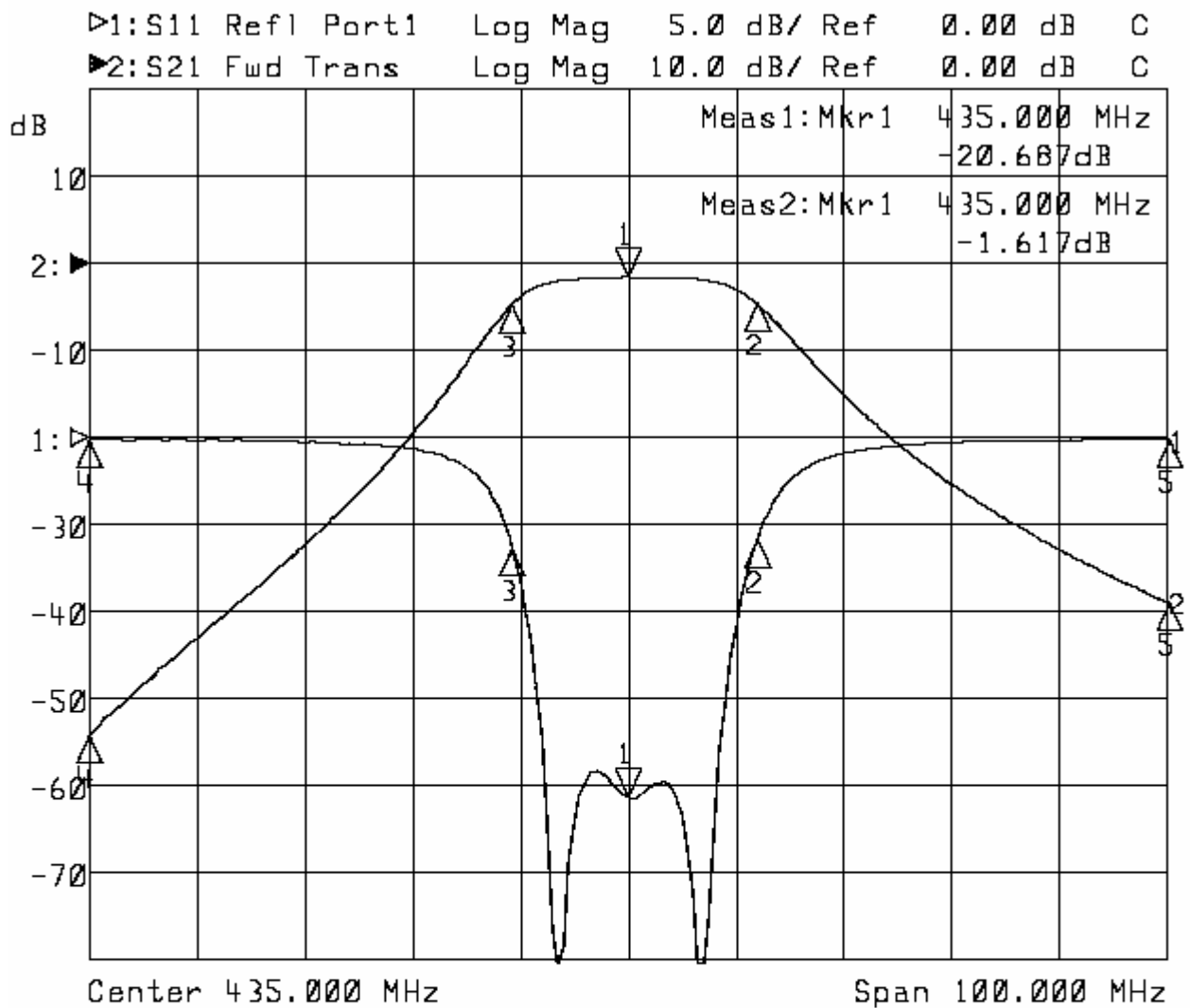


Approval	Supervisor	Designer	Aperture size
C.S.Chang	C.K.Chang	J.F.Lin	7H3S(4*7.5)(7.57) 7H046LB4.3 聚 3

TEMWELL CORPORATION

# Performance-K3BT-435M-20M

## 200904140CD



1: Mkr (MHz)	dB	2: Mkr (MHz)	dB
1> 435.0000	-20.687	1> 435.0000	-1.617
2: 446.9333	-5.907	2: 446.9333	-4.621
3: 424.3000	-6.358	3: 424.3000	-4.645
4: 385.0000	-0.120	4: 385.0000	-54.164
5: 485.0000	-0.133	5: 485.0000	-38.977