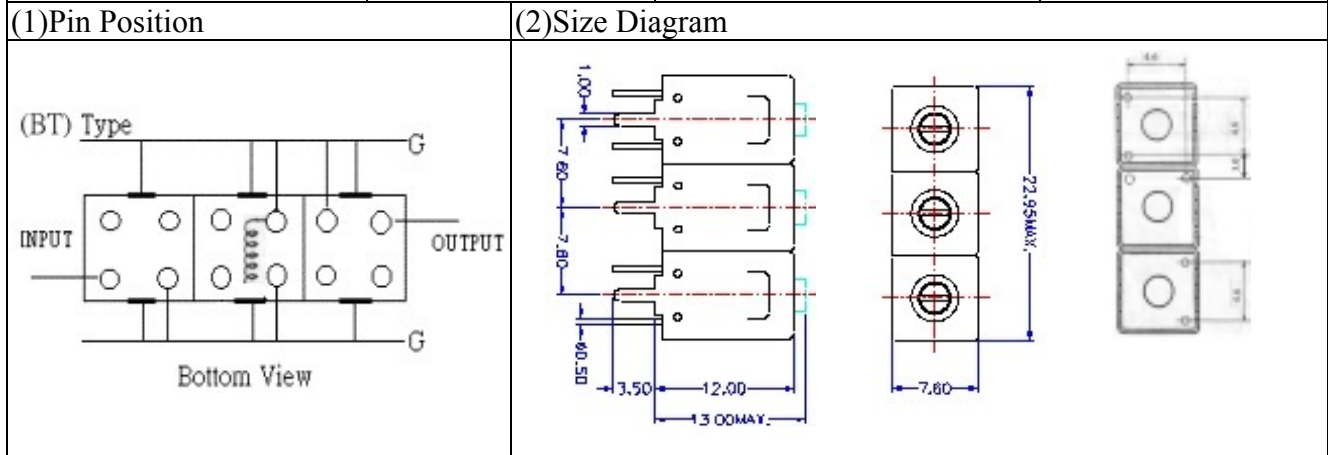


VHF UHF Helical Filter Specification Sheet

Customer Name		Temwell's Part No.	K3BT-455M-20M
Approval No. /dated	0904141CD	Customer's Part No.	K3BT 455M
Work Instruction No.	200904141CD	Date	Jun.25.2009



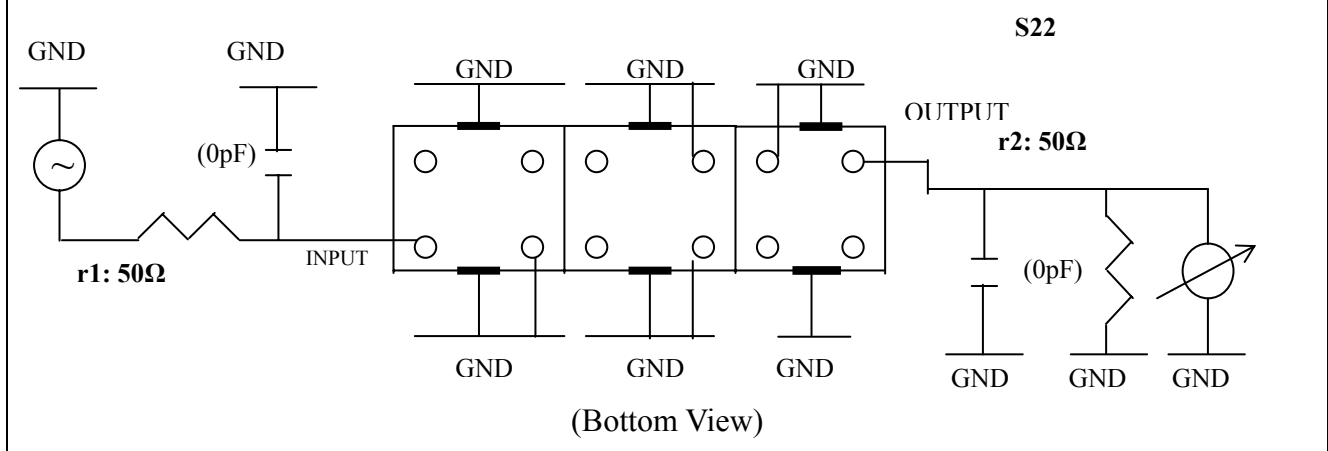
(3) Electric Characteristic	
Item	Specify
Center Freq.(Fo) +/- 0.5 %	455 MHz
Insertion Loss	Typ. 3.5 dB
-3 dB Bandwidth	Typ. 20 MHz
Sensitivity (Attenuation)	Fo - 50 MHz Typ. 52 dBc
	Fo + 50 MHz Typ. 29 dBc
	Fo - ()MHz Typ. dBc
	Fo +()MHz Typ. dBc
Return Loss	Min. 12 dB
Ripple	< 1 dB
Impedance	In / Out : 50 Ω

(4) Torque for Tuning Screw > 100gf cm

(5) Temperature Condition:	
Operating Temperature	0 ~ +60
Storage Temperature	-20 ~ +70

(6) Input Power > 1Watt

(7) Measuring Circuit: Easy to match Impedance S11/S22 50Ω by parallel with about(0pF) / (0pF).

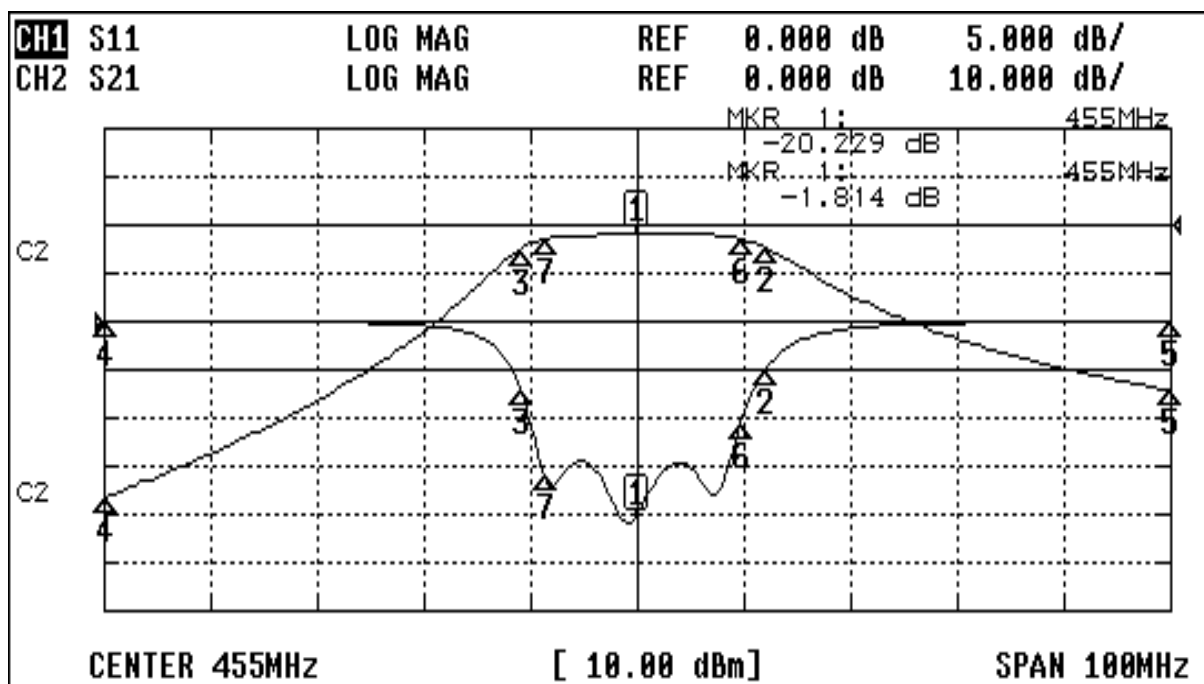


Approval	Supervisor	Designer	Aperture size
C.S.Chang	C.K.Chang	W.W.Wang	7H3s(4*7.5)(7.57) 7H046RB4

TEMWELL CORPORATION

Performance-K3BT-455M-20M

200904141CD



CH1 MARKER LIST		
1	455.000MHz	-20.220 dB
2	467.166MHz	-4.800 dB
3	444.166MHz	-7.180 dB
4	405.000MHz	0.000 dB
5	505.000MHz	0.000 dB
6	464.750MHz	-10.590 dB
7	446.333MHz	-16.061 dB

CH2 MARKER LIST		
1	455.000MHz	-1.814 dB
2	467.166MHz	-4.800 dB
3	444.166MHz	-4.800 dB
4	405.000MHz	-7.119 dB
5	505.000MHz	-4.255 dB
6	464.750MHz	-2.842 dB
7	446.333MHz	-2.877 dB