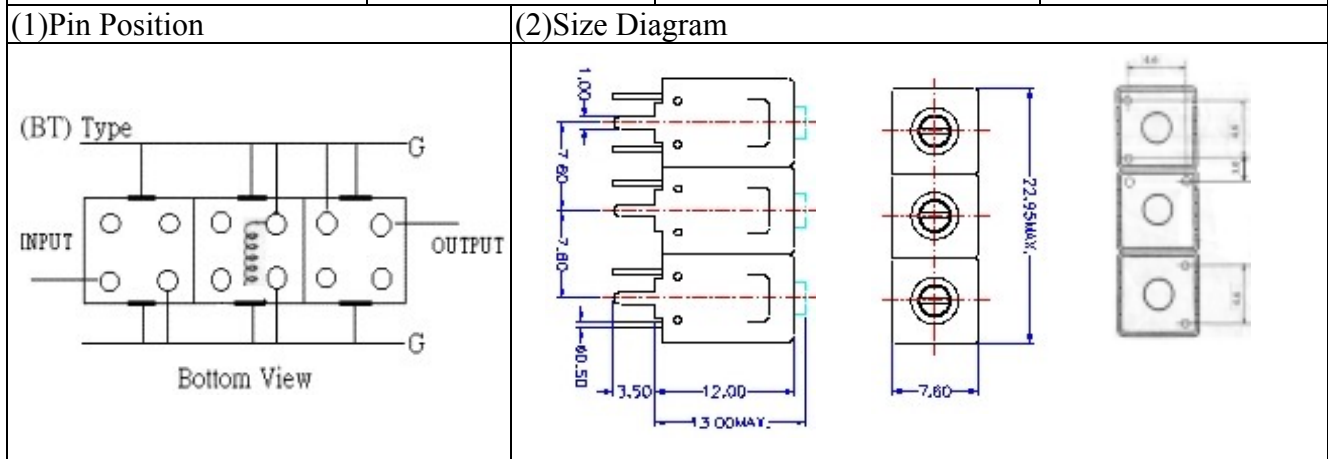
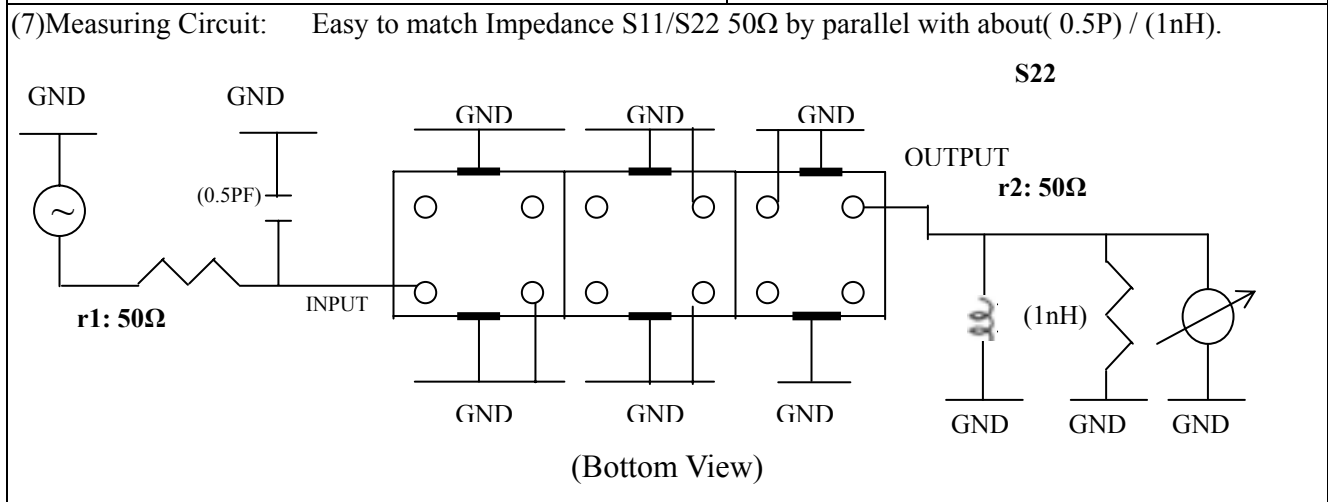


# VHF UHF Helical Filter Specification Sheet

Customer Name		Temwell's Part No.	K3BT-500M-16M
Approval No. /dated	20402074DC	Customer's Part No.	
Work Instruction No.	20402074DC	Date	Feb.27.2004



(3) Electric Characteristic		Item	Specify
Center Freq.(Fo ) +/- 0.5 %			500 MHz
Insertion Loss		Typ.	3.0 dB
-3 dB Bandwidth		Typ.	16 MHz
Sensitivity (Attenuation )	Fo - 50 MHz	Typ.	35 dBc
	Fo + 50 MHz	Typ.	30 dBc
	Fo - ( )MHz	Typ.	dBc
	Fo +( )MHz	Typ.	dBc
Return Loss		Min.	12 dB
Ripple			< 1 dB
Impedance			In / Out : 50 Ω
(4) Torque for Tuning Screw			> 60gf cm
(5) Temperature Condition:			
Operating Temperature			0 ~ +60
Storage Temperature			20 ~ +70
(6) Input Power			> 1Watt



Approval	Supervisor	Designer	Aperture size
	C.S.Chang	Enlan	7H3(4*6.5)(6.58)F

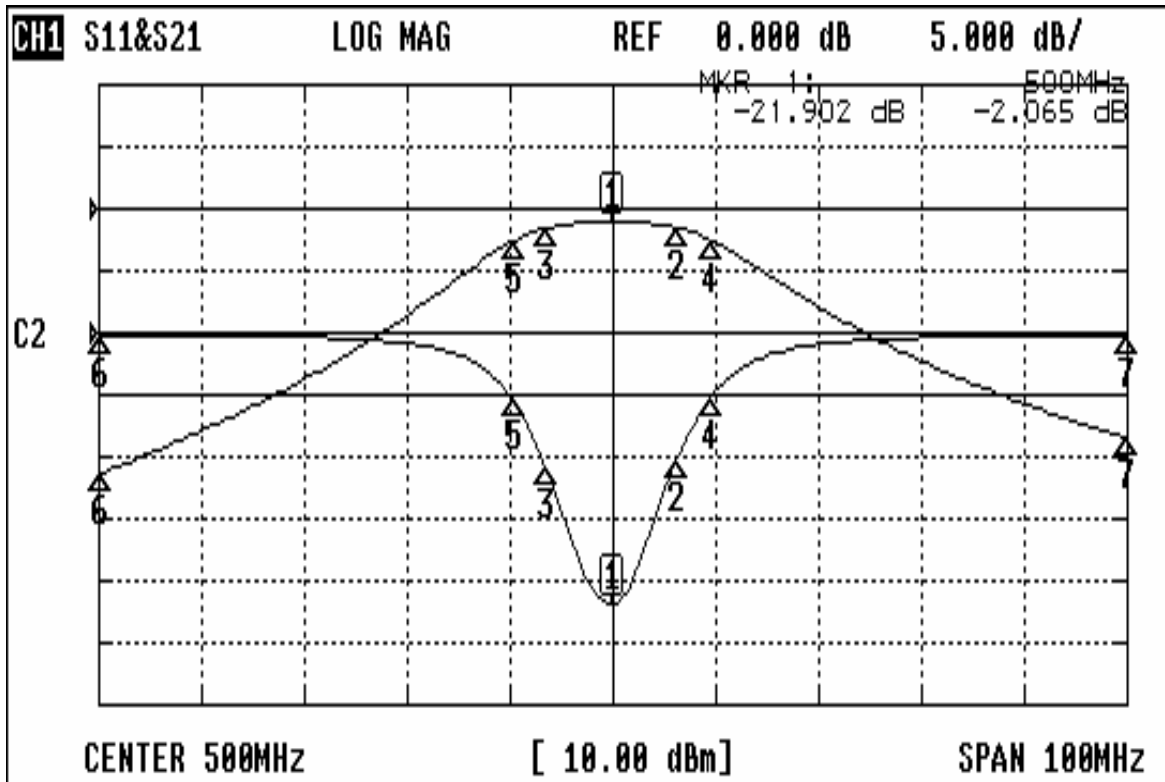
TEMWELL CORPORATION

TEMWELL

Form10-7H3BT Vision D

# Performance- K3BT-500M-16M

20402074DC



## CH1 MARKER LIST

1:	500.000MHz	-21.895 dB	-2.064 dB
2:	506.250MHz	-10.317 dB	-3.042 dB
3:	493.583MHz	-10.872 dB	-3.087 dB
4:	509.500MHz	-5.346 dB	-5.002 dB
5:	490.416MHz	-5.539 dB	-5.897 dB
6:	450.000MHz	-0.138 dB	-42.835 dB
7:	550.000MHz	-0.178 dB	-37.052 dB
8:			
9:			
10:			