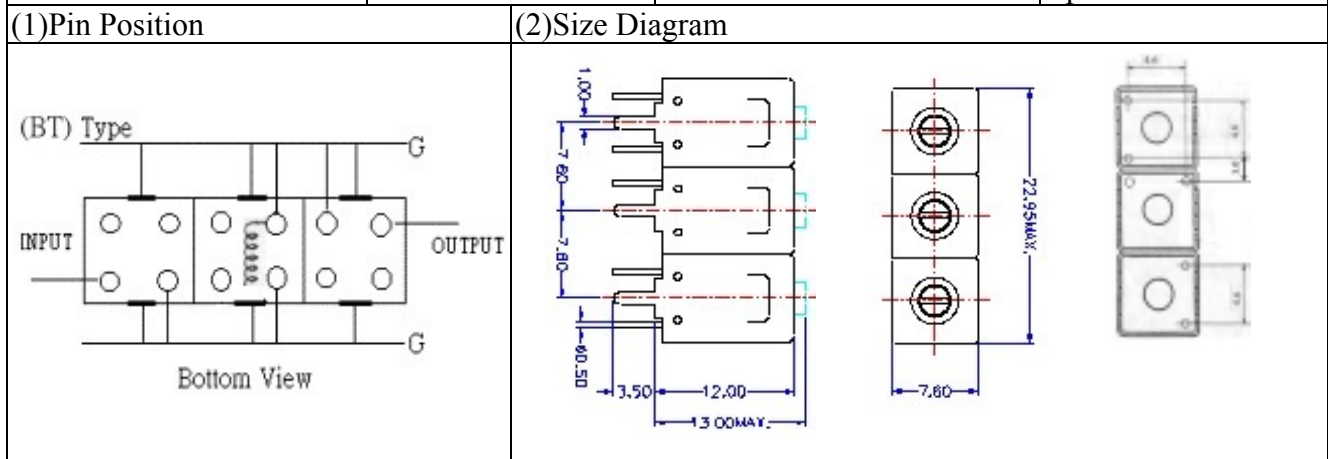


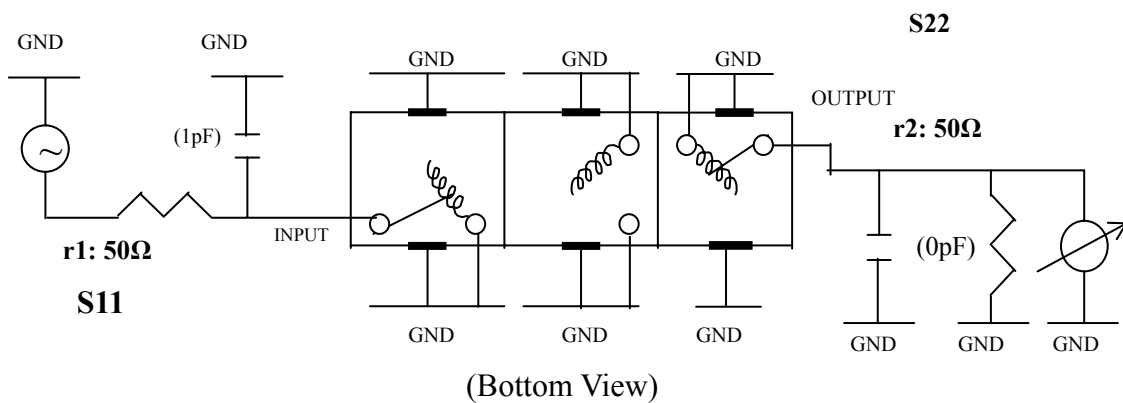
VHF UHF Helical Filter Specification Sheet

Customer Name		Temwell's Part No.	K3BT-880M-25M
Approval No. /dated	20404065DC	Customer's Part No.	
Work Instruction No.	20404065DC	Date	Apr.23.2004



(3) Electric Characteristic			
Item		Specify	
Center Freq.(Fo) +/- 0.5 %		880	MHz
Insertion Loss		Typ. 3.5	dB
-3 dB Bandwidth		Typ. 25	MHz
Sensitivity (Attenuation)	Fo - 40 MHz	Typ. 16	dBc
	Fo + 40 MHz	Typ. 10	dBc
	Fo - ()MHz	Typ.	dBc
	Fo +()MHz	Typ.	dBc
Return Loss		Min. 12	dB
Ripple		< 1	dB
Impedance		In / Out : 50 Ω	
(4) Torque for Tuning Screw		> 60gf cm	
(5) Temperature Condition:			
Operating Temperature		0 ~ +60	
Storage Temperature		-20 ~ +70	
(6) Input Power		> 1Watt	

(7) Measuring Circuit: Easy to match Impedance S11/S22 50Ω/ by parallel with about(0~1pF) / (0pF).



Approval	Supervisor	Designer	Aperture size
	C.S.Chang	P.H.Ching	7H3(4*4.65)(4.68)

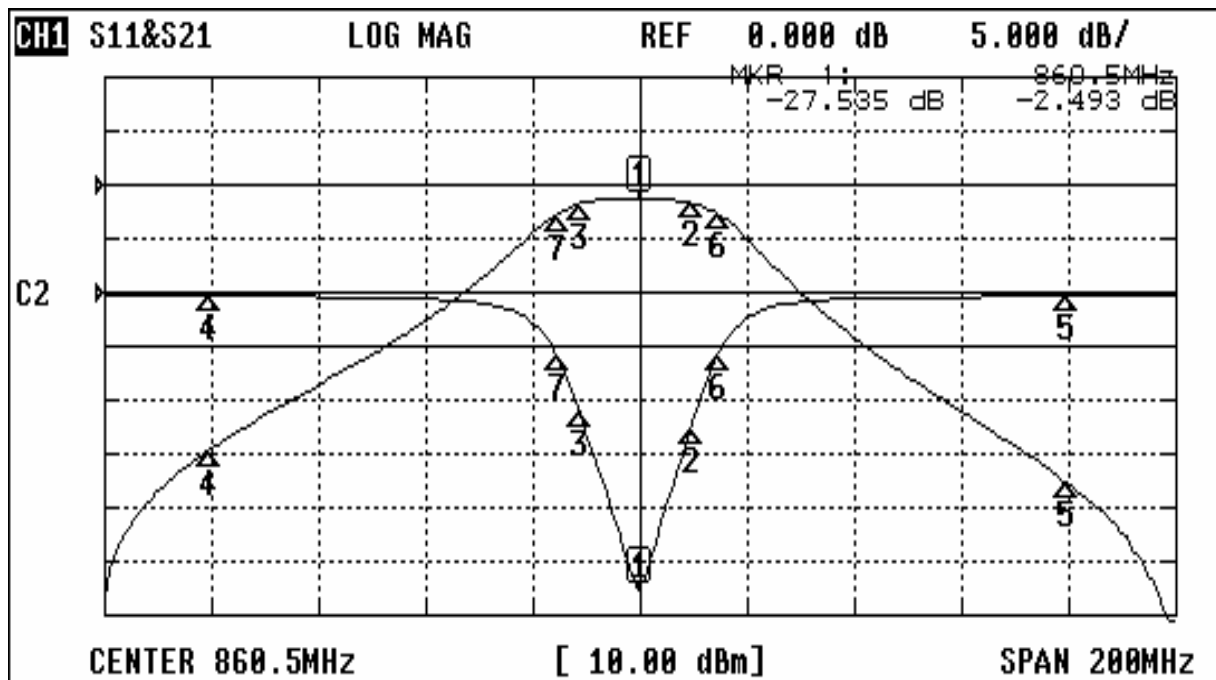
TEMWELL CORPORATION

TEMWELL

Form10-7H3BT Vision D

Performance-K3BT-880M-25M

20404065DC



CH1 MARKER LIST

1:	860.500MHz	-27.551 dB	-2.491 dB
2:	870.166MHz	-12.661 dB	-3.409 dB
3:	849.333MHz	-11.124 dB	-3.411 dB
4:	780.000MHz	-0.331 dB	-49.352 dB
5:	940.000MHz	-0.372 dB	-55.433 dB
6:	875.333MHz	-5.619 dB	-5.490 dB
7:	845.000MHz	-5.751 dB	-5.456 dB
8:			
9:			
10:			