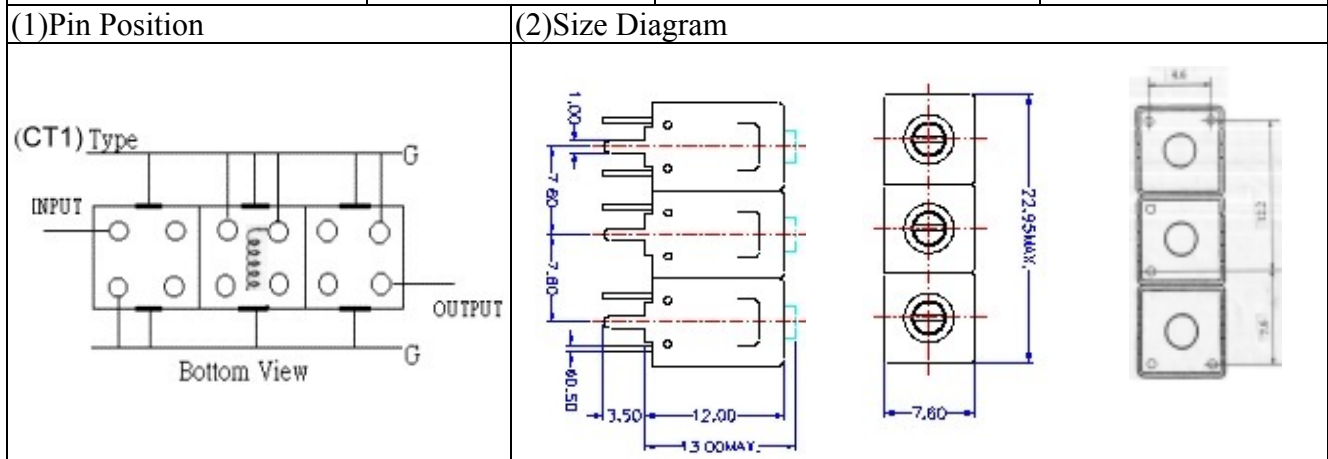
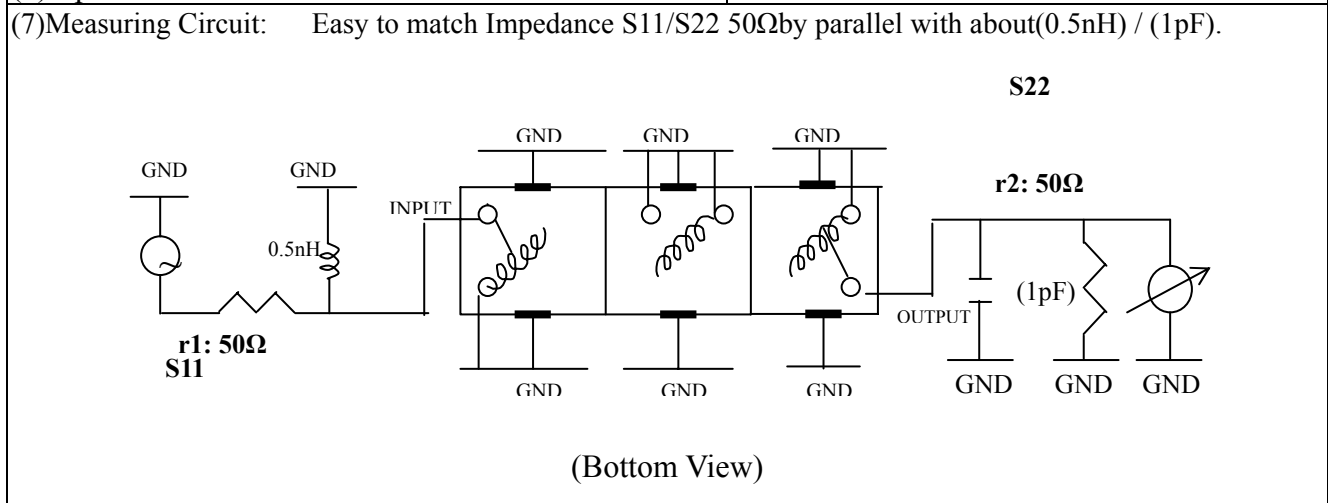


# VHF UHF Helical Filter Specification Sheet

Customer Name		Temwell's Part No.	K3CT1-833M-21M
Approval No. /dated	20402077DC	Customer's Part No.	
Work Instruction No.	20402077DC	Date	Mar.01.2004



(3) Electric Characteristic	
Item	Specify
Center Freq.(Fo ) +/- 0.5 %	833 MHz
Insertion Loss	Typ. 3.0 dB
-3 dB Bandwidth	Typ. 21 MHz
Sensitivity (Attenuation )	Fo - 50 MHz Typ. 30 dB
	Fo + 50 MHz Typ. 20 dB
	Fo - ( )MHz Typ. dB
	Fo +( )MHz Typ. dB
Return Loss	Min. 12 dB
Ripple	< 1 dB
Impedance	In / Out : 50 Ω
(4) Torque for Tuning Screw	> 60gf cm
(5) Temperature Condition:	
Operating Temperature	0 ~ +60
Storage Temperature	-20 ~ +70
(6) Input Power	> 1Watt

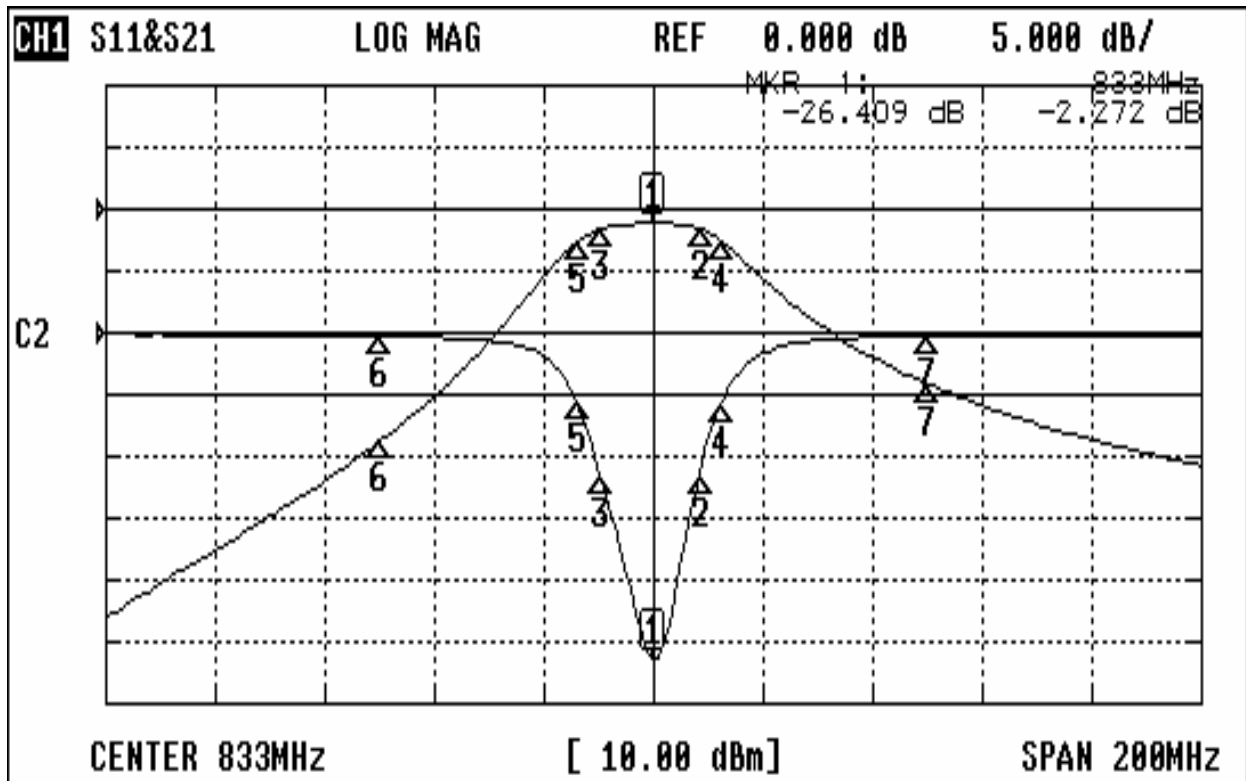


Approval	Supervisor	Designer	Aperture size
	C.S.Chang	Enlan	7H3(4*5.5)(5.6)F

TEMWELL CORPORATION

# Performance-K3CT1-833M-21M

20402077DC



## CH1 MARKER LIST

1:	833.000MHz	-26.409 dB	-2.272 dB
2:	841.500MHz	-11.343 dB	-3.251 dB
3:	823.500MHz	-11.487 dB	-3.214 dB
4:	845.500MHz	-5.666 dB	-5.256 dB
5:	819.166MHz	-5.687 dB	-5.231 dB
6:	783.000MHz	-0.271 dB	-37.632 dB
7:	883.000MHz	-0.268 dB	-28.245 dB
8:			
9:			
10:			