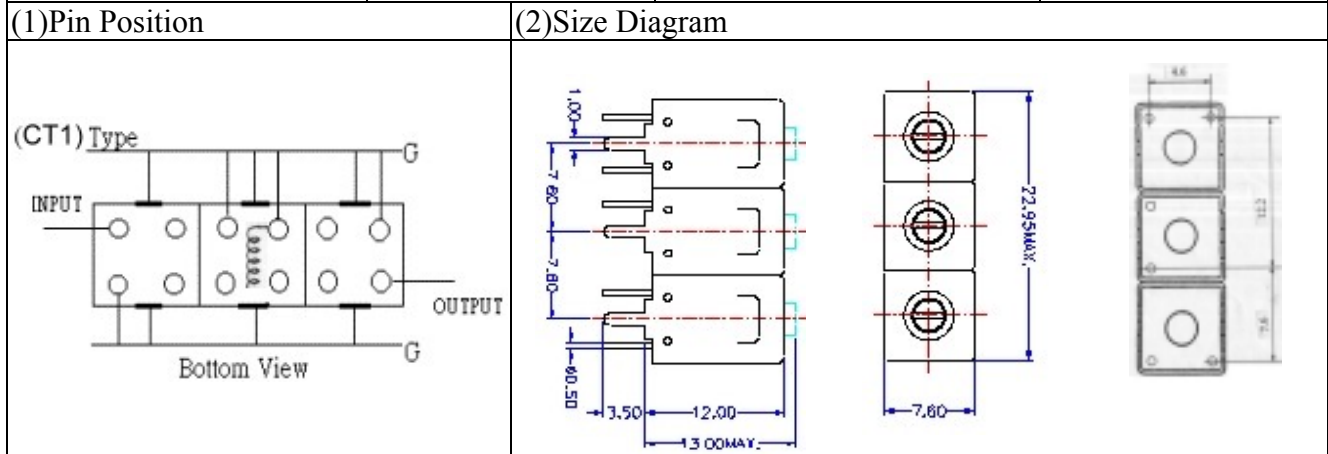


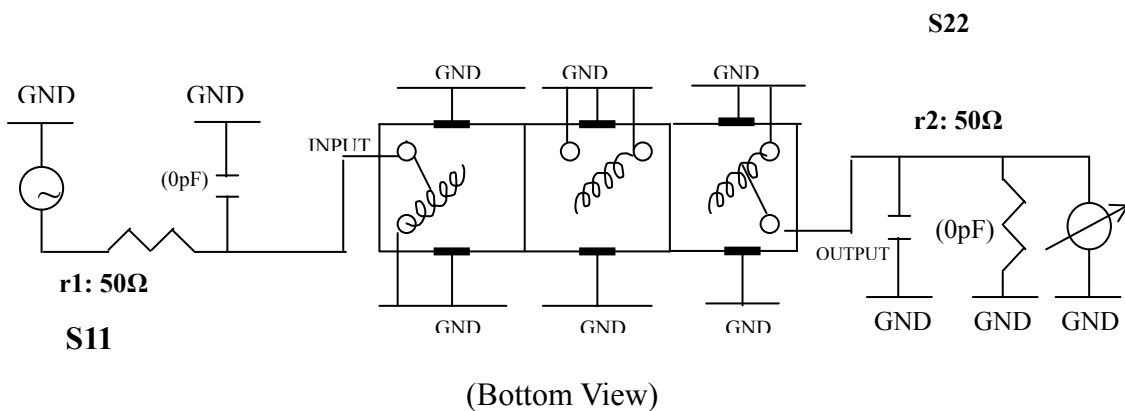
# VHF UHF Helical Filter Specification Sheet

Customer Name		Temwell's Part No.	K3CT1-904M-12M
Approval No. /dated	0907087CD	Customer's Print name.	K3CT1 904M
Work Instruction No.	200907087CD	Date	Jul.24.2009



(3) Electric Characteristic	
Item	Specify
Center Freq.(Fo) +/- 0.5 %	904 MHz
Insertion Loss	Typ. 4.0 dB
-3 dB Bandwidth	Typ. 12 MHz
Sensitivity (Attenuation)	Fo - 60 MHz    Typ. 40 dBc
	Fo + 60 MHz    Typ. 30 dBc
	Fo - ( )MHz    Typ. dBc
	Fo +( )MHz    Typ. dBc
Return Loss	Min. 12 dB
Ripple	< 1 dB
Impedance	In / Out : 50 Ω
(4) Torque for Tuning Screw	> 100gf cm
(5) Temperature Condition:	
Operating Temperature	0 ~ +60
Storage Temperature	-20 ~ +70
(6) Input Power	> 1Watt

(7) Measuring Circuit: Easy to match Impedance S11/S22 50Ω/ by parallel with about(0pF) / (0pF).

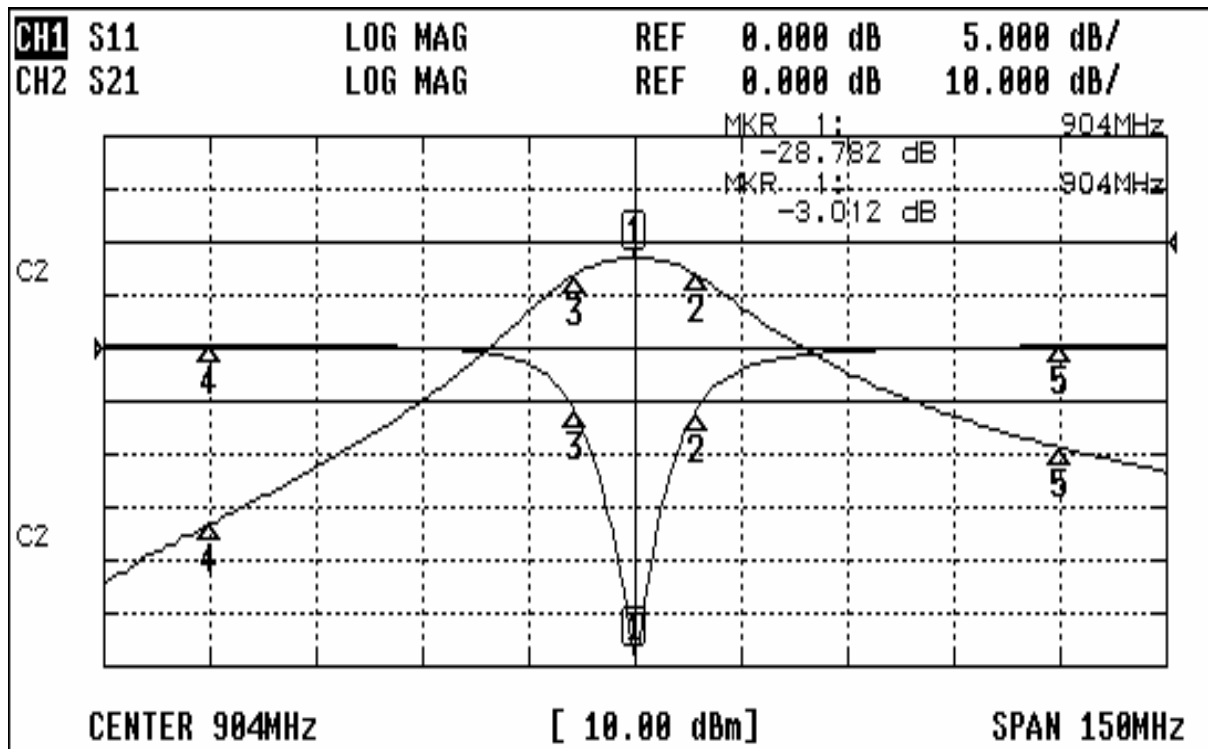


Approval C.Y.Chang	Supervisor C.K.Chang	Designer C.H.Yeh	Aperture size 7H3S(4*4.65)(4.70) 7H046RB4
-----------------------	-------------------------	---------------------	---

TEMWELL CORPORATION

# Performance-K3CT1-904M-12M

## 200907087CD



### CH1 MARKER LIST

1:	904.000MHz	-28.770 dB
2:	912.625MHz	-1.991 dB
3:	915.500MHz	-1.920 dB
4:	944.000MHz	0.304 dB
5:	964.000MHz	0.194 dB

### CH2 MARKER LIST

1:	904.000MHz	-3.012 dB
2:	912.625MHz	-1.095 dB
3:	915.500MHz	-1.066 dB
4:	944.000MHz	-2.100 dB
5:	964.000MHz	-3.682 dB