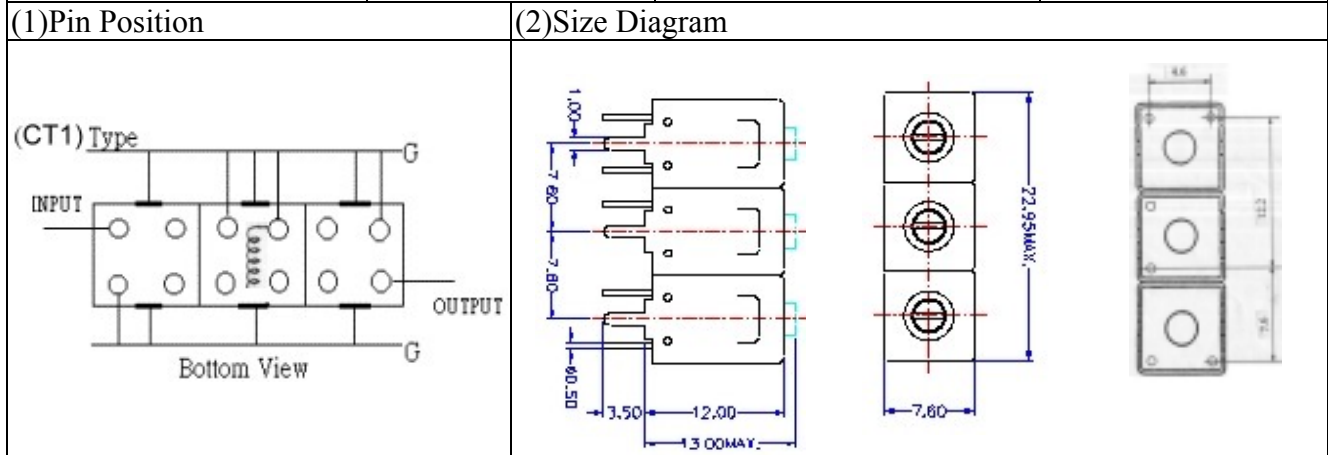


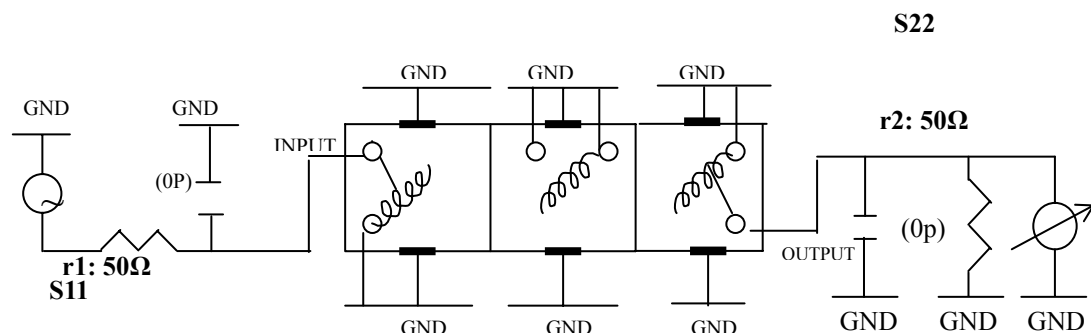
# VHF UHF Helical Filter Specification Sheet

Customer Name		Temwell's Part No.	K3CT1-904M-20M
Approval No. /dated	200812074C	Temwell's Print Name.	K3CT1 904M
Work Instruction No.	200812074C	Date	Dec.29.2008



(3) Electric Characteristic		Item	Specify
		Center Freq.(Fo ) +/- 0.5 %	904 MHz
		Insertion Loss	Typ. 3.5 dB
		-3 dB Bandwidth	Typ. 20 MHz
Sensitivity (Attenuation)	Fo - 60 MHz	Typ. 35 dB	
	Fo + 60 MHz	Typ. 28 dB	
	Fo - ( )MHz	Typ. dB	
	Fo +( )MHz	Typ. dB	
		Return Loss	Min. 12 dB
		Ripple	< 1 dB
		Impedance	In / Out : 50 Ω
(4) Torque for Tuning Screw		> 100gf cm	
(5) Temperature Condition:			
Operating Temperature		0 ~ +60	
Storage Temperature		-20 ~ +70	
(6) Input Power		> 1 Watt	

(7) Measuring Circuit: Easy to match Impedance S11/S22 50Ω by parallel with about (0p) / (0p).



(Bottom View)

Approval	Supervisor	Designer	Aperture size
C.Y.Chang	C.S.Chang	W.W.Wang	7H3S(4*5.5)F(5.61) 7H046RB4

TEMWELL CORPORATION

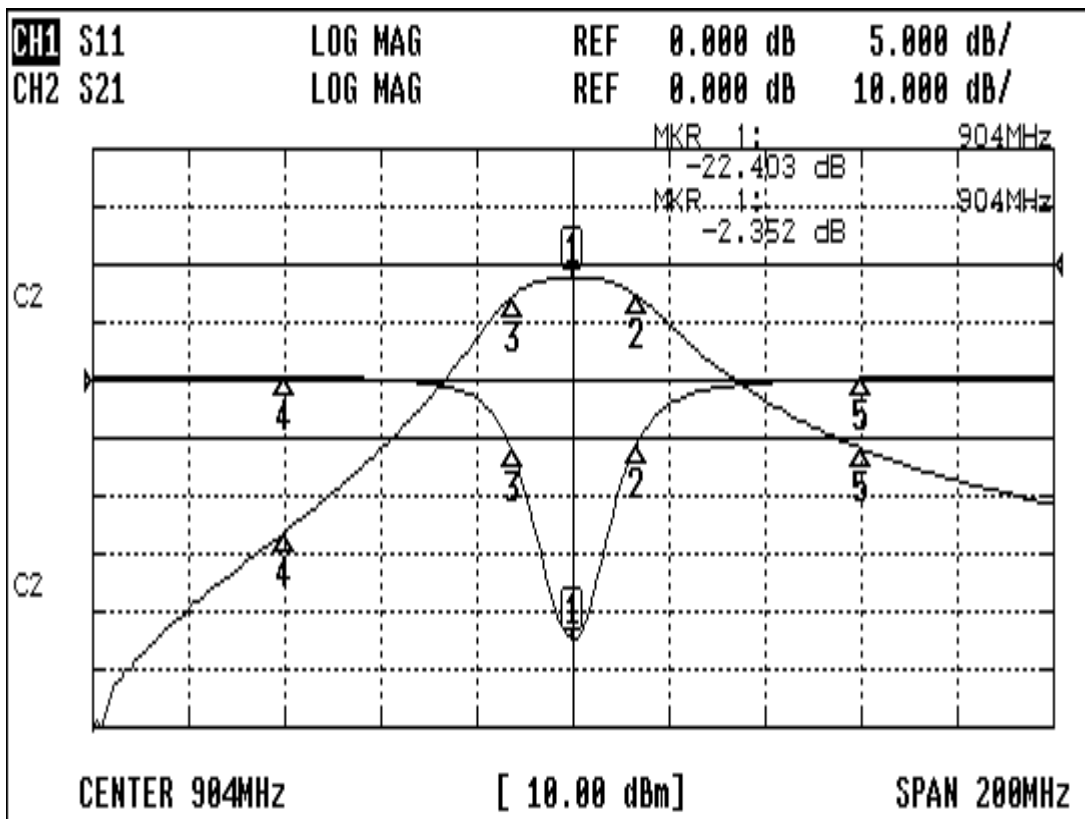
TEMWELL

Form10-7H3CT1 Vision D

RP(W.W.W)

# Performance-K3CT1-904M-20M

## 200812074C



### CH1 MARKER LIST

1:	904.000MHz	-22.403 dB
2:	917.333MHz	-5.549 dB
3:	891.500MHz	-6.072 dB
4:	844.000MHz	0.278 dB
5:	964.000MHz	0.148 dB
6:		
7:		
8:		
9:		
10:		

### CH2 MARKER LIST

1:	904.000MHz	-2.356 dB
2:	917.333MHz	-5.278 dB
3:	891.500MHz	-5.386 dB
4:	844.000MHz	-46.186 dB
5:	964.000MHz	-31.776 dB
6:		
7:		
8:		
9:		
10:		