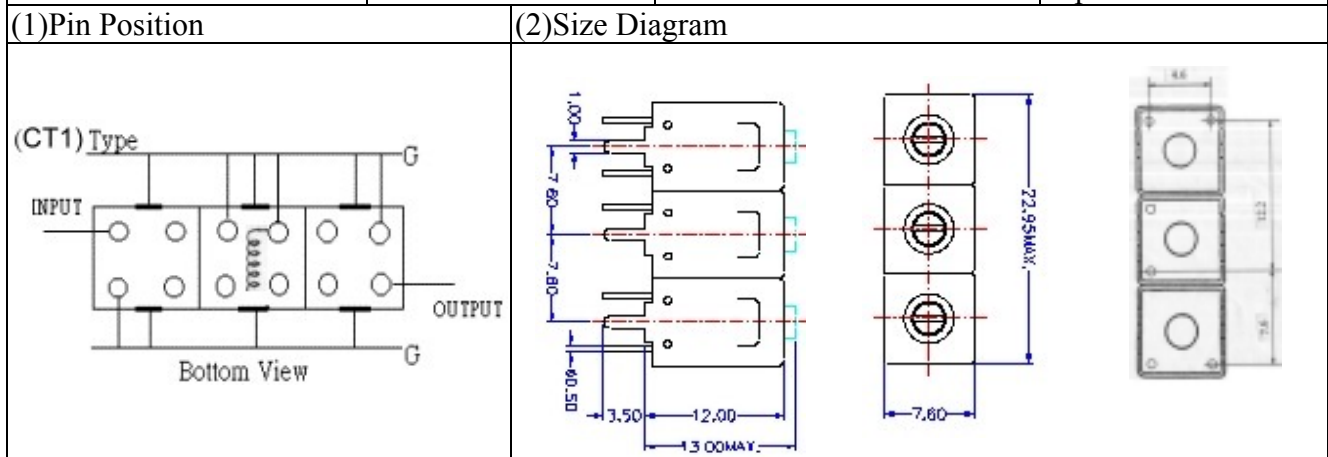


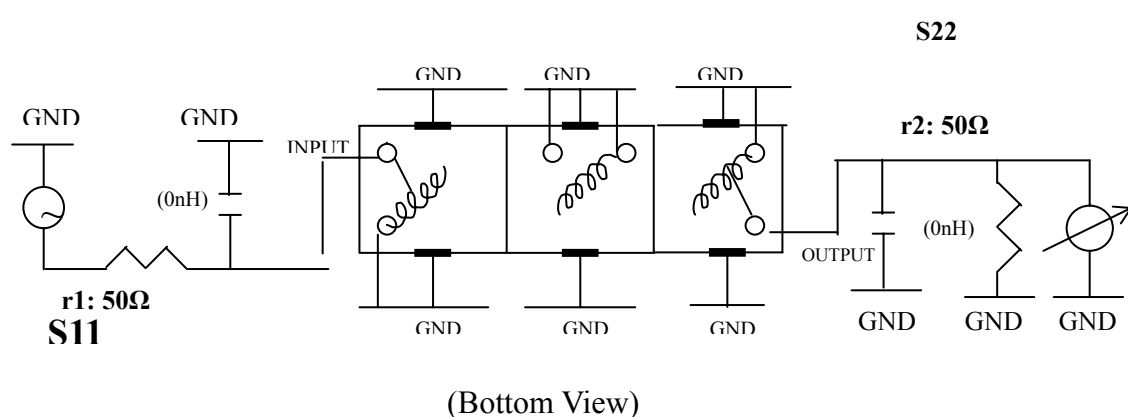
VHF UHF Helical Filter Specification Sheet

Customer Name		Temwell's Part No.	K3CT1-960M-12M
Approval No. /dated	0908097CD	Temwell's print name.	K3CT1 960M
Work Instruction No.	200908097CD	Date	Sep.25.2009



(3)Electric Charasteric		
Item	Specify	
Center Freq.(Fo) +/- 0.5 %	960 MHz	
Insertion Loss	Typ. 5.0 dB	
-3 dB Bandwidth	Typ. 12 MHz	
Sensitivity (Attenuation)	Fo -(90) MHz	Typ. 55 dBc
	Fo +(90)MHz	Typ. 45 dBc
	Fo -()MHz	Typ. dBc
	Fo +()MHz	Typ. dBc
Return Loss	Min. 12 dB	
Ripple	< 1 dB	
Impedance	In / Out : 50 Ω	
(4)Torque for Tuning Screw	>100gf cm	
(5)Temperature Condition:		
Operating Temperature	-0 ~ +60	
Storage Temperature	-20 ~ +70	
(6)Input Power	> 1Watt	

(7)Measuring Circuit: Easy to match Impedance S11/S22 50Ω by parallel with about(0 nH) / (0 nH).

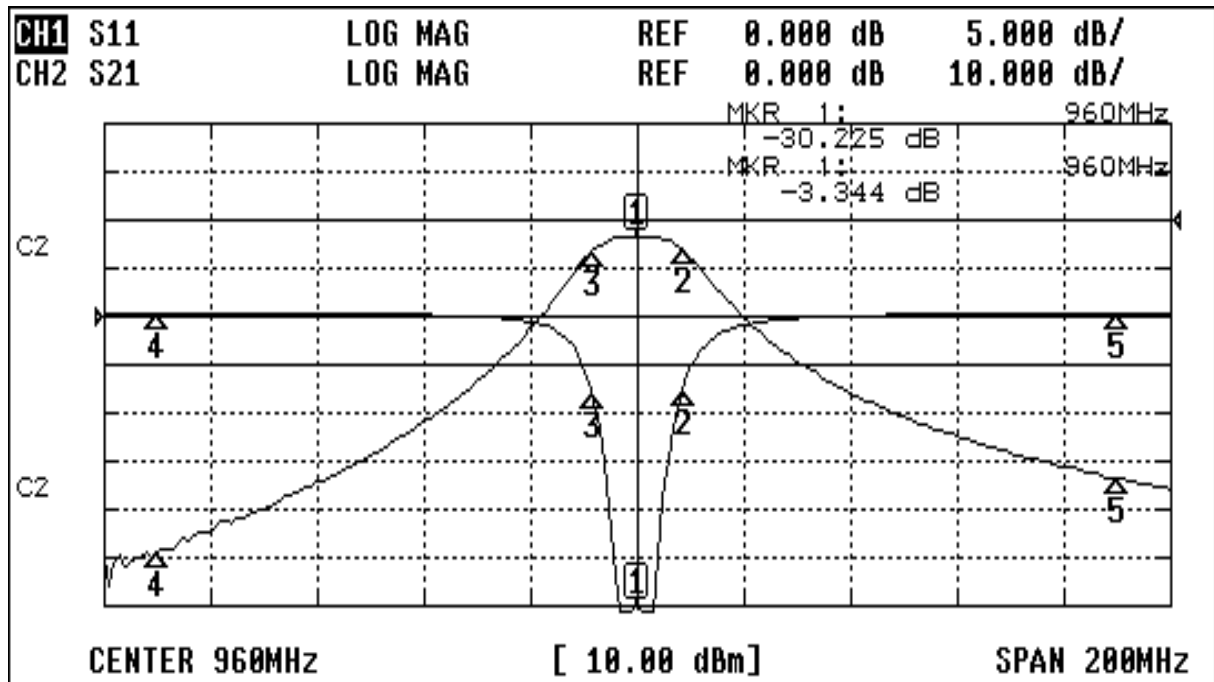


Approval	Supervisor	Designer	Aperture size
C.Y.Chang	C.K.Chang	L.T.I	7H3S(4*4.65)(4.66) 7H046RB4

TEMWELL CORPORATION

Performance-K3CT1-960M-12M

200908097CD



CH1 MARKER LIST			
1	960.0000MHz	-30.225	dB
2	968.6666MHz	-7.553	dB
3	951.6666MHz	-0.084	dB
4	970.0000MHz	0.262	dB
5	1.050000GHz	0.353	dB

CH2 MARKER LIST			
1	960.0000MHz	-30.225	dB
2	968.6666MHz	-7.553	dB
3	951.6666MHz	-0.084	dB
4	970.0000MHz	0.262	dB
5	1.050000GHz	0.353	dB