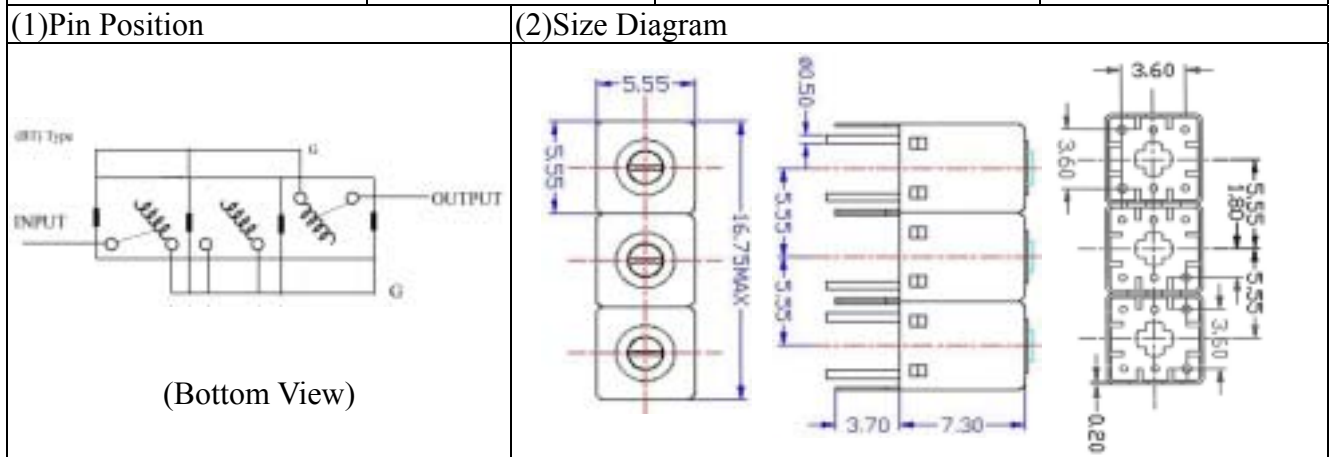


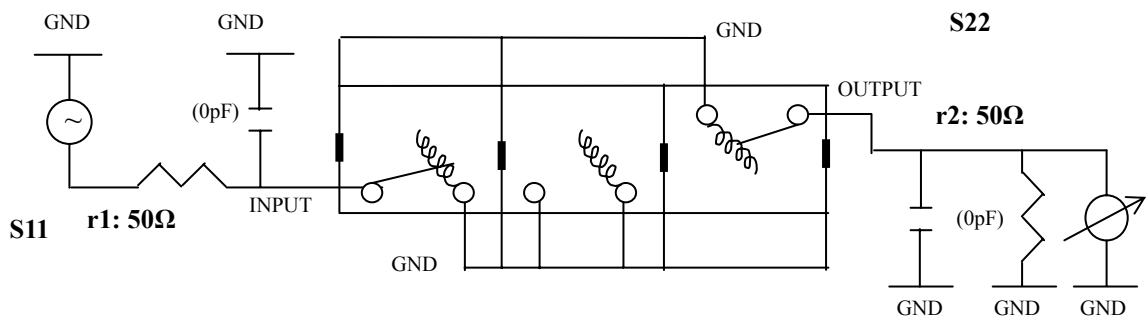
# VHF UHF Helical Filter Specification Sheet

Customer Name		Temwell's Part No.	K3RBT-1010M-20M
Approval No. /dated	0909076CD	Temwell's Print name.	K3RBT 1010M
Work Instruction No.	200909076CD	Date	Nov.30.2009



(3)Electric Charasteric	
Item	Specify
Center Freq.(Fo ) +/- 0.5 %	1010 MHz
Insertion Loss	Typ. 4.0 dB
-3 dB Bandwidth	Typ. 20 MHz
Sensitivity (Attenuation )	Fo - 50 MHz Typ. 18 dBc
	Fo + 50 MHz Typ. 14 dBc
	Fo - ( )MHz Typ. dBc
	Fo +( )MHz Typ. dBc
Return Loss	Min. 12 dB
Ripple	< 1 dB
Impedance	In / Out : 50 Ω
(4)Torque for Tuning Screw	> 60gf cm
(5)Temperature Condition:	
Operating Temperature	0 ~ +60
Storage Temperature	-20 ~ +70
(6)Input Power	> 0.5Watt

(7)Measuring Circuit: Easy to match Impedance S11/S22 50Ω by parallel with about( 0pF) / (0pF).



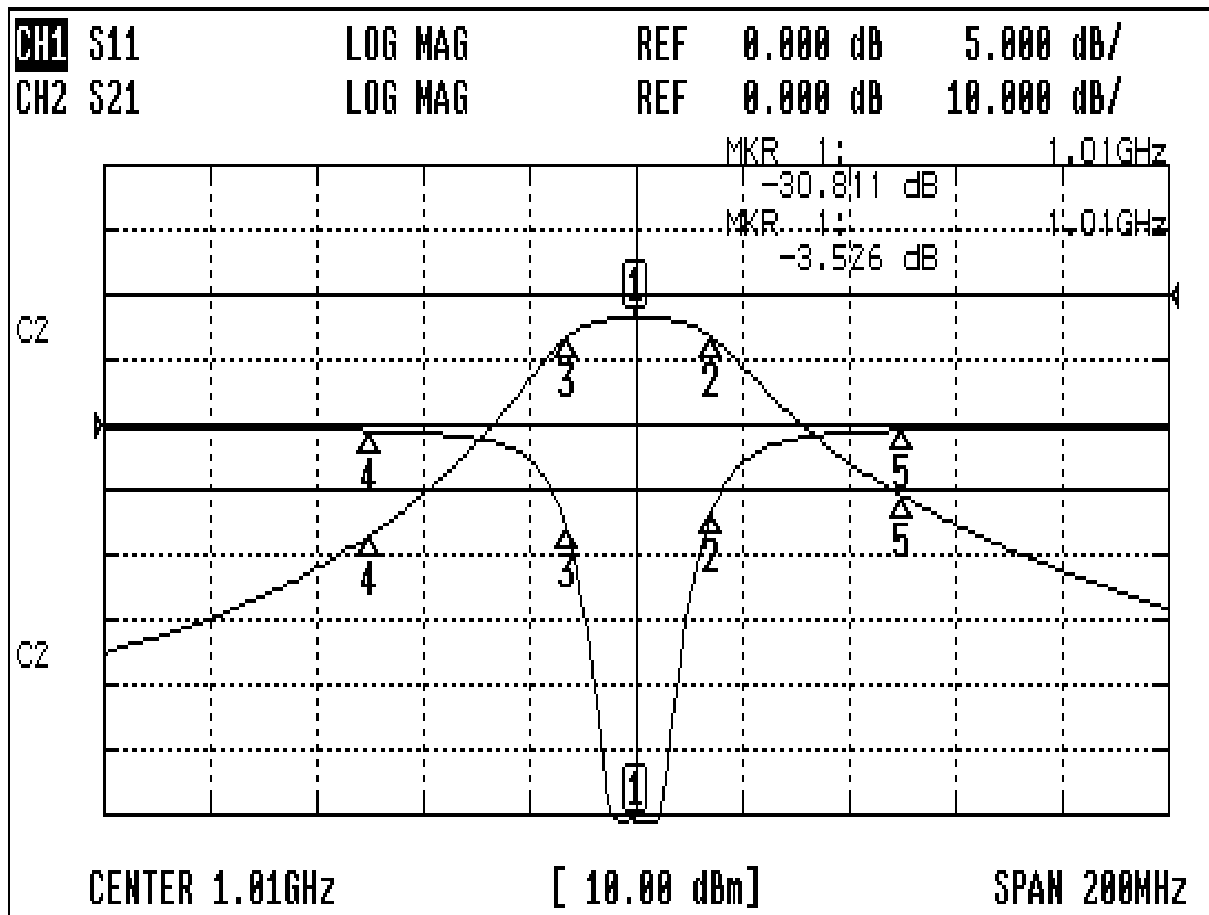
(Bottom View)

Approval C.Y.Chang	Supervisor C.K.Chang	Designer W.W.Wang	Aperture size 5R3S(3.8*3.7)(3.77) 5HW024RB3
-----------------------	-------------------------	----------------------	---

TEMWELL CORPORATION

# Performance-K3RBT-1010M-20M

## 200909076CD



### CH1 MARKER LIST

Marker	Frequency	Magnitude
1	1.010 000GHz	-30.811 dB
2	1.024 333GHz	-6.839 dB
3	997.000MHz	-7.865 dB
4	960.000MHz	-0.452 dB
5	1.060 000GHz	-0.412 dB

### CH2 MARKER LIST

Marker	Frequency	Magnitude
1	1.010 000GHz	-3.526 dB
2	1.024 333GHz	-6.519 dB
3	997.000MHz	-6.518 dB
4	960.000MHz	-36.944 dB
5	1.060 000GHz	-30.949 dB